



## Legal and Vesting Product Cover Sheet

### ORDER INFORMATION

FILE/ORDER NUMBER:	LL-HCBAT-00322	PRODUCT NAME:	LEGAL AND VESTING
BORROWER NAME(S):	FRANCIS LOOKABILL		
PROPERTY ADDRESS:	5878 W COUNTY RD 450 S		
CITY, STATE AND COUNTY:	COATESVILLE , INDIANA, HENDRICKS		

### SEARCH INFORMATION

SEARCH DATE:	05/15/2024	EFFECTIVE DATE:	05/14/2024
NAME(S) SEARCHED:	FRANCIS LOOKABILL AND KAREN LOOKABILL		
ADDRESS/PARCEL SEARCHED:	5878 W COUNTY RD 450 S, COATESVILLE, INDIANA, 46121		

### ASSESSMENT INFORMATION

COMMENTS:	
-----------	--

### CURRENT OWNER VESTING

FRANCIS DON LOOKABILL AND KAREN SUE LOOKABILL, HUSBAND AND WIFE	
COMMENTS:	

### VESTING DEED

DEED TYPE:	WARRANTY DEED	GRANTOR:	ALAN M. YEAGER AND ABIGAIL L. YEAGER, HUSBAND AND WIFE
DATED DATE:	04/10/2018	GRANTEE:	FRANCIS DON LOOKABILL AND KAREN SUE LOOKABILL, HUSBAND AND WIFE
BOOK/PAGE:	N/A	RECORDED DATE:	04/12/2018
INSTRUMENT NO:	201807555		
COMMENTS:			

### FOR PREAMBLE

CITY/TOWNSHIP/PARISH:	CITY OF COATESVILLE
-----------------------	---------------------

### ADDITIONAL NOTES

### LEGAL DESCRIPTION

THE FOLLOWING DESCRIBED REAL ESTATE IN HENDRICKS COUNTY, INDIANA:

LOT NUMBERED ONE (1) IN MINOR RESIDENTIAL PLAT #078/17, A SUBDIVISION IN CLAY COUNTY, INDIANA, AS PER PLAT THEREOF RECORDED JANUARY 22, 2018 IN PLAT CABINET 8, SLIDE 173, PAGE 2, IN THE OFFICE OF THE RECORDER OF HENDRICKS COUNTY, INDIANA.

32-12-34-170-001.000-023

LOOKABILL, FRANCIS DON & K

5878 W COUNTY ROAD 450 S

511, 1 Family Dwell - Unplatted (0 to 9.9

MINOR PLATS-CLAY/55510

General Information

Parcel Number 32-12-34-170-001.000-023
Local Parcel Number 03-1-34-52W 170-001

Tax ID: 003-134522-170001

Routing Number

Property Class 511
1 Family Dwell - Unplatted (0 to 9.9

Year: 2023

Location Information

County Hendricks
Township CLAY TOWNSHIP
District 023 (Local 003) CLAY TOWNSHIP
School Corp 3335 MILL CREEK COMMUNITY
Neighborhood 5551003 MINOR PLATS-CLAY
Section/Plat 034
Location Address (1) 5878 W COUNTY ROAD 450 S COATESVILLE, IN 46121

Ownership

LOOKABILL, FRANCIS DON & KAREN
5878 W COUNTY ROAD 450 S
COATESVILLE, IN 46121-9539

Legal

MRP 078/17 3.427 AC

Transfer of Ownership

Table with columns: Date, Owner, Doc ID, Code, Book/Page, Adj Sale Price, V/I. Rows include 04/12/2018 and 01/22/2018 transactions.

Notes

5/24/2018 SPLIT: 19/20 SPLIT (E03A) ALL LAND AND IMP FROM 100-011 NOW VOID. JSA

Res

Valuation Records (Work In Progress values are not certified values and are subject to change)

Table with columns: 2023, 2022, 2021, 2020, 2019. Rows include Assessment Year, Reason For Change, As Of Date, Valuation Method, Equalization Factor, Notice Required, Land, Improvement, Total, and various Res (1, 2, 3) categories.

Land Data (Standard Depth: Res 100', CI 100' Base Lot: Res 0' X 0', CI 0' X 0')

Table with columns: Land Type, Pricing Method, Soil ID, Act Front., Size, Factor, Rate, Adj. Rate, Ext. Value, Infl. %, Res Elig %, Market Factor, Value. Rows include 9rr and 91rr.

Zoning

Subdivision

Lot

Market Model X-MINOR PLAT HIGH END

Characteristics

Topography Flood Hazard
Public Utilities ERA
Streets or Roads TIF

Neighborhood Life Cycle Stage Static

Printed Tuesday, April 25, 2023

Review Group 2024

Data Source Aerial

Collector

Appraiser

Land Computations

Table with columns: Description, Value. Rows include Calculated Acreage (3.43), Actual Frontage (0), Developer Discount, Parcel Acreage (3.43), 81 Legal Drain NV (0.00), 82 Public Roads NV (0.00), 83 UT Towers NV (0.00), 9 Homesite (1.00), 91/92 Acres (2.43), Total Acres Farmland (0.00), Farmland Value (\$0), Measured Acreage (0.00), Avg Farmland Value/Acre (0.0), Value of Farmland (\$0), Classified Total (\$0), Farm / Classified Value (\$0), Homesite(s) Value (\$41,300), 91/92 Value (\$23,300), Supp. Page Land Value, CAP 1 Value (\$41,300), CAP 2 Value (\$0), CAP 3 Value (\$23,300), Total Value (\$64,600).

**General Information**

**Occupancy** Single-Family  
**Description** Single-Family Residen  
**Story Height** 2  
**Style** N/A  
**Finished Area** 3036 sqft  
**Make**

**Floor Finish**

Earth  Tile  
 Slab  Carpet  
 Sub & Joist  Unfinished  
 Wood  Other  
 Parquet

**Wall Finish**

Plaster/Drywall  Unfinished  
 Paneling  Other  
 Fiberboard

**Roofing**

Built-Up  Metal  Asphalt  Slate  Tile  
 Wood Shingle  Other

**Exterior Features**

Description	Area	Value
Porch, Open Frame	72	\$4,100
Porch, Enclosed Frame	216	\$11,400
Porch, Open Frame	56	\$3,400
Wood Deck	148	\$2,900

**Plumbing**

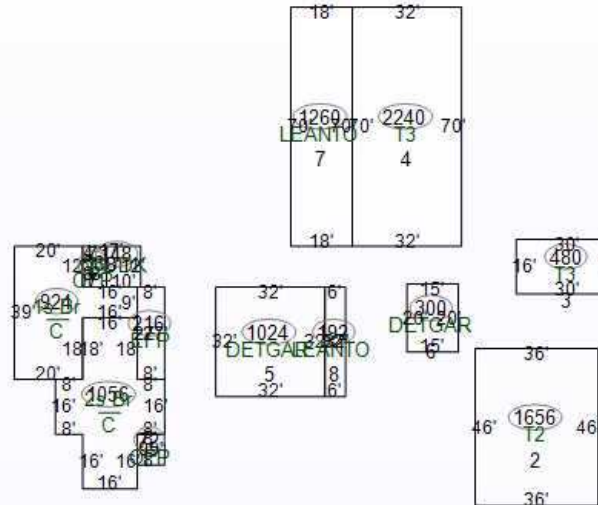
	#	TF
Full Bath	2	6
Half Bath	0	0
Kitchen Sinks	1	1
Water Heaters	1	1
Add Fixtures	0	0
<b>Total</b>	<b>4</b>	<b>8</b>

**Accommodations**

<b>Bedrooms</b>	3
<b>Living Rooms</b>	
<b>Dining Rooms</b>	
<b>Family Rooms</b>	
<b>Total Rooms</b>	9

**Heat Type**

Central Warm Air



**Specialty Plumbing**

Description	Count	Value
-------------	-------	-------

**Cost Ladder**

Floor	Constr	Base	Finish	Value	Totals
1	7	1980	1980	\$136,800	
2	7	1056	1056	\$49,500	
3					
4					
1/4					
1/2					
3/4					
Attic					
Bsmt					
Crawl		1980	0	\$8,200	
Slab					

**Total Base** \$194,500

**Adjustments** 1 Row Type Adj. x 1.00 \$194,500

Unfin Int (-)		\$0
Ex Liv Units (+)		\$0
Rec Room (+)		\$0
Loft (+)		\$0
Fireplace (+)		\$0
No Heating (-)		\$0
A/C (+)	2:1056 1:1980	\$6,200
No Elec (-)		\$0
Plumbing (+ / -)	8 - 5 = 3 x \$800	\$2,400
Spec Plumb (+)		\$0
Elevator (+)		\$0

**Sub-Total, One Unit** \$203,100

**Sub-Total, 1 Units**

Exterior Features (+)	\$21,800	\$224,900
Garages (+) 0 sqft	\$0	\$224,900
Quality and Design Factor (Grade)		1.15
Location Multiplier		1.00

**Replacement Cost** \$258,635

**Summary of Improvements**

Description	Res Eligibl	Story Height	Construction	Grade	Year Built	Eff Year	Eff Co Age nd	Base Rate	LCM	Adj Rate	Size	RCN	Norm Dep	Remain. Value	Abn Obs	PC	Nbhd	Mrkt	Improv Value
1: Single-Family Residen	100%	2	Brick	B-1	1901	1970	53 A		1.00		3,036 sqft	\$258,635	35%	\$168,110	0%	100%	1.260	1.2300	\$260,500
2: Barn, Bank & Flat 1	0%	1		D	1926	1926	97 A	\$35.83	1.00		-46' x 36' x 14'	\$41,704	65%	\$14,600	0%	100%	1.000	1.0000	\$14,600
3: Barn, Pole 2	0%	1	T3AW	C	1926	1926	97 A	\$24.38	1.00		16' x 30' x 10'	\$9,177	65%	\$3,210	0%	100%	1.000	1.0000	\$3,200
4: Barn, Pole 3	0%	1	T3AW	C	1970	1970	53 A	\$16.42	1.00		-70' x 32' x 12'	\$35,896	65%	\$12,560	0%	100%	1.000	1.0000	\$12,600
5: Detached Garage 1	0%	1	Wood Frame	C	1926	1926	97 A	\$25.66	1.00	\$25.66	1,024 sqft	\$26,276	45%	\$14,450	0%	100%	1.000	1.0000	\$14,500
6: Detached Garage 2	0%	1	Wood Frame	C	1926	1926	97 A	\$42.59	1.00	\$42.59	300 sqft	\$12,777	45%	\$7,030	0%	100%	1.000	1.0000	\$7,000
7: Lean-To (on Barn 3)	0%	1	Earth Floor	C	1970	1970	53 A	\$4.69	1.00		1,260 sqft x 8'	\$5,909	65%	\$2,070	0%	100%	1.000	1.0000	\$2,100
8: Lean-To (on Det Gar 1)	0%	1	Earth Floor	C	1999	1999	24 A	\$4.25	1.00		32'x6' x 7'	\$815	45%	\$450	0%	100%	1.000	1.0000	\$500
9: Steel Grain Bin	0%	1		C	2000	2000	23 A		1.00		14' x 14'	\$7,382	55%	\$3,320	0%	100%	1.000	1.0000	\$3,300
10: Utility Shed	0%	1		C	1999	1999	24 A	\$20.44	1.00	\$20.44	196 sqft	\$4,006	55%	\$1,800	0%	100%	1.000	1.0000	\$1,800

DULY ENTERED  
FOR TAXATION

Apr 12 2018 - LS

*Nancy S. Marsh*  
AUDITOR HENDRICKS COUNTY

003-134522-170001

201807555 D \$25.00  
04/12/2018 09:20:12AM 2 PGS  
Theresa Lynch  
Hendricks County Recorder IN  
Recorded as Presented



**WARRANTY DEED**

THIS INDENTURE WITNESSETH, that Alan M. Yeager and Abigail L. Yeager, husband and wife (Grantor) convey(s) and warrant(s) to Francis Don Lookabill and Karen Sue Lookabill, husband and wife (Grantee), for the sum of One Dollar (\$1.00) and other valuable consideration, the receipt of which is hereby acknowledged, the following described real estate in Hendricks County, Indiana:

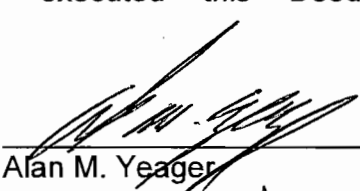
Lot Numbered One (1) in Minor Residential Plat #078/17, a subdivision in Clay County, Indiana, as per plat thereof recorded January 22, 2018 in Plat Cabinet 8, Slide 173, page 2, in the office of the Recorder of Hendricks County, Indiana.

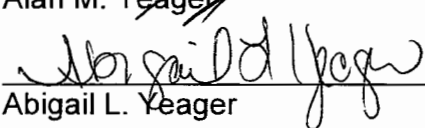
The subject real estate is commonly known as: 5878 W. 450 S., Coatesville, IN 46121.

Subject to all rights-of-way, easements and restrictions of record.

Subject to all taxes now a lien and to become a lien thereon.

IN WITNESS WHEREOF, Grantor has executed this Deed this 10<sup>th</sup> day of April, 2018

  
\_\_\_\_\_  
Alan M. Yeager

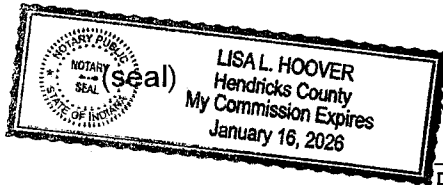
  
\_\_\_\_\_  
Abigail L. Yeager

STATE OF INDIANA

COUNTY OF Hendricks

Before me, a Notary Public in and for said County and State, personally appeared Alan M. Yeager and Abigail L. Yeager, who acknowledged the execution of the foregoing instrument, and who, having been duly sworn, stated that any representations therein contained are true.

Witness my hand and Notarial Seal this 10th of April, 2018.



*[Handwritten Signature]*  
\_\_\_\_\_  
Notary Public - Signature

Printed Name \_\_\_\_\_  
Resident of \_\_\_\_\_ County  
My Commission expires: \_\_\_\_\_

Tax mailing address: 5878 W. 450 S Coatesville IN 46121

Grantee mailing address: 5878 W. 450 S., Coatesville, IN 46121

I affirm, under penalties for perjury, that I have taken reasonable care to redact each Social Security number in this document, unless required by law, Ben Comer, Attorney-at-Law, Comer Law Office, LLC.

This instrument was prepared by Ben Comer, Attorney-at-Law, Comer Law Office, LLC, 71 West Marion Street, Danville, IN 46122, telephone: (317) 745-4300

# Search Results for:

**NAME: Lookabill, Francis (Super Search)**



**REGION: Hendricks County, IN**

**DOCUMENTS VALIDATED THROUGH: 05/15/2024 3:30 PM**

Showing 66 results

Filter:

Document Details	County	Date	Type	Name	Legal
<a href="#">198619006</a>	Hendricks	04/24/1986	DEED : DEED	<b>LOOKABILL, FRANCIS DON</b> <a href="#">Search</a> MEANS, RAYMOND O <a href="#">Search</a> LOOKABILL, ROBIN L	<a href="#">Search</a> 20-15N-2E NE SE
<a href="#">198619007</a>	Hendricks	04/24/1986	DEED : DEED	<b>LOOKABILL, FRANCIS DON</b> <a href="#">Search</a> LOOKABILL, ROBIN L <a href="#">Search</a> LOOKABILL, DON <a href="#">Search</a> LOOKABILL, ROBIN L	<a href="#">Search</a> 20-15N-2E NE SE
<a href="#">198619008</a>	Hendricks	04/24/1986	MORT : MORTGAGE	<b>LOOKABILL, FRANCIS DON</b> <a href="#">Search</a> LOOKABILL, DOROTHY D <a href="#">Search</a> LOOKABILL, ROBIN LEE <a href="#">Search</a> LOOKABILL, SARAH J <a href="#">see details for more</a>	<a href="#">Search</a> 20-15N-2E NE SE
<a href="#">198600110</a>	Hendricks	05/22/1986	MORT : MORTGAGE	<b>LOOKABILL, FRANCIS DON</b> <a href="#">Search</a> LOOKABILL, DOROTHY D <a href="#">Search</a> LOOKABILL, ROBIN LEE <a href="#">Search</a> LOOKABILL, SARAH J <a href="#">see details for more</a>	<a href="#">Search</a> 20-15N-2E NE SE
<a href="#">198602490</a>	Hendricks	07/15/1986	ASGN : MORTGAGE ASSIGNMENT	<b>LOOKABILL, FRANCIS DON</b> <a href="#">Search</a> LOOKABILL, DOROTHY D <a href="#">Search</a> LOOKABILL, ROBIN LEE <a href="#">Search</a> LOOKABILL, SARAH J <a href="#">see details for more</a>	

Document Details	County	Date	Type	Name	Legal
<a href="#">198603358</a>	Hendricks	07/29/1986	DEED : DEED	<b>LOOKABILL, FRANCES DON</b> <a href="#">Search</a> <a href="#">Search</a> LOOKABILL, FRANCIS DON <a href="#">Search</a> LOOKABILL, ROBIN L <a href="#">Search</a> LOOKABILL, DOROTHY D <a href="#">see details for more</a>	<a href="#">Search</a> 20-15N-2E NE SE
<a href="#">198603937</a>	Hendricks	08/08/1986	DEED : DEED	<b>LOOKABILL, FRANCES DON</b> <a href="#">Search</a> <a href="#">Search</a> LOOKABILL, DOROTHY D <a href="#">Search</a> LOOKABILL, ROBIN LEE	<a href="#">Search</a> 20-15N-2E NE SE SE <a href="#">Search</a> 20-15N-2E SW SE SE <a href="#">Search</a> 20-15N-2E NW SE SE <a href="#">Search</a> 20-15N-2E SE SE SE
<a href="#">198604769</a>	Hendricks	08/22/1986	DEED : DEED	<b>LOOKABILL, FRANCES DON</b> <a href="#">Search</a> <a href="#">Search</a> LOOKABILL, ROBIN L <a href="#">Search</a> LOOKABILL, DOROTHY D <a href="#">Search</a> LOOKABILL, FRANCIS DON <a href="#">see details for more</a>	<a href="#">Search</a> 20-15N-2E NE SE
<a href="#">198715965</a>	Hendricks	11/05/1987	ASGN : MORTGAGE ASSIGNMENT	<b>LOOKABILL, FRANCES DON</b> <a href="#">Search</a> <a href="#">Search</a> LOOKABILL, DOROTHY D <a href="#">Search</a> LOOKABILL, ROBIN LEE <a href="#">Search</a> LOOKABILL, SARAH J <a href="#">see details for more</a>	
<a href="#">199306376</a>	Hendricks	04/12/1993	ASGN : MORTGAGE ASSIGNMENT	<b>LOOKABILL, FRANCES DON</b> <a href="#">Search</a> <a href="#">Search</a> LOOKABILL, DOROTHY D <a href="#">Search</a> LOOKABILL, ROBIN LEE <a href="#">Search</a> LOOKABILL, SARAH J <a href="#">see details for more</a>	
<a href="#">199310590</a>	Hendricks	06/01/1993	DEED : DEED	<b>LOOKABILL, FRANCES DON</b> <a href="#">Search</a> <a href="#">Search</a> LOOKABILL, ROBIN LEE <a href="#">Search</a> INDIANAPOLIS AIRPORT AUTHORITY	<a href="#">Search</a> 20-15N-2E SE SE
<a href="#">199503016</a>	Hendricks	02/28/1995	DEED : DEED	<b>LOOKABILL, FRANCES DON</b> <a href="#">Search</a> <a href="#">Search</a> DAVIS, PHILIP D	<a href="#">Search</a> 20-15N-2E E

Document Details	County	Date	Type	Name	Legal
<a href="#">199519298</a>	Hendricks	11/06/1995	DEED : DEED	<b>LOOKABILL, FRANCIS DON</b> <a href="#">Search</a> <a href="#">Search</a> LOOKABILL, DOROTHY D	<a href="#">Search</a> 20-15N-2E NE SE <a href="#">Search</a> 20-15N-2E SE NE
<a href="#">199711299</a>	Hendricks	06/10/1997	MORT : MORTGAGE	<b>LOOKABILL, FRANCIS DON</b> <a href="#">Search</a> <a href="#">Search</a> LOOKABILL, ROBIN LEE <a href="#">Search</a> LOOKABILL, SARAH J <a href="#">Search</a> HENDRICKS COUNTY BANK TR	<a href="#">Search</a> 20-15N-2E NE SE
<a href="#">199823123</a>	Hendricks	08/31/1998	ASGN : MORTGAGE ASSIGNMENT	<b>LOOKABILL, FRANCIS DON</b> <a href="#">Search</a> <a href="#">Search</a> LOOKABILL, DOROTHY D <a href="#">Search</a> LOOKABILL, ROBIN LEE <a href="#">Search</a> LOOKABILL, SARAH J <a href="#">see details for more</a>	
<a href="#">200116245</a>	Hendricks	06/11/2001	MISC : RIGHT OF WAY	<b>LOOKABILL, FRANCIS DON</b> <a href="#">Search</a> <a href="#">Search</a> HENDRICKS COUNTY BOARD OF COMMISSIONERS	<a href="#">Search</a> 20-15N-2E NE
<a href="#">200803682</a>	Hendricks	02/15/2008	DEED : DEED	<b>LOOKABILL, FRANCIS D</b> <a href="#">Search</a> <a href="#">Search</a> LOOKABILL, ROBIN LEE	<a href="#">Search</a> 20-15N-2E NE SE <a href="#">Search</a> 20-15N-2E SE NE <a href="#">Search</a> 20-15N-2E SE SE
<a href="#">200803680</a>	Hendricks	02/15/2008	DEED : DEED	<b>LOOKABILL, FRANCIS DON</b> <a href="#">Search</a> <a href="#">Search</a> LOOKABILL, ROBIN <a href="#">Search</a> LOOKABILL, ROBIN L <a href="#">Search</a> LOOKABILL, ROBIN LEE	<a href="#">Search</a> 20-15N-2E NE SE
<a href="#">200820393</a>	Hendricks	08/27/2008	MISC : AFFIDAVIT	<b>LOOKABILL, FRANCIS D</b> <a href="#">Search</a> <a href="#">Search</a> LOOKABILL, ROBIN LEE	<a href="#">Search</a> 20-15N-2E SE SE
<a href="#">200825393</a>	Hendricks	11/06/2008	REL : MORTGAGE RELEASE	<b>LOOKABILL, FRANCIS DON</b> <a href="#">Search</a> <a href="#">Search</a> LOOKABILL, ROBIN LEE <a href="#">Search</a> LOOKABILL, SARAH J <a href="#">Search</a> HENDRICKS COUNTY BANK AND TRUST	



Document Details	County	Date	Type	Name	Legal
<a href="#">200825394</a>	Hendricks	11/06/2008	DEED : DEED	<b>LOOKABILL, FRANCIS DON</b> <a href="#">Search</a> <a href="#">Search</a> LOOKABILL, SARAH J	<a href="#">Search</a> 20-15N-2E NE SE
<a href="#">200825395</a>	Hendricks	11/06/2008	MORT : MORTGAGE	<b>LOOKABILL, FRANCIS DON</b> <a href="#">Search</a> <a href="#">Search</a> HENDRICKS COUNTY BANK AND TRUST	<a href="#">Search</a> 20-15N-2E NE SE
<a href="#">200826044</a>	Hendricks	11/18/2008	REL : MORTGAGE RELEASE	<b>LOOKABILL, FRANCIS DON</b> <a href="#">Search</a> <a href="#">Search</a> LOOKABILL, DOROTHY D <a href="#">Search</a> LOOKABILL, ROBIN LEE <a href="#">Search</a> LOOKABILL, SARAH <a href="#">see details for more</a>	
<a href="#">200828081</a>	Hendricks	12/19/2008	DEED : DEED	<b>LOOKABILL, FRANCIS DON</b> <a href="#">Search</a> <a href="#">Search</a> PACE PROPERTY HOLDING LLC	<a href="#">Search</a> 20-15N-2E SE NE
<a href="#">200828421</a>	Hendricks	12/29/2008	MISC : ORDINANCE	<b>LOOKABILL, FRANCIS DON</b> <a href="#">Search</a> <a href="#">Search</a> GEIGER, DINAH BETH <a href="#">Search</a> INDIANAPOLIS AIRPORT AUTHORITY <a href="#">Search</a> LOOKABILL, SARAH JANE <a href="#">see details for more</a>	<a href="#">Search</a> 29-15N-2E NE <a href="#">Search</a> 20-15N-2E SE <a href="#">Search</a> 20-15N-2E SE NE
<a href="#">201020123</a>	Hendricks	09/16/2010	DEED : DEED	<b>LOOKABILL, FRANCIS DON</b> <a href="#">Search</a> <a href="#">Search</a> PACE PROPERTY HOLDING LLC	<a href="#">Search</a> 20-15N-2E NE
<a href="#">201020124</a>	Hendricks	09/16/2010	DEED : DEED	<b>LOOKABILL, FRANCIS DON</b> <a href="#">Search</a> <a href="#">Search</a> PACE PROPERTY HOLDING LLC	<a href="#">Search</a> 20-15N-2E NE SE <a href="#">Search</a> 20-15N-2E SE NE
<a href="#">201020125</a>	Hendricks	09/16/2010	EASEMENT : EASEMENT	<b>LOOKABILL, FRANCIS DON</b> <a href="#">Search</a> <a href="#">Search</a> PACE PROPERTY HOLDING LLC	<a href="#">Search</a> 20-15N-2E NE <a href="#">Search</a> 20-15N-2E SE NE <a href="#">Search</a> 20-15N-2E NE SE <a href="#">see details for more</a>

Document Details	County	Date	Type	Name	Legal
<a href="#">201114192</a>	Hendricks	07/01/2011	MORT : MORTGAGE	<b>LOOKABILL, FRANCIS DON</b> <a href="#">Search</a> <a href="#">Search</a> HENDRICKS COUNTY BANK AND TRUST	<a href="#">Search</a> 20-15N-2E NE <a href="#">Search</a> 20-15N-2E NE SE <a href="#">Search</a> 20-15N-2E SE NE <a href="#">Search</a> 20-15N-2E NE <a href="#">see details for more</a>
<a href="#">201115201</a>	Hendricks	07/13/2011	REL : MORTGAGE RELEASE	<b>LOOKABILL, FRANCIS DON</b> <a href="#">Search</a> <a href="#">Search</a> LOOKABILL, ROBIN LEE <a href="#">Search</a> LOOKABILL, SARAH J <a href="#">Search</a> HENDRICKS COUNTY BANK AND TRUST	
<a href="#">201115204</a>	Hendricks	07/13/2011	REL : MORTGAGE RELEASE	<b>LOOKABILL, FRANCIS DON</b> <a href="#">Search</a> <a href="#">Search</a> HENDRICKS COUNTY BANK AND TRUST	
<a href="#">201124345</a>	Hendricks	11/02/2011	MORT : MORTGAGE	<b>LOOKABILL, FRANCIS DON</b> <a href="#">Search</a> <a href="#">Search</a> HENDRICKS COUNTY BANK AND TRUST COMPANY	<a href="#">Search</a> 20-15N-2E NE <a href="#">Search</a> 20-15N-2E NE SE <a href="#">Search</a> 20-15N-2E SE NE <a href="#">Search</a> 20-15N-2E SE
<a href="#">201401705</a>	Hendricks	01/28/2014	PLAT : SURVEY- OVERSIZED	<b>LOOKABILL, FRANCIS D</b> <a href="#">Search</a> <a href="#">Search</a> AIRWEST ASSOCIATES II LLC <a href="#">Search</a> AIRWEST OWNERS ASSOCIATION INC <a href="#">Search</a> ALKASSEM, FATEN I <a href="#">see details for more</a>	<a href="#">Search</a> Lot 12 PLAINFIELD BUS CTR AT AIRWEST LT12 <a href="#">Search</a> Lot 1 PLAINFIELD BUSINESS PARK NW LT1 BLDG5 <a href="#">see details</a> <a href="#">Search</a> Lot 3 REEVES ROAD INDUSTRIAL PARK LT3 <a href="#">see details for more</a>
<a href="#">201612864</a>	Hendricks	06/16/2016	PLAT : SURVEY- OVERSIZED	<b>LOOKABILL, FRANCIS D</b> <a href="#">Search</a> <a href="#">Search</a> AIRWEST ASSOCIATES II LLC <a href="#">Search</a> AIRWEST OWNERS ASSOCIATION INC <a href="#">Search</a> ALKASSEM, FATEN I <a href="#">see details for more</a>	<a href="#">Search</a> Lot 8 HILL TOP ADDITION <a href="#">Search</a> Lot 9 HILL TOP ADDITION <a href="#">Search</a> Lot 1 PEACEFUL ACRES <a href="#">Search</a> Lot 2 PEACEFUL ACRES <a href="#">see details for more</a>
<a href="#">201703780</a>	Hendricks	02/14/2017	MISC : AFFIDAVIT	<b>LOOKABILL, FRANCIS DON</b> <a href="#">Search</a> <a href="#">Search</a> JONES-KIMMCO	<a href="#">Search</a> 20-15N-2E NE SE <a href="#">Search</a> 20-15N-2E SE NE

Document Details	County	Date	Type	Name	Legal
<a href="#">201703781</a>	Hendricks	02/14/2017	DEED : DEED	<b>LOOKABILL, FRANCIS DON</b> <a href="#">Search</a> <a href="#">Search</a> PACE PROPERTIES HOLDINGS LLC	<a href="#">Search</a> 20-15N-2E NE SE
<a href="#">201703968</a>	Hendricks	02/16/2017	PLAT : SURVEY-OVERSIZED	<b>LOOKABILL, FRANCIS DON</b> <a href="#">Search</a> <a href="#">Search</a> LOOKABILL, DON <a href="#">Search</a> SURVEY FIRST LLC	<a href="#">Search</a> 20-15N-2E SE NE <a href="#">Search</a> 20-15N-2E NE SE
<a href="#">201704419</a>	Hendricks	02/23/2017	REL : MORTGAGE PARTIAL RELEASE	<b>LOOKABILL, FRANCIS DON</b> <a href="#">Search</a> <a href="#">Search</a> HENDRICKS COUNTY BANK AND TRUST COMPANY	<a href="#">Search</a> 20-15N-2E NE SE
<a href="#">201708742</a>	Hendricks	04/18/2017	DEED : DEED	<b>LOOKABILL, FRANCIS DON</b> <a href="#">Search</a> <a href="#">Search</a> PACE PROPERTIES HOLDINGS LLC	<a href="#">Search</a> 20-15N-2E NE SE
<a href="#">201709552</a>	Hendricks	04/27/2017	REL : MORTGAGE RELEASE	<b>LOOKABILL, FRANCIS DON</b> <a href="#">Search</a> <a href="#">Search</a> HENDRICKS COUNTY BANK AND TRUST	
<a href="#">201710376</a>	Hendricks	05/08/2017	DEED : DEED	<b>LOOKABILL, FRANCIS DON</b> <a href="#">Search</a> <a href="#">Search</a> YEAGER, WILLA DEAN	<a href="#">Search</a> 34-15N-2W W NW <a href="#">Search</a> 33-15N-2W E NE
<a href="#">201711448</a>	Hendricks	05/19/2017	MORT : MORTGAGE	<b>LOOKABILL, FRANCIS DON</b> <a href="#">Search</a> <a href="#">Search</a> HENDRICKS COUNTY BANK AND TRUST	<a href="#">Search</a> 34-15N-2W W NW <a href="#">Search</a> 33-15N-2W E NE
<a href="#">201723172</a>	Hendricks	09/28/2017	REL : MORTGAGE RELEASE	<b>LOOKABILL, FRANCIS DON</b> <a href="#">Search</a> <a href="#">Search</a> HENDRICKS COUNTY BANK AND TRUST	
<a href="#">201723564</a>	Hendricks	10/03/2017	DEED : DEED	<b>LOOKABILL, FRANCIS DON</b> <a href="#">Search</a> <a href="#">Search</a> LOOKABILL, F DON <a href="#">Search</a> LOOKABILL, ROBIN L	<a href="#">Search</a> 20-15N-2E E <a href="#">Search</a> 20-15N-2E SE
<a href="#">201723600</a>	Hendricks	10/03/2017	DEED : DEED	<b>LOOKABILL, FRANCIS DON</b> <a href="#">Search</a> <a href="#">Search</a> PACE PROPERTY HOLDING LLC	<a href="#">Search</a> 20-15N-2E SE NE <a href="#">Search</a> 20-15N-2E NE SE

Document Details	County	Date	Type	Name	Legal
<a href="#">201724349</a>	Hendricks	10/10/2017	DEED : DEED	<b>LOOKABILL, FRANCIS DONALD</b> <a href="#">Search</a> <a href="#">Search</a> HOLLAND TRUST, BETTY J <a href="#">Search</a> HOLLAND TRUST, FRED W	<a href="#">Search</a> 6-14N-1E NE <a href="#">Search</a> 6-14N-1E S NE
<a href="#">201726373</a>	Hendricks	11/02/2017	PLAT : SURVEY-OVERSIZED	<b>LOOKABILL, FRANCIS DON</b> <a href="#">Search</a> <a href="#">Search</a> LOOKABILL, DON <a href="#">Search</a> SURVEY FIRST LLC	<a href="#">Search</a> 20-15N-2E NE SE <a href="#">Search</a> 20-15N-2E SE NE
<a href="#">201807555</a>	Hendricks	04/12/2018	DEED : DEED	<b>LOOKABILL, FRANCIS DON</b> <a href="#">Search</a> <a href="#">Search</a> YEAGER, ABIGAIL L <a href="#">Search</a> YEAGER, ALAN M <a href="#">Search</a> LOOKABILL, KAREN SUE	<a href="#">Search</a> Lot 1 MRP 078/17
<a href="#">201807556</a>	Hendricks	04/12/2018	MORT : MORTGAGE	<b>LOOKABILL, FRANCIS DON</b> <a href="#">Search</a> <a href="#">Search</a> LOOKABILL, KAREN SUE <a href="#">Search</a> HENDRICKS COUNTY BANK AND TRUST	<a href="#">Search</a> Lot 1 MRP 078/17
<a href="#">201825329</a>	Hendricks	11/07/2018	DEED : DEED	<b>LOOKABILL, FRANCIS DON</b> <a href="#">Search</a> <a href="#">Search</a> PACE PROPERTY HOLDING LLC	<a href="#">Search</a> Lot 6 MINOR PLAT 140 <a href="#">Search</a> 20-15N-2E NE <a href="#">Search</a> 20-15N-2E NE SE <a href="#">Search</a> 20-15N-2E S E SE <a href="#">see details for more</a>
<a href="#">201825330</a>	Hendricks	11/07/2018	MORT : MORTGAGE	<b>LOOKABILL, FRANCIS DON</b> <a href="#">Search</a> <a href="#">Search</a> PACE PROPERTY HOLDING LLC	<a href="#">Search</a> Lot 6 MINOR PLAT 140 <a href="#">Search</a> 20-15N-2E NE <a href="#">Search</a> 20-15N-2E NE SE <a href="#">Search</a> 20-15N-2E S E SE <a href="#">see details for more</a>
<a href="#">201826702</a>	Hendricks	11/28/2018	MORT : MORTGAGE	<b>LOOKABILL, FRANCIS DON</b> <a href="#">Search</a> <a href="#">Search</a> LOOKABILL, KAREN S <a href="#">Search</a> HENDRICKS COUNTY BANK AND TRUST	<a href="#">Search</a> Lot 1 MRP 078/17
<a href="#">201826794</a>	Hendricks	11/29/2018	REL : MORTGAGE RELEASE	<b>LOOKABILL, FRANCIS DON</b> <a href="#">Search</a> <a href="#">Search</a> LOOKABILL, KAREN SUE <a href="#">Search</a> HENDRICKS COUNTY BANK AND TRUST	

Document Details	County	Date	Type	Name	Legal
<a href="#">201901102</a>	Hendricks	01/17/2019	DEED : DEED	<b>LOOKABILL, FRANCIS DON</b> <a href="#">Search</a> <a href="#">Search</a> COOPER, STEVEN E	<a href="#">Search</a> 33-15N-2W E SE <a href="#">Search</a> 34-15N-2W W SW
<a href="#">201922635</a>	Hendricks	10/04/2019	DEED : DEED	<b>LOOKABILL, FRANCIS DONALD</b> <a href="#">Search</a> <a href="#">Search</a> RTS REALTY LLC	<a href="#">Search</a> 6-14N-1E S NE
<a href="#">201923335</a>	Hendricks	10/14/2019	DEED : DEED	<b>LOOKABILL, FRANCIS DON</b> <a href="#">Search</a> <a href="#">Search</a> COATESVILLE PRIMITIVE BAPTIST CHURCH	<a href="#">Search</a> 6-14N-2W NE NE
<a href="#">202018887</a>	Hendricks	07/14/2020	REL : MORTGAGE RELEASE	<b>LOOKABILL, FRANCIS DON</b> <a href="#">Search</a> <a href="#">Search</a> HENDRICKS COUNTY BANK AND TRUST	
<a href="#">202118550</a>	Hendricks	06/04/2021	DEED : DEED	<b>LOOKABILL, FRANCIS DON</b> <a href="#">Search</a> <a href="#">Search</a> LOOKABILL, DON F <a href="#">Search</a> CHURCH, BRAD <a href="#">Search</a> CHURCH, CATHERINE	<a href="#">Search</a> Lot 1 WALTONS ADDITION <a href="#">Search</a> Lot 2 WALTONS ADDITION <a href="#">Search</a> Lot 3 WALTONS ADDITION
<a href="#">202216841</a>	Hendricks	07/14/2022	PLAT : SURVEY-SMALL	<b>LOOKABILL, FRANCIS DON</b> <a href="#">Search</a> <a href="#">Search</a> PARKER, WILLIS G <a href="#">Search</a> PARKER-GUMMERE, LISA S <a href="#">Search</a> ASA LAND SURVEYING <a href="#">see details for more</a>	<a href="#">Search</a> 33-15N-2W NE
<a href="#">202220419</a>	Hendricks	08/26/2022	REL : MORTGAGE RELEASE	<b>LOOKABILL, FRANCIS DON</b> <a href="#">Search</a> <a href="#">Search</a> LOOKABILL, DON <a href="#">Search</a> HENDRICKS COUNTY BANK AND TRUST	
<a href="#">202228021</a>	Hendricks	12/12/2022	LIEN : SEWER LIEN	<b>LOOKABILL, FRANCIS DON</b> <a href="#">Search</a> <a href="#">Search</a> AMO/COATESVILLE CONS DISTRICT	<a href="#">Search</a> 6-14N-2W NE NE
<a href="#">202310786</a>	Hendricks	06/26/2023	LIEN : SEWER LIEN	<b>LOOKABILL, DON FRANCIS</b> <a href="#">Search</a> <a href="#">Search</a> AMO/COATESVILLE CONS DISTRICT <a href="#">Search</a> AMO/COATESVILLE CONSERVANCY DISTRICT	<a href="#">Search</a> 6-14N-2W NE NE

Document Details	County	Date	Type	Name	Legal
<a href="#">202311450</a>	Hendricks	07/05/2023	REL : SEWER LIEN RELEASE	<b>LOOKABILL, DON FRANCIS</b> <a href="#">Search</a> <a href="#">Search</a> COATESVILLE TOWN OF	
<a href="#">202402850</a>	Hendricks	02/16/2024	PLAT : SURVEY-OVERSIZED	<b>LOOKABILL, FRANCIS DONALD</b> <a href="#">Search</a> <a href="#">Search</a> HENDRICKS COUNTY ENGINEERING <a href="#">Search</a> ALEXANDER SURVEYING LLC <a href="#">Search</a> DORRIS, BARBARA E <a href="#">see details for more</a>	<a href="#">Search</a> 5-14N-1E NW <a href="#">Search</a> 6-14N-1E <a href="#">Search</a> 5-14N-1E
<a href="#">202403197</a>	Hendricks	02/23/2024	REL : SEWER LIEN RELEASE	<b>LOOKABILL, DON FRANCIS</b> <a href="#">Search</a> <a href="#">Search</a> AMO/COATESVILLE SEWER CONSERVANCY DISTRICT	
<a href="#">202406196</a>	Hendricks	04/11/2024	DEED : DEED	<b>LOOKABILL, FRANCIS DONALD</b> <a href="#">Search</a> <a href="#">Search</a> HENDRICKS COUNTY BOARD OF COMMISSIONERS	<a href="#">Search</a> 6-14N-1E SE

The data or information provided is based on information obtained from Indiana Courts, Clerks, Recorders, and Department of Revenue, and is not to be considered or used as an official record. Doxpop, LLC, the Division of State Court Administration, the Indiana Courts and Clerks of Court, the Indiana Recorders, and the Indiana Department of Revenue: 1) Do not warrant that the information is accurate or complete; 2) Make no representations regarding the identity of any persons whose names appear in the information; and 3) Disclaim any liability for any damages resulting from the release or use of the information. The user should verify the information by personally consulting the official record maintained by the court, clerk, recorder or Department of Revenue.

Copyright © 2002-2024 Doxpop, llc. All Rights Reserved

# Search Results for:

**NAME: Lookabill, KAREN (Super Search)**



**REGION: Hendricks County, IN**

**DOCUMENTS VALIDATED THROUGH: 05/15/2024 3:30 PM**

Showing 4 results

Filter:

Document Details	County	Date	Type	Name	Legal
<a href="#">201807555</a>	Hendricks	04/12/2018	DEED : DEED	<b>LOOKABILL, KAREN SUE</b> <a href="#">Search</a> <a href="#">Search</a> YEAGER, ABIGAIL L <a href="#">Search</a> YEAGER, ALAN M <a href="#">Search</a> LOOKABILL, FRANCIS DON	<a href="#">Search</a> Lot 1 MRP 078/17
<a href="#">201807556</a>	Hendricks	04/12/2018	MORT : MORTGAGE	<b>LOOKABILL, KAREN SUE</b> <a href="#">Search</a> <a href="#">Search</a> LOOKABILL, FRANCIS DON <a href="#">Search</a> HENDRICKS COUNTY BANK AND TRUST	<a href="#">Search</a> Lot 1 MRP 078/17
<a href="#">201826702</a>	Hendricks	11/28/2018	MORT : MORTGAGE	<b>LOOKABILL, KAREN S</b> <a href="#">Search</a> <a href="#">Search</a> LOOKABILL, FRANCIS DON <a href="#">Search</a> HENDRICKS COUNTY BANK AND TRUST	<a href="#">Search</a> Lot 1 MRP 078/17
<a href="#">201826794</a>	Hendricks	11/29/2018	REL : MORTGAGE RELEASE	<b>LOOKABILL, KAREN SUE</b> <a href="#">Search</a> <a href="#">Search</a> LOOKABILL, FRANCIS DON <a href="#">Search</a> HENDRICKS COUNTY BANK AND TRUST	

The data or information provided is based on information obtained from Indiana Courts, Clerks, Recorders, and Department of Revenue, and is not to be considered or used as an official record. Doxpop, LLC, the Division of State Court Administration, the Indiana Courts and Clerks of Court, the Indiana Recorders, and the Indiana Department of Revenue: 1) Do not warrant that the information is accurate or complete; 2) Make no representations regarding the identity of any persons whose names appear in the information; and 3) Disclaim any liability for any damages resulting from the release or use of the information. The user should verify the information by personally consulting the official record maintained by the court, clerk, recorder or Department of Revenue.

Copyright © 2002-2024 Doxpop, llc. All Rights Reserved