



Legal and Vesting Product Cover Sheet

ORDER INFORMATION

FILE/ORDER NUMBER:	LL-HCBAT-00376	PRODUCT NAME:	LEGAL & VESTING
BORROWER NAME(S):	CAROL J WOODS		
PROPERTY ADDRESS:	1425 E US HWY 40, CLAYTON, IN 46118		
CITY, STATE AND COUNTY:	CLAYTON, INDIANA (IN), HENDRICKS		

SEARCH INFORMATION

SEARCH DATE:	06/10/2024	EFFECTIVE DATE:	06/07/2024
NAME(S) SEARCHED:	CAROL J WOODS, JANET ABDOULAYE AND KAITH WOODS		
ADDRESS/PARCEL SEARCHED:	1425 E US HWY 40, CLAYTON, IN 46118/32-14-02-300-006.000-013		

ASSESSMENT INFORMATION

COMMENTS:	
-----------	--

CURRENT OWNER VESTING

CAROL J. WOODS	
COMMENTS:	

VESTING DEED

DEED TYPE:	QUITCLAIM DEED	GRANTOR:	KEITH W. WOODS THROUGH HIS ATTORNEY IN FACT, JANET ABDOULAYE AND CAROL J. WOODS THROUGH HER ATTORNEY IN FACT, JANET ABDOULAYE
DATED DATE:	09/12/2022	GRANTEE:	CAROL J. WOODS
BOOK/PAGE:	N/A	RECORDED DATE:	09/28/2022
INSTRUMENT NO:	202222872		
COMMENTS:			

FOR PREAMBLE

CITY/TOWNSHIP/PARISH:	CITY OF CLAYTON
-----------------------	-----------------

ADDITIONAL NOTES

LEGAL DESCRIPTION

THE FOLLOWING DESCRIBED REAL ESTATE IN HENDRICKS COUNTY, STATE OF INDIANA:

PART OF THE SOUTHEAST QUARTER OF THE SOUTHWEST QUARTER OF SECTION 2, TOWNSHIP 14 NORTH, RANGE 1 WEST, HENDRICKS COUNTY, INDIANA; BOUNDED AND DESCRIBED AS FOLLOWS TO-WIT:

BEGINNING IN THE SOUTH LINE OF SAID QUARTER QUARTER SECTION AT A POINT WHICH IS 331.08 FEET NORTH 89 DEGREES 50 MINUTES WEST FROM A STONE AT THE SOUTHEAST CORNER OF SAID QUARTER QUARTER SECTION; THENCE NORTH 89 DEGREES 50 MINUTES WEST ON AND ALONG THE SOUTH LINE OF SAID QUARTER QUARTER SECTION 142.09 FEET; THENCE NORTH PARALLEL TO THE EAST LINE OF SAID QUARTER QUARTER SECTION 372.912 FEET TO THE SOUTH LINE OF THE RIGHT-OF-WAY OF US. HIGHWAY NO. 40; THENCE NORTH 70DEGREES 11 MINUTES EAST ON AND ALONG SAID RIGHT-OF-WAY LINE 151.01 FEET; THENCE SOUTH PARALLEL TO THE EAST LINE OF SAID QUARTER QUARTER SECTION 424.54 FEET TO THE POINT OF BEGINNING

Hendricks County, IN

Property Record Card

[2024 Property Record Card \(PDF\)](#)
[2023 Property Record Card \(PDF\)](#)

Form 11

[32-14-02-300-006.000-013 \(PDF\)](#)

Summary

Parcel ID 32-14-02-300-006.000-013
Bill ID 007-102412-300006
Reference # .
Property Address 1425 E Us Highway 40
 Clayton, IN, 46118
Brief Legal Description Pt Se Sw 2-14-1W 1.3a 7.2-11-1-1-1
 (Note: Not to be used on legal documents)
Class RESIDENTIAL ONE FAMILY DWELLING ON UNPLATTED LAND OF 0-9.99 ACRES
Tax District Liberty Township
Tax Rate Code 72 - Advertised Tax Rate
Property Type 82 - Residential
Mortgage Co N/A
Last Change Date



Owner

Deeded Owner
 WOODS CAROL J
 1425 E Us 40
 Clayton, IN 46118

Taxing District

County: Hendricks
Township: LIBERTY TOWNSHIP
State District: 013 LIBERTY TOWNSHIP
Local District: 007
School Corp: MILL CREEK COMMUNITY
Neighborhood: 5550007 RES ACREAGE DEFAULT-LIBERTY

Site Description

Topography:
Public Utilities:
Street or Road:
Area Quality: Static
Parcel Acreage: 1.3

Land

Land Type	Soil ID	Act Front.	Eff. Depth	Size	Rate	Adj. Rate	Ext. Value	Infl. %	Value
9rr		0	0	1.0000	\$48,410.00	\$48,410.00	\$48,410.00	0%	\$48,410.00
91rr		0	0	.30	\$10,174.00	\$10,174.00	\$3,052.20	0%	\$3,050.00

Residential Dwellings

Description	Single-Family Residence1
Story Height	1
Style	
Finished Area	1272
# Fireplaces	0
Heat Type	Central Warm Air
Air Cond	1272
Bedrooms	3
Living Rooms:	0
Dining Rooms:	0
Family Rooms:	1
Finished Rooms:	7
Full Baths	1
Full Bath Fixtures	3
Half Baths	0
Half Bath Fixtures	0
Kitchen Sinks	1
Water Heaters	1
Add Fixtures	0

Floor	Construction	Base	Finish
1	Wood Frame	1272	1272
C		960	0
S		312	0

Features	Area
Porch, Open Frame	300
Wood Deck	96

Improvements

Descr	PC	Grade	Year Built	Eff Year	Cond	LCM	Size	Nbhd Factor	Mrkt Factor
Single-Family Residence1	100	C-1	1955	1970	A	1.01	1272	1.67	0
Barn, Pole1	100	C	2005	2005	A	1.01	-1200	1.67	0

Transfers

Date	New Owner	Doc ID	Book/Page	Sale Price
9/28/2022	WOODS, CAROL J	QC		\$0.00
	WOODS, KEITH W & CAROL J			\$0.00

Transfer History

Date	Transfer From	Instrument	Book	Page	Doc Nbr
9/28/2022	Woods Keith W & Carol J				QCD
7/1/1986	Unknown At Conversion	Conversion	0	0	

Valuation

Assessment Year	2024	2023	2022	2021	2020
Reason	ANNUAL ADJUSTMENT	ANNUAL ADJUSTMENT	ANNUAL ADJUSTMENT	ANNUAL ADJUSTMENT	ANNUAL ADJUSTMENT
As Of Date	4/10/2024	4/6/2023	4/7/2022	3/27/2021	4/1/2020
Land	\$51,500	\$48,700	\$45,100	\$43,100	\$43,100
Land Res (1)	\$48,400	\$45,700	\$42,300	\$40,300	\$40,300
Land Non Res (2)	\$3,100	\$0	\$0	\$0	\$0
Land Non Res (3)	\$0	\$3,000	\$2,800	\$2,800	\$2,800
Improvement	\$135,000	\$128,200	\$119,600	\$104,400	\$112,400
Imp Res (1)	\$135,000	\$114,000	\$105,400	\$91,700	\$99,700
Imp Non Res (2)	\$0	\$0	\$0	\$0	\$0
Imp Non Res (3)	\$0	\$14,200	\$14,200	\$12,700	\$12,700
Total	\$186,500	\$176,900	\$164,700	\$147,500	\$155,500
Total Res (1)	\$183,400	\$159,700	\$147,700	\$132,000	\$140,000
Total Non Res (2)	\$3,100	\$0	\$0	\$0	\$0
Total Non Res (3)	\$0	\$17,200	\$17,000	\$15,500	\$15,500

Taxes

[Click here to view Hendricks County tax data](#)

Tax History

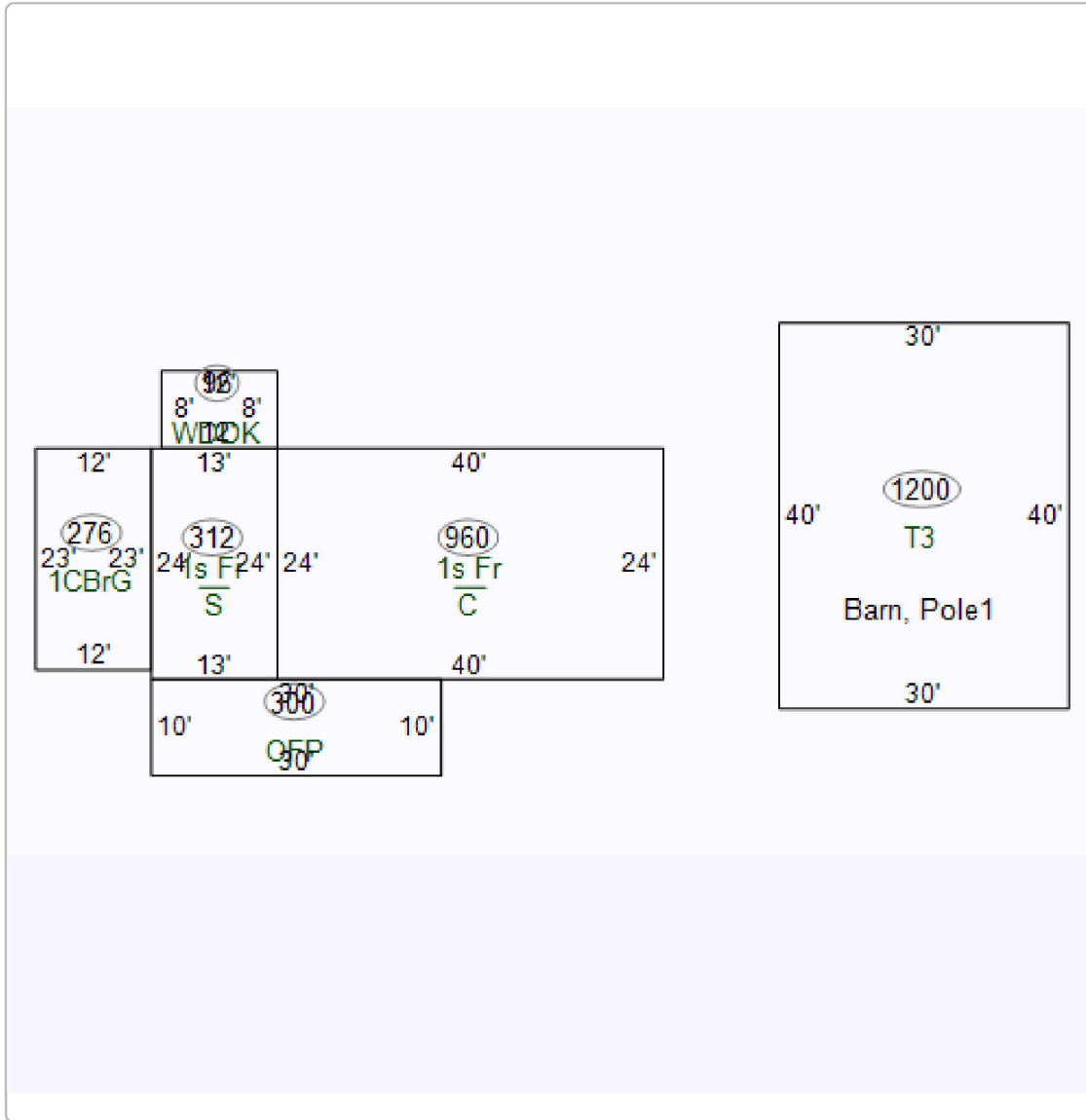
	2021 Pay 2022	2020 Pay 2021	2019 Pay 2020	2018 Pay 2019
+ Spring Tax	\$468.43	\$445.26	\$407.84	\$453.54
+ Spring Penalty	\$0.00	\$0.00	\$0.00	\$0.00
+ Spring Annual	\$0.00	\$0.00	\$0.00	\$0.00
+ Fall Tax	\$468.43	\$445.26	\$407.84	\$453.54

	2021 Pay 2022	2020 Pay 2021	2019 Pay 2020	2018 Pay 2019
+ Fall Penalty	\$0.00	\$0.03	\$0.00	\$0.00
+ Fall Annual	\$0.00	\$0.00	\$0.00	\$0.00
+ Delq NTS Tax	\$0.52	\$0.00	\$0.00	\$0.00
+ Delq NTS Pen	\$0.05	\$0.00	\$0.00	\$0.00
+ Delq TS Tax	\$0.00	\$0.00	\$0.00	\$0.00
+ Delq TS Pen	\$0.00	\$0.00	\$0.00	\$0.00
+ Other Assess	\$0.00	\$0.00	\$0.00	\$0.00
+ Advert Fee	\$0.00	\$0.00	\$0.00	\$0.00
+ Tax Sale Fee	\$0.00	\$0.00	\$0.00	\$0.00
+ NSF Fee	\$0.00	\$0.00	\$0.00	\$0.00
PTRC	\$0.00	\$0.00	\$0.00	\$0.00
HMST Credit	\$0.00	\$0.00	\$0.00	\$0.00
Circuit Breaker	\$0.00	\$0.00	\$0.00	\$0.00
Over 65 CB	\$0.00	\$0.00	\$0.00	\$0.00
= Charges	\$937.43	\$890.55	\$815.68	\$907.08
- Surplus Transfer	\$0.00	\$0.00	\$0.00	\$0.00
- Credits	(\$937.43)	(\$890.00)	(\$815.68)	(\$907.08)
= Total Due	\$0.00	\$0.55	\$0.00	\$0.00

Photos



Sketches



No data available for the following modules: Commercial Buildings, Septic Permits.

The information in this web site represents current data from a working file which is updated continuously. Information is believed reliable, but its accuracy cannot be guaranteed. No warranty, expressed or implied, is provided for the data herein, or its use.

[User Privacy Policy](#) | [GDPR Privacy Notice](#)
 Last Data Upload: 10/06/2024, 07:59:24

Contact Us



DULY ENTERED
FOR TAXATION

Sep 28 2022 - LS

Nancy S. Marsh
AUDITOR HENDRICKS COUNTY

202222872 D \$25.00
09/28/2022 11:03:17AM 2 PGS
Theresa Lynch
Hendricks County Recorder IN
Recorded as Presented



007-102412-300006

QUITCLAIM DEED

THIS INDENTURE WITNESSETH that KEITH W. WOODS through his attorney in fact, JANET ABDOULAYE and CAROL J. WOODS through her attorney in fact, JANET ABDOULAYE (Grantor) **QUITCLAIMS** to CAROL J. WOODS (Grantee) for no consideration, the receipt and sufficiency of which is hereby acknowledged, the following described real estate in HENDRICKS County, State of Indiana:

LEGAL DESCRIPTION ATTACHED

PARCEL NO. 32-14-02-300-006.000-013

Subject to all legal highways, rights-of-way, easements and restrictions of record.
Subject to all taxes now lien and to become a lien thereon.

NOTICE: This instrument has been prepared solely from information and on instructions by our client. No title opinion or other title evidence has been furnished by the attorney in connection with its preparation. Grantee herein has instructed the attorney preparing this instrument that he does not desire a title opinion even though said attorney encouraged grantee to acquire one.

IN WITNESS WHEREOF, Grantor has executed this Deed this 12 day of September 2022.

Keith Woods by Janet Abdoulaye POA
KEITH W. WOODS through his attorney in fact,
JANET ABDOULAYE POA #202222821

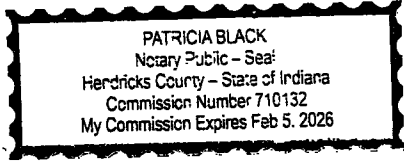
Carol Woods by Janet Abdoulaye POA
Carol J. Woods through her attorney in fact, JANET
ABDOULAYE POA #202222858

STATE OF INDIANA)
)SS:
COUNTY OF HENDRICKS)

09/28/2022
No Sales Disclosure Required
By: *D Robinson Whiteley*
REMOVE NAME

Before me, a Notary Public, in and for said County and State, personally appeared, KEITH W. WOODS through his attorney in fact, JANET ABDOULAYE and CAROL J. WOODS through her attorney in fact, JANET ABDOULAYE (Grantor) **QUITCLAIMS** to CAROL J. WOODS, who acknowledged the execution of the foregoing Quitclaim Deed, and who, having been duly sworn, stated that any representations therein contained are true.

WITNESS my hand and seal this 12 day of September 2022.



[Signature]
Resident of: HENDRICKS County, Indiana

SEND TAX STATEMENTS TO: **1425 E US 40, Clayton, IN 46118**- Grantee's address
I affirm, under penalties for perjury, that I have taken reasonable care to redact each Social Security number in this document, unless required by law, Doris G. Brauman Moore. PREPARED BY: Doris G. Brauman Moore, Attorney, 128 East Main Street, Brownsburg, Indiana 46112, 317-858-5000

Part of the Southeast quarter of the Southwest quarter of Section 2, Township 14 North, Range 1 West, Hendricks County, Indiana, bounded and described as follows to-wit:

Beginning in the South line of said quarter quarter section at a point which is 331.08 feet North 89 degrees 50 minutes West from a stone at the Southeast corner of said quarter quarter section; thence North 89 degrees 50 minutes West on and along the South line of said quarter quarter section 142.09 feet; thence North parallel to the East line of said quarter quarter section 372.912 feet to the South line of the right-of-way of U.S. Highway No. 40; thence North 70degrees 11 minutes East on and along said right-of-way line 151.01 feet; thence South parallel to the East line of said quarter quarter section 424.54 feet to the point of beginning

Note: Use of this form constitutes practice of law and is limited to practicing lawyers.

WARRANTY DEED

BOOK 289 PAGE 446

1868

THIS INDENTURE WITNESSETH, That MICHAEL C. ROGERS

of HENDRICKS County, in the State of INDIANA, CONVEY

AND WARRANT to KEITH W. WOODS AND CAROL J. WOODS, HUSBAND AND WIFE

of HENDRICKS County, in the State of INDIANA, for the sum of ONE Dollars (\$ 1.00) and other

valuable consideration, the receipt of which is hereby acknowledged, the following described real estate in HENDRICKS County, in the State of Indiana:

Part of the Southeast quarter of the Southwest quarter of Section 2, Township 14 North, Range 1 West, Hendricks County, Indiana, bounded and described as follows to-wit:

Beginning in the South line of said quarter quarter section at a point which is 331.08 feet North 89 degrees 50 minutes West from a stone at the Southeast corner of said quarter quarter section; thence North 89 degrees 50 minutes West on and along the South line of said quarter quarter section 142.09 feet; thence North parallel to the East line of said quarter quarter section 372.92 feet to the South line of the right-of-way of U.S. Highway No. 40; thence North 70 degrees 11 minutes East on and along said right-of-way line 151.04 feet; thence South parallel to the East line of said quarter quarter section 424.54 feet to the point of beginning.

Subject to real estate taxes for 1985, due and payable in 1986.

Subject to real estate taxes for 1986, due and payable in 1987.

Subject to easements, rights-of-way and restrictions of record.

Duly Entered For Taxation This 1

day of July 1986

Mary Jane Keathere

AUDITOR HENDRICKS COUNTY

2-11-1-1 Liberty
2-11-1-3 Liberty

ENTERED FOR RECORD

JUL 1 1986

Bonnie R. Mayhew
RECORDER HENDRICKS COUNTY

Off Rd. 39
Clayton, Indiana 46118
Hendricks Co Liberty Twp

IN WITNESS WHEREOF, Grantor has executed this deed this 16 day of May, 19 86

Signature (SEAL)

Signature Michael C. Rogers (SEAL)

Printed

Printed MICHAEL C. ROGERS

STATE OF INDIANA

COUNTY OF Hendricks

SS:

Before me, a Notary Public in and for said County and State, personally appeared

MICHAEL C. ROGERS

who acknowledged the execution of the foregoing Warranty Deed, and who, having been duly sworn, stated that any representations therein contained are true.

Witness my hand and Notarial Seal this 16 day of May, 19 86

My commission expires

Signature Sherry J. Goins

SHERRY J. GOINS, NOTARY PUBLIC

Printed Sherry J. Goins, Notary Public

MY COMMISSION EXPIRES OCTOBER 26, 1986
COUNTY OF MARION

Residing in Marion County, Indiana.

This instrument was prepared by Larry J. Hobson, attorney at law.

Return to:

Send tax statements to: Keith W. & Carol J. Woods
R. R. 1, Box 163, Clayton, IN 46118

Search Results for:

NAME: Woods, Carol (Super Search)



REGION: Hendricks County, IN

DOCUMENTS VALIDATED THROUGH: 06/7/2024 3:35 PM

Showing 94 results

Filter:

Document Details	County	Date	Type	Name	Legal
197700222	Hendricks	04/04/1977	DEED : DEED	WOOD, CAROL H Search Search WALTON, JOHN EARL Search WALTON, MARLENE JUNE Search WOOD, ROBERT A	Search Lot 21 WILDWOOD ESTATES SECTION 3
197700223	Hendricks	04/04/1977	MORT : MORTGAGE	WOOD, CAROL H Search Search WOOD, ROBERT A Search CITEZENS SAVINGS & LOAN ASSOCIATION	Search Lot 21 WILDWOOD ESTATES SECTION 3
197909620	Hendricks	03/21/1979	DEED : DEED	WOOD, CAROLYN D Search Search FELICE, CHRISTINE Search FELICE, GRANT Search WOOD, JOHN E	Search 7-15N-2E NW NE Search 7-15N-2E SW NE
197909621	Hendricks	03/21/1979	MORT : MORTGAGE	WOOD, CAROLYN D Search Search WOOD, JOHN E Search MERIDIAN MORTGAGE COMPANY	Search 7-15N-2E NW NE Search 7-15N-2E SW NE
198000863	Hendricks	02/12/1980	ASGN : MORTGAGE ASSIGNMENT	WOOD, CAROLYN D Search Search BEECHLER, EARLENE A Search BEECHLER, GARY STEPHEN Search BLANTON, JOHN P see details for more	
198007717	Hendricks	11/10/1980	DEED : DEED	WOOD, CAROLYN D Search Search WOOD, JOHN E Search TIDWELL, PEGGY A Search TIDWELL, RUDOLPH T	Search 7-15N-2E NW NE Search 7-15N-2E SW NE

Document Details	County	Date	Type	Name	Legal
198305019	Hendricks	01/13/1983	DEED : DEED	WOOD, CAROL H Search Search WOOD, ROBERT A Search COLEMAN, CAROL A Search COLEMAN, DAVID H see details for more	Search Lot 1 Block 20 DANVILLE TOWN OF
198305040	Hendricks	01/14/1983	MORT : MORTGAGE	WOOD, CAROL H Search Search COLEMAN, CAROL A Search COLEMAN, DAVID H Search KESSINGER, BETTY ANN see details for more	Search Lot 1 Block 20 DANVILLE TOWN OF
198412769	Hendricks	10/22/1984	MORT : MORTGAGE	WOOD, CAROL H Search Search COLEMAN, CAROL A Search COLEMAN, DAVID H Search KESSINGER, BETTY ANN see details for more	Search Lot 1 Block 20 DANVILLE TOWN OF
198601868	Hendricks	07/01/1986	DEED : DEED	WOODS, CAROL J Search Search ROGERS, MICHAEL C Search WOODS, KEITH W	Search 2-14N-1W SE SW
198601869	Hendricks	07/01/1986	MORT : MORTGAGE	WOODS, CAROL J Search Search WOODS, KEITH W Search RAILROADMENS FEDERAL SAVINGS AND LOAN	Search 2-14N-1W SE SW
198715968	Hendricks	11/05/1987	ASGN : MORTGAGE ASSIGNMENT	WOODS, CAROL J Search Search BURDETT, DENNIS J Search BURDETT, MARY J Search EDWARDS, CAROL J see details for more	

Document Details	County	Date	Type	Name	Legal
198819841	Hendricks	02/18/1988	REL : MORTGAGE RELEASE	WOOD, CAROL H Search Search COLEMAN, CAROL A Search COLEMAN, DAVID H Search KESSINGER, BETTY ANN see details for more	
198819842	Hendricks	02/18/1988	REL : MORTGAGE RELEASE	WOOD, CAROL H Search Search COLEMAN, CAROL A Search COLEMAN, DAVID H Search KESSINGER, BETTY ANN see details for more	
198819843	Hendricks	02/18/1988	MORT : MORTGAGE	WOOD, CAROL H Search Search COLEMAN, CAROL A Search COLEMAN, DAVID H Search KESSINGER, BETTY ANN see details for more	Search Lot 1 Block 20 DANVILLE TOWN OF
199012783	Hendricks	11/07/1990	MISC : MISCELLANEOUS	WOOD, CAROL H Search Search KESSINGER, BETTY ANN Search KESSINGER, TERRY M Search WOOD, ROBERT A see details for more	
199202926	Hendricks	02/25/1992	ASGN : MORTGAGE ASSIGNMENT	WOOD, CAROL H Search Search WOOD, ROBERT A Search WATERFIELD MORTGAGE	
199212474	Hendricks	07/09/1992	REL : MORTGAGE RELEASE	WOOD, CAROLYN D Search Search WOOD, JOHN E Search WATERFIELD MORTGAGE	
199213537	Hendricks	07/23/1992	DEED : DEED	WOOD, CAROL H Search Search MARTIN, HAROLD JEFFREY SR Search MARTIN, NANCY WILLS Search WOOD, ROBERT A	Search Lot 7 WOODFIELD ON WASHINGTON SECTION 1

Document Details	County	Date	Type	Name	Legal
199422878	Hendricks	11/28/1994	MORT : MORTGAGE	WOOD, CAROL H Search Search WOOD, ROBERT A Search LINCOLN FEDERAL SAVINGS	Search Lot 7 WOODFIELD ON WASHINGTON SECTION 1
199504056	Hendricks	03/17/1995	MORT : MORTGAGE	WOOD, CAROL H Search Search WOOD, ROBERT A Search LINCOLN FEDERAL SAVINGS BANK	Search Lot 7 WOODFIELD ON WASHINGTON SECTION 1
199504060	Hendricks	03/17/1995	REL : MORTGAGE RELEASE	WOOD, CAROL H Search Search WOOD, ROBERT A Search LINCOLN FEDERAL SAVINGS BANK	
199513990	Hendricks	08/21/1995	DEED : DEED	WOOD, CAROL H Search Search WOOD, ROBERT A Search MOTES, KYLE L Search MOTES, TRACY R	Search Lot 21 WILDWOOD ESTATES SECTION 3
199515388	Hendricks	09/11/1995	REL : MORTGAGE RELEASE	WOOD, CAROL H Search Search WOOD, ROBERT A Search CITIZENS SAVINGS & LOAN Search WATERFIELD MORTGAGE	
199624230	Hendricks	11/15/1996	DEED : DEED	WOODS, CAROLINE WRIGHT Search Search BLOOMER, KEITH R Search BLOOMER, SHEILA M Search WOODS, STEVEN DANIEL	Search Lot 124 OLD FARM ADDITION SECTION 8 PT B
199624231	Hendricks	11/15/1996	MORT : MORTGAGE	WOODS, CAROLINE WRIGHT Search Search WOODS, STEVEN DANIEL Search RYLAND MORTGAGE	Search Lot 124 OLD FARM ADDITION SECTION 8 PT B

Document Details	County	Date	Type	Name	Legal
199625585	Hendricks	12/06/1996	DEED : DEED	WOOD, CAROL H Search Search COLEMAN, CAROL A Search COLEMAN, DAVID H Search KESSINGER, BETTY ANN see details for more	Search Lot 1 Block 20 DANVILLE TOWN OF
199626384	Hendricks	12/18/1996	MORT : MORTGAGE	WOOD, CAROL H Search Search KESSINGER, BETTY ANN Search KESSINGER, ELIZABETH A Search KESSINGER, TERRY M see details for more	Search Lot 1 Block 20 DANVILLE TOWN OF
199718117	Hendricks	09/02/1997	ASGN : MORTGAGE ASSIGNMENT	WOODS, CAROLINE WRIGHT Search Search WOODS, STEVEN DANIEL Search HOMESIDE LENDING	Search Lot 124 OLD FARM ADDITION SECTION 8 PT B
199800512	Hendricks	01/07/1998	DEED : DEED	WOODS, CAROLYN A Search Search SWAIN, MARTHA H	Search 34-17N-1W SW NW Search 34-17N-1W NW SW Search 34-17N-1W SW SW
199800515	Hendricks	01/07/1998	DEED : DEED	WOODS, CAROLYN A Search Search SWAIN, MARTHA H Search SWAIN, RICHARD H	Search 34-17N-1W SW NW Search 34-17N-1W NW SW
199801331	Hendricks	01/20/1998	DEED : DEED	WOODS, CAROLYN A Search Search HICKS, STEPHANIE L Search HICKS, STEPHEN A Search SWAIN, MARTHA H see details for more	Search 34-17N-1W SW NW Search 34-17N-1W NW SE
199801332	Hendricks	01/20/1998	DEED : DEED	WOODS, CAROLYN A Search Search SWAIN, RICHARD H Search HICKS, STEPHANIE L Search HICKS, STEPHEN A	Search 34-17N-1W SW NW Search 34-17N-1W NW SW

Document Details	County	Date	Type	Name	Legal
199801688	Hendricks	01/26/1998	REL : MORTGAGE RELEASE	WOODS, CAROL J Search Search WOODS, KEITH W Search HUNTINGTON NATIONAL BANK Search RAILROADMENS FEDERAL SAV	
199808378	Hendricks	04/08/1998	MISC : COURT DOCUMENT	WOODS, CAROLYN A Search Search SWAIN, MARTHA H Search SWAIN, DAVID O Search SWAIN, PHILIP N see details for more	
199831493	Hendricks	11/20/1998	MORT : MORTGAGE	WOODS, CAROLINE W Search Search WOODS, STEVEN D Search NORWEST MORTGAGE	Search Lot 124 OLD FARM ADDITION SECTION 8 PT B
199832472	Hendricks	11/30/1998	REL : MORTGAGE RELEASE	WOODS, CAROLINE WRIGHT Search Search WOODS, STEVEN DANIEL Search HOMESIDE LENDING Search RYLAND MORTGAGE	
199907878	Hendricks	03/15/1999	MORT : MORTGAGE	WOOD, CAROL H Search Search WOOD, ROBERT A Search LINCOLN FEDERAL SAVINGS	Search Lot 7 WOODFIELD ON WASHINGTON SECTION 1
199910297	Hendricks	04/06/1999	REL : MORTGAGE RELEASE	WOOD, CAROL H Search Search WOOD, ROBERT A Search LINCOLN FEDERAL SAVINGS	
199934838	Hendricks	12/10/1999	MORT : MORTGAGE	WOOD, CAROL H Search Search KESSINGER, BETTY ANN Search KESSINGER, TERRY M Search WOOD, ROBERT A see details for more	Search Lot 1 Block 20 DANVILLE TOWN OF

Document Details	County	Date	Type	Name	Legal
200016302	Hendricks	07/20/2000	DEED : DEED	WOODS TRUST, CAROLYN ANN Search Search WOODS, CAROLYN A	Search 34-17N-1W SW NW Search 34-17N-1W NW SW Search 34-17N-1W SW SW
200126470	Hendricks	09/06/2001	MORT : MORTGAGE	WOOD, CAROL H Search Search KESSINGER, BETTY ANN Search KESSINGER, TERRY M Search WOOD, ROBERT A see details for more	Search Lot 1 Block 20 DANVILLE TOWN OF
200216805	Hendricks	05/17/2002	DEED : DEED	WOOD, CAROLE E Search Search WOOD, CARL N Search WOOD, CARL N	Search Lot 4 MERRI ACRES
200321415	Hendricks	05/22/2003	MORT : MORTGAGE	WOODS, CAROLINE W Search Search WOODS, STEVEN D Search DIVIDEND MORTGAGE Search MERS	Search Lot 124 OLD FARM ADDITION SECTION 8 PT B
200405805	Hendricks	02/25/2004	DEED : DEED	WOOD, CAROLE E Search Search WOOD, CARL N Search TABER, BRENDA M Search TABER, CHRISTINA I	Search Lot 4 MERRI ACRES
200423882	Hendricks	07/29/2004	DEED : DEED	WOOD, CAROL L Search Search ELLETT, LYNN E Search GLOVER, CHERYL A	Search 5-14N-2W SW NW
200430071	Hendricks	09/27/2004	REL : MORTGAGE RELEASE	WOOD, CAROL H Search Search KESSINGER, BETTY ANN Search KESSINGER, TERRY M Search WOOD, ROBERT A see details for more	
200438044	Hendricks	12/14/2004	MISC : POWER OF ATTORNEY	WOOD, CAROL L Search Search WOOD, CHRISTOPHER O	

Document Details	County	Date	Type	Name	Legal
200438045	Hendricks	12/14/2004	DEED : DEED	WOOD, CAROL L Search Search WOOD, CHRISTOPHER O Search NEWBY, DARLENE S Search NEWBY, ELVIN A	Search 5-14N-2W SW NW
200608623	Hendricks	04/03/2006	MORT : MORTGAGE AMENDMENT	WOOD, CAROL H Search Search KESSINGER, BETTY ANN Search KESSINGER, TERRY K Search WOOD, ROBERT A see details for more	
200612446	Hendricks	05/11/2006	REL : MORTGAGE RELEASE	WOOD, CAROL H Search Search WOOD, ROBERT A Search LINCOLN BANK Search LINCOLN FEDERAL SAVINGS	
200711832	Hendricks	05/10/2007	MISC : AFFIDAVIT	WOOD, CAROL L Search Search WOOD, CAROL L	Search 5-14N-2W SW NW
200711974	Hendricks	05/11/2007	MISC : POWER OF ATTORNEY	WOOD, CAROL L Search Search WOOD, CHRISTOPHER O	
200711975	Hendricks	05/11/2007	MISC : AFFIDAVIT	WOOD, CAROL L Search Search WOOD, CAROL L	Search 5-14N-2W SW NW
200715849	Hendricks	06/20/2007	DEED : DEED	WOOD, CAROL L Search Search WOOD, CHRISTOPHER O Search SIDDON, ADRIAN M Search SIDDON, CLYDE A	Search 5-14N-2W SW NW
200819740	Hendricks	08/19/2008	REL : MORTGAGE RELEASE	WOODS, CAROLINE W Search Search WOODS, STEVEN D Search DIVIDEND MORTGAGE Search MERS	

Document Details	County	Date	Type	Name	Legal
200931585	Hendricks	12/15/2009	MORT : MORTGAGE	WOODS, CAROLINE W Search Search WOODS, CAROLINE WRIGHT Search WOODS, STEVEN D Search WOODS, STEVEN DANIEL see details for more	Search Lot 124 OLD FARM ADDITION SECTION 8 PT B
201004790	Hendricks	03/12/2010	REL : MORTGAGE RELEASE	WOOD, CAROL H Search Search COLEMAN, CAROL A Search COLEMAN, DAVID H Search KESSINGER, BETTY ANN see details for more	
201004791	Hendricks	03/12/2010	REL : MORTGAGE RELEASE	WOOD, CAROL H Search Search COLEMAN, CAROL A Search COLEMAN, DAVID H Search KESSINGER, BETTY ANN see details for more	
201004792	Hendricks	03/12/2010	REL : MORTGAGE RELEASE	WOOD, CAROL H Search Search KESSINGER, BETTY ANN Search KESSINGER, ELIZABETH A Search KESSINGER, TERRY M see details for more	
201005843	Hendricks	03/26/2010	REL : MORTGAGE RELEASE	WOOD, CAROL H Search Search KESSINGER, BETTY ANN Search KESSINGER, TERRY M Search WOOD, ROBERT A see details for more	
201005853	Hendricks	03/26/2010	REL : MORTGAGE RELEASE	WOOD, CAROL H Search Search KESSINGER, BETTY ANN Search KESSINGER, TERRY M Search WOOD, ROBERT A see details for more	

Document Details	County	Date	Type	Name	Legal
201013696	Hendricks	07/06/2010	MORT : MORTGAGE	WOOD, CAROL Search Search KESSINGER, BETTY ANN Search KESSINGER, TERRY M Search WOOD, ROBERT A see details for more	Search Lot 1 Block 20 DANVILLE TOWN OF
201016714	Hendricks	08/09/2010	DEED : DEED	WOODS, CAROLINE W Search Search FANNIE MAE Search FEDERAL NATIONAL MORTGAGE ASSOCIATION Search WOODS, STEVEN D	Search 26-16N-1E NE
201106679	Hendricks	03/21/2011	DEED : DEED	WOODS, CAROLINE WRIGHT Search Search WOODS, STEVEN DANIEL Search GIBBONS, KATHRYN L	Search Lot 124 OLD FARM ADDITION SECTION 8 PT B
201108026	Hendricks	04/08/2011	REL : MORTGAGE RELEASE	WOODS, CAROLINE W Search Search WOODS, CAROLINE WRIGHT Search WOODS, STEVEN D Search WOODS, STEVEN DANIEL see details for more	
201300998	Hendricks	01/10/2013	DEED : DEED	WOOD, CARRIE N Search Search BELL, JEFFERY C Search BELL, MELISSA A	Search 4-15N-1E SE SW
201300999	Hendricks	01/10/2013	MORT : MORTGAGE	WOOD, CARRIE N Search Search KEYBANK	Search 4-15N-1E SE SW
201307612	Hendricks	03/18/2013	MORT : MORTGAGE	WOODS, CAROLINE W Search Search WOODS, STEVEN D Search HUNTINGTON NATIONAL BANK	Search 26-16N-1E NE

Document Details	County	Date	Type	Name	Legal
201308461	Hendricks	03/27/2013	MORT : MORTGAGE	WOOD, CAROL H Search Search KESSINGER, BETTY ANN Search KESSINGER, TERRY M Search WOOD, ROBERT A see details for more	Search Lot 1 Block 20 DANVILLE TOWN OF
201308462	Hendricks	03/27/2013	MISC : MISCELLANEOUS	WOOD, CAROL H Search Search KESSINGER, BETTY ANN Search KESSINGER, TERRY M Search WOOD, ROBERT A see details for more	Search Lot 1 Block 20 DANVILLE TOWN OF
201310410	Hendricks	04/18/2013	REL : MORTGAGE RELEASE	WOOD, CAROL Search Search KESSINGER, BETTY ANN Search KESSINGER, TERRY M Search WOOD, ROBERT A see details for more	
201427222	Hendricks	12/29/2014	MISC : MISCELLANEOUS	WOOD, CAROL H Search Search KESSINGER, BETTY ANN Search KESSINGER, TERRY M Search WOOD, ROBERT A see details for more	
201427223	Hendricks	12/29/2014	REL : MORTGAGE RELEASE	WOOD, CAROL H Search Search KESSINGER, BETTY ANN Search KESSINGER, TERRY M Search WOOD, ROBERT A see details for more	
201505354	Hendricks	03/16/2015	DEED : DEED	WOOD, CAROL H Search Search WOOD, TRAVIS A	Search Lot 3 Block 31 DANVILLE TOWN OF
201518764	Hendricks	08/13/2015	MORT : MORTGAGE	WOODS, CAROLINE W Search Search WOODS, STEVEN D Search HUNTINGTON NATIONAL BANK	Search 26-16N-1E NE

Document Details	County	Date	Type	Name	Legal
201518771	Hendricks	08/13/2015	REL : MORTGAGE RELEASE	WOODS, CAROLINE W Search Search WOODS, STEVEN D Search HUNTINGTON NATIONAL BANK	
201521505	Hendricks	09/16/2015	MISC : MISCELLANEOUS	WOOD, CAROL H Search Search DANVILLE TOWN OF Search KESSINGER, BETTY ANN Search KESSINGER, TERRY M	Search Lot 1 Block 20 DANVILLE TOWN OF
201521506	Hendricks	09/16/2015	DEED : DEED	WOOD, CAROL H Search Search KESSINGER, BETTY ANN Search KESSINGER, TERRY M Search ONE SOUTH WASHINGTON LLC	Search Lot 1 Block 20 DANVILLE TOWN OF
201525108	Hendricks	10/30/2015	PLAT : SURVEY-OVERSIZED	WOODS, CAROLINE W Search Search BATES, CHRISTOPHER S Search BATES, SUSAN A Search CECIL, RUBY F see details for more	see details Search 26-16N-1E NE see details see details
201603014	Hendricks	02/10/2016	DEED : DEED	WOOD, CAROL H Search Search LAMBERT, DONALD E	Search Lot 39 ROCKINGHAM SECTION 2
201613677	Hendricks	06/24/2016	DEED : DEED	WOOD, CAROL H Search Search BARNETT, JENNA C	Search Lot 3 Block 31 DANVILLE TOWN OF
201700223	Hendricks	01/04/2017	DEED : DEED	WOOD, CAROL H Search Search OREBAUGH, DOUGLAS E Search OREBAUGH, TAMARA S	Search Lot 7 WOODFIELD ON WASHINGTON SECTION 1
201703112	Hendricks	02/06/2017	REL : MORTGAGE RELEASE	WOODS, CAROLINE W Search Search WOODS, STEVEN D Search HUNTINGTON NATIONAL BANK	

Document Details	County	Date	Type	Name	Legal
201706687	Hendricks	03/24/2017	MORT : MORTGAGE	WOODS, CAROLINE W Search Search WOODS, STEVEN D Search HUNTINGTON NATIONAL BANK	Search 26-16N-1E NE
201810396	Hendricks	05/16/2018	DEED : DEED	WOOD, CARRIE N Search Search BARKSDALE, KOBY	Search 4-15N-1E SE SW
201811484	Hendricks	05/31/2018	REL : MORTGAGE RELEASE	WOOD, CARRIE N Search Search KEYBANK	
201913455	Hendricks	07/02/2019	REL : MORTGAGE RELEASE	WOODS, CAROLINE W Search Search WOODS, STEVEN D Search HUNTINGTON NATIONAL BANK	
202001726	Hendricks	01/22/2020	DEED : DEED	WOODS TRUST, CAROLYN ANN Search Search WOODS TRUST, WILLIAM G	Search 34-17N-1W SW NW Search 34-17N-1W NW SW Search 34-17N-1W SW SW
202013049	Hendricks	05/22/2020	MORT : MORTGAGE	WOODS, CAROLINE W Search Search WOODS, STEVEN D Search CRANE CREDIT UNION	Search 26-16N-1E NE
202022461	Hendricks	08/13/2020	DEED : DEED	WOODS, CAROLINE W Search Search WOODS, STEVEN D Search RIDENOUR TRUST, AMY S Search RIDENOUR TRUST, JAMES BRENT	Search 26-16N-1E NE
202022955	Hendricks	08/17/2020	REL : MORTGAGE RELEASE	WOODS, CAROLINE W Search Search WOODS, STEVEN D Search CRANE CREDIT UNION	
202222858	Hendricks	09/28/2022	MISC : POWER OF ATTORNEY	WOODS, CAROL J Search Search ABDOULAYE, JANET Search CLARK, JUDITH	

Document Details	County	Date	Type	Name	Legal
202222872	Hendricks	09/28/2022	DEED : DEED	WOODS, CAROL J Search Search WOODS, KEITH W Search WOODS, CAROL J	Search 2-14N-1W SE SW

The data or information provided is based on information obtained from Indiana Courts, Clerks, Recorders, and Department of Revenue, and is not to be considered or used as an official record. Doxpop, LLC, the Division of State Court Administration, the Indiana Courts and Clerks of Court, the Indiana Recorders, and the Indiana Department of Revenue: 1) Do not warrant that the information is accurate or complete; 2) Make no representations regarding the identity of any persons whose names appear in the information; and 3) Disclaim any liability for any damages resulting from the release or use of the information. The user should verify the information by personally consulting the official record maintained by the court, clerk, recorder or Department of Revenue.

Copyright © 2002-2024 Doxpop, llc. All Rights Reserved

Search Results for:

SECTION: 2
TOWNSHIP: 14N
RANGE: 1W
QUARTER: SE SW
REGION: Hendricks County, IN
DOCUMENTS VALIDATED THROUGH: 06/7/2024 3:35 PM

Showing 75 results

Filter:

Document Details	County	Date	Type	Name	Legal
195201284	Hendricks	09/15/1952	DEED : DEED	Search RHEA, BERNICE Search RHEA, JAMES R Search OWENS, CLARENCE HERSHELL Search OWENS, HERBERT F	Search 2-14N-1W SE SW Search 2-14N-1W SW SE Search 11-14N-1W E NW Search 11-14N-1W W NE
195202699	Hendricks	12/04/1952	DEED : DEED	Search OWENS, CLARENCE HERSHELL Search OWENS, DORIS JEAN Search OWENS, HERBERT F Search BASSETT, BEULAH J see details for more	Search 2-14N-1W SE SW
195303274	Hendricks	01/03/1953	DEED : DEED	Search OWENS, CLARENCE HERSHELL Search OWENS, DORIS JEAN Search OWENS, HERBERT F Search BASSETT, EUGENE N see details for more	Search 2-14N-1W SE SW Search 2-14N-1W SE SW
195304398	Hendricks	03/11/1953	LIEN : MECHANICS LIEN	Search BASSETT, BEULAH J Search BASSETT, ROY E Search STUBBLEFIELD, CLARENCE	Search 2-14N-1W SE SW
195305026	Hendricks	04/14/1953	DEED : DEED	Search BASSETT, EUGENE N Search BASSETT, RUSHIA Search BASSETT, BEULAH J Search BASSETT, ROY E	Search 2-14N-1W SE SW
195305366	Hendricks	05/01/1953	DEED : DEED	Search OWENS, CLARENCE HERSHELL Search OWENS, DORIS JEAN Search OWENS, HERBERT F Search MAAR, BETTY J see details for more	Search 2-14N-1W SE SW
195307741	Hendricks	09/18/1953	DEED : DEED	Search OWENS, CLARENCE HERSHELL Search OWENS, DORIS JEAN Search OWENS, HERBERT F Search MCNEFF, GENEVIEVE C see details for more	Search 2-14N-1W SE SW Search 11-14N-1W W NE NW

Document Details	County	Date	Type	Name	Legal
195307742	Hendricks	09/18/1953	MISC : AFFIDAVIT	Search OWENS, CLARENCE HERSCHEL Search OWENS, DORIS JEAN Search OWENS, HERBERT F Search MCNEFF, JOHN J	Search 2-14N-1W SE SW Search 11-14N-1W W NE NW
195510289	Hendricks	10/26/1955	DEED : DEED	Search BASSETT, BEULAH J Search BASSETT, EUGENE N Search BASSETT, ROY E Search BASSETT, RUSHIA see details for more	Search 2-14N-1W SE SW
195602251	Hendricks	06/07/1956	DEED : DEED	Search OWENS, CLARENCE HERSCHELL Search OWENS, DORIS JEAN Search OWENS, HERBERT F Search MAAR, BETTY J see details for more	Search 2-14N-1W SE SW
195708241	Hendricks	04/05/1957	DEED : DEED	Search TURNER, ELEANOR W Search TURNER, FRANK Search LOYD, HARVEY D	Search 2-14N-1W SE SW
195710161	Hendricks	07/18/1957	DEED : DEED	Search BASSETT, EUGENE N Search BASSETT, RUSHIA Search DARNELL, ARNOLD E Search DARNELL, HELEN V	Search 2-14N-1W SE SW
195907647	Hendricks	01/08/1959	DEED : DEED	Search LOYD, HARVEY D Search LOYD, RUTH S Search FERGUSON, MARY FRANCES	Search 2-14N-1W SE SW
195907648	Hendricks	01/08/1959	DEED : DEED	Search FERGUSON, MARY FRANCES Search LOYD, HARVEY D Search LOYD, RUTH S	Search 2-14N-1W SE SW
196200974	Hendricks	10/24/1962	MISC : RIGHT OF WAY	Search MCNEFF, GENEVIEVE C Search MCNEFF, JOHN J Search HENDRICKS COUNTY BOARD OF COMMISSIONERS	Search 2-14N-1W SE SW Search 11-14N-1W W NE NW
196910981	Hendricks	03/27/1969	DEED : DEED	Search LOYD, RUTH S Search PURCELL, ERIS A Search PURCELL, KEITH	Search 2-14N-1W SE SW
196902884	Hendricks	11/26/1969	DEED : DEED	Search MAAR, BETTY J Search MAAR, ROBERT W Search LEWIS, DON ROLAND Search LEWIS, ERIKA J	Search 2-14N-1W SE SW
196902885	Hendricks	11/26/1969	MORT : MORTGAGE	Search LEWIS, DON ROLAND Search LEWIS, ERIKA J Search VETERANS AFFAIRS	Search 2-14N-1W SE SW
197008960	Hendricks	12/28/1970	MORT : MORTGAGE	Search DARNELL, ARNOLD E Search DARNELL, HELEN V Search INDIANA NATIONAL BANK	Search 2-14N-1W SE SW

Document Details	County	Date	Type	Name	Legal
197304719	Hendricks	06/02/1973	MORT : MORTGAGE	Search DARNELL, ARNOLD E Search DARNELL, HELEN V Search FIRST NATIONAL BANK AND TRUST	Search 2-14N- 1W SE SW
197412419	Hendricks	03/19/1974	MORT : MORTGAGE	Search PURCELL, ERIS A Search PURCELL, KEITH Search DANVILLE STATE BANK	Search 2-14N- 1W SE SW
197412673	Hendricks	03/29/1974	MISC : AFFIDAVIT OF SURVIVORSHIP	Search MCNEFF, GENEVIEVE C Search MCNEFF, JOHN J	Search 2-14N- 1W SE SW Search 11- 14N-1W W NE NW
197500085	Hendricks	11/24/1975	DEED : DEED	Search PURCELL, ERIS A Search PURCELL, KEITH Search ROGERS, ELAINE M Search ROGERS, MICHAEL C	Search 2-14N- 1W SE SW
197500086	Hendricks	11/24/1975	MORT : MORTGAGE	Search ROGERS, ELAINE M Search ROGERS, MICHAEL C Search FIRST FEDERAL SAVINGS AND LOAN ASSOCIATION OF HENDRICKS COUNTY	Search 2-14N- 1W SE SW
197709007	Hendricks	11/22/1977	DEED : DEED	Search MCNEFF, JOHN J Search NORRIS, BILLIE E Search NORRIS, JAMES B	Search 2-14N- 1W SE SW Search 11- 14N-1W NW NE NW Search 11- 14N-1W SW NE NW
197709008	Hendricks	11/22/1977	MORT : MORTGAGE	Search NORRIS, BILLIE E Search NORRIS, JAMES B Search FEDERAL LAND BANK OF LOUISVILLE	Search 2-14N- 1W SE SW Search 11- 14N-1W W NE NW
198004319	Hendricks	07/22/1980	MORT : MORTGAGE	Search DARNELL, ARNOLD E Search DARNELL, HELEN V Search FIRST NATIONAL BANK AND TRUST	Search 2-14N- 1W SE SW
198201017	Hendricks	06/30/1982	DEED : DEED	Search BASSETT, BEULAH J Search BASSETT, ROY E Search DAVIS, BONNIE J Search DAVIS, FRED A	Search 2-14N- 1W SE SW
198201018	Hendricks	06/30/1982	MORT : MORTGAGE	Search DAVIS, BONNIE J Search DAVIS, FRED A Search AMERICAN FLETCHER MORTGAGE	Search 2-14N- 1W SE SW
198201150	Hendricks	07/08/1982	ASGN : MORTGAGE ASSIGNMENT	Search DAVIS, BONNIE J Search DAVIS, FRED A Search FEDERAL NATIONAL MORTGAGE ASSOCIATION	Search 2-14N- 1W SE SW

Document Details	County	Date	Type	Name	Legal
198308387	Hendricks	05/24/1983	MORT : MORTGAGE	Search DARNELL, ARNOLD E Search THORP CREDIT OF INDIANA	Search 2-14N- 1W SE SW
198310465	Hendricks	07/29/1983	MORT : MORTGAGE	Search DAVIS, BONNIE J Search DAVIS, FRED A Search LINCOLN FEDERAL SAVINGS AND LOAN	Search 2-14N- 1W SE SW
198513123	Hendricks	10/16/1985	MORT : MORTGAGE	Search DARNELL, ARNOLD E Search MID STATE BANK	Search 2-14N- 1W SE SW
198513226	Hendricks	10/21/1985	DEED : DEED	Search ROGERS, ELAINE M Search ROGERS, MICHAEL C	Search 2-14N- 1W SE SW
198513227	Hendricks	10/21/1985	MORT : MORTGAGE	Search ROGERS, MICHAEL C Search LINCOLN FEDERAL SAVINGS BANK	Search 2-14N- 1W SE SW
198619579	Hendricks	05/09/1986	MISC : AFFIDAVIT OF SURVIVORSHIP	Search DARNELL, HELEN V Search DARNELL, ARNOLD E	Search 2-14N- 1W SE SW
198619580	Hendricks	05/09/1986	MORT : MORTGAGE	Search DARNELL, ARNOLD E Search MID STATE BANK OF HENDRICKS COUNTY	Search 2-14N- 1W SE SW
198601868	Hendricks	07/01/1986	DEED : DEED	Search ROGERS, MICHAEL C Search WOODS, CAROL J Search WOODS, KEITH W	Search 2-14N- 1W SE SW
198601869	Hendricks	07/01/1986	MORT : MORTGAGE	Search WOODS, CAROL J Search WOODS, KEITH W Search RAILROADMENS FEDERAL SAVINGS AND LOAN	Search 2-14N- 1W SE SW
198608488	Hendricks	10/31/1986	MORT : MORTGAGE	Search DARNELL, ARNOLD E Search MID STATE BANK OF HENDRICKS COUNTY	Search 2-14N- 1W SE SW
198717902	Hendricks	12/23/1987	DEED : DEED	Search NORRIS, BILLIE E Search NORRIS, JAMES B Search KNOX, J W Search KNOX, MARY E	Search 2-14N- 1W SE SW
198804223	Hendricks	06/06/1988	MORT : MORTGAGE	Search DAVIS, BONNIE J Search DAVIS, FRED A Search LINCOLN FEDERAL SAVINGS BANK	Search 2-14N- 1W SE SW
198905145	Hendricks	02/23/1989	MORT : MORTGAGE	Search DAVIS, BONNIE J Search DAVIS, FRED A Search BENEFICIAL MORTGAGE	Search 2-14N- 1W SE SW
198905171	Hendricks	02/24/1989	MORT : MORTGAGE	Search DARNELL, ARNOLD E Search MID STATE BANK	Search 2-14N- 1W SE SW
199001611	Hendricks	03/14/1990	DEED : DEED	Search DARNELL, ARNOLD E Search DARNELL, ARNOLD E Search DARNELL, DOROTHY E	Search 2-14N- 1W SE SW

Document Details	County	Date	Type	Name	Legal
199002302	Hendricks	03/29/1990	DEED : DEED	Search HADLEY, MYRON C Search HADLEY TRUST, MYRON C	Search 2-14N-1W NE SW Search 2-14N-1W SE SW Search 2-14N-1W NW SE Search 2-14N-1W NW SW see details for more
199007415	Hendricks	07/16/1990	MORT : MORTGAGE	Search DAVIS, BONNIE J Search DAVIS, FRED A Search FIRST UNION HOME EQUITY	Search 2-14N-1W SE SW
199313355	Hendricks	07/01/1993	MISC : LEASE	Search DARNELL, ARNOLD E Search DARNELL, DOROTHY E Search ANDERSON, DONNA Search ANDERSON, JERRY LEE	Search 2-14N-1W SE SW
199316903	Hendricks	08/17/1993	MORT : MORTGAGE	Search DARNELL, ARNOLD E Search DARNELL, DOROTHY E Search HUNTINGTON NATIONAL BANK	Search 2-14N-1W SE SW
199325511	Hendricks	12/01/1993	MORT : MORTGAGE	Search DAVIS, BONNIE J Search DAVIS, FRED A Search FIRST UNION HOME EQUITY	Search 2-14N-1W SE SW
199412371	Hendricks	06/13/1994	REL : MORTGAGE RELEASE	Search DAVIS, BONNIE J Search DAVIS, FRED A Search FIRST UNION HOME EQUITY Search FIRST UNION MORTGAGE	Search 2-14N-1W SE SW
199420461	Hendricks	10/17/1994	DEED : DEED	Search DARNELL, ARNOLD E Search DARNELL, DOROTHY Search SHOULDERS, REBECCA J Search SHOULDERS, ROBERT E	Search 2-14N-1W SW Search 2-14N-1W SE SW
199420462	Hendricks	10/17/1994	MORT : MORTGAGE	Search SHOULDERS, REBECCA J Search SHOULDERS, ROBERT E Search LINCOLN FEDERAL SAVINGS BANK	Search 2-14N-1W SE SW Search 2-14N-1W SW
199507786	Hendricks	05/17/1995	MORT : MORTGAGE	Search LEWIS, DON ROLAND Search LEWIS, ERIKA J Search BANK ONE	Search 2-14N-1W SE SW
199617618	Hendricks	08/19/1996	MORT : MORTGAGE	Search DAVIS, BONNIE J Search DAVIS, FRED A Search HOOSIER FUNDING NETWORK	Search 2-14N-1W SE SW

Document Details	County	Date	Type	Name	Legal
199617619	Hendricks	08/19/1996	ASGN : MORTGAGE ASSIGNMENT	Search DAVIS, BONNIE J Search DAVIS, FRED A Search ACCUBANC MORTGAGE	Search 2-14N-1W SE SW
199617620	Hendricks	08/19/1996	MORT : MORTGAGE	Search DAVIS, BONNIE J Search DAVIS, FRED A Search BANK ONE	Search 2-14N-1W SE SW
199714563	Hendricks	07/17/1997	MORT : MORTGAGE	Search SHOULDERS, REBECCA J Search SHOULDERS, ROBERT E Search LINCOLN FEDERAL SAVINGS	Search 2-14N-1W SW Search 2-14N-1W SE SW
199912643	Hendricks	04/27/1999	MORT : MORTGAGE	Search DAVIS, BONNIE J Search DAVIS, FRED A Search WASHTENAW MORTGAGE	Search 2-14N-1W SE SW
199913277	Hendricks	05/03/1999	MORT : MORTGAGE	Search LEWIS, ERIKA J Search BANK ONE INDIANA	Search 2-14N-1W SE SW
199921949	Hendricks	07/23/1999	MORT : MORTGAGE	Search SHOULDERS, REBECCA J Search SHOULDERS, ROBERT E Search LINCOLN FEDERAL SAVINGS	Search 2-14N-1W SW Search 2-14N-1W SE SW
200005167	Hendricks	03/09/2000	MORT : MORTGAGE	Search DAVIS, BONNIE J Search DAVIS, FRED A Search NEW STATE MORTGAGE	Search 2-14N-1W SE SW
200025816	Hendricks	11/03/2000	DEED : DEED	Search HADLEY TRUST, MYRON C Search VISION LLC	Search 2-14N-1W NE SW Search 2-14N-1W SE SW Search 2-14N-1W NW SE Search 2-14N-1W NW SW see details for more
200025820	Hendricks	11/03/2000	MORT : MORTGAGE	Search BRENEMAN FARMS INC Search RJB FARMS INC Search VISION LLC Search FARM CREDIT SERVICES	Search Lot 25 WESTERN ADDITION Search Lot 23 WESTERN ADDITION Search 2-14N-1W SE SW Search 5-14N-1W SE SE see details for more
200309202	Hendricks	03/04/2003	MORT : MORTGAGE	Search LEWIS, ERIKA J Search BANK ONE	Search 2-14N-1W SE SW

Document Details	County	Date	Type	Name	Legal
200905843	Hendricks	03/11/2009	MORT : MORTGAGE	Search SHOULDERS, REBECCA J Search SHOULDERS, ROBERT E Search LINCOLN BANK	Search 2-14N-1W SE SW Search 2-14N-1W SW
201511006	Hendricks	05/26/2015	MISC : TRANSFER ON DEATH DEED	Search KNOX, J W Search KNOX, J W Search SMITH, JAMES A	Search 2-14N-1W SE SW Search 11-14N-1W W NE NW
201523545	Hendricks	10/13/2015	MISC : TRANSFER ON DEATH DEED	Search KNOX, J W Search KNOX, J W	Search 2-14N-1W SE SW
201523546	Hendricks	10/13/2015	MISC : TRANSFER ON DEATH DEED	Search KNOX, J W Search KNOX, J W Search KNOX, JAMES JUNIOR Search MCMURRY, ELIZABETH ELLEN	Search 2-14N-1W SE SW
201523547	Hendricks	10/13/2015	MISC : TRANSFER ON DEATH DEED	Search KNOX, J W Search KNOX, J W Search SMITH, JAMES A	Search 11-14N-1W W NE NW Search 2-14N-1W SE SW
201802053	Hendricks	01/29/2018	MISC : POWER OF ATTORNEY	Search LEWIS, ERIKA J Search LEWIS, RICHARD Search LEWIS, ROLAND	Search 2-14N-1W SE SW
201802422	Hendricks	02/02/2018	DEED : DEED	Search LEWIS, ERIKA J Search LEWIS, RICHARD	Search 2-14N-1W SE SW
202116318	Hendricks	05/17/2021	MORT : MORTGAGE	Search DAVIS, BONNIE J Search DAVIS, FRED A Search FIRST NATIONAL BANK	Search 2-14N-1W SE SW
202222872	Hendricks	09/28/2022	DEED : DEED	Search WOODS, CAROL J Search WOODS, KEITH W Search WOODS, CAROL J	Search 2-14N-1W SE SW
202225580	Hendricks	11/03/2022	MISC : TRANSFER ON DEATH DEED	Search KNOX, J W Search KNOX, MARY E Search SMITH, GORDON	Search 2-14N-1W SE SW

The data or information provided is based on information obtained from Indiana Courts, Clerks, Recorders, and Department of Revenue, and is not to be considered or used as an official record. Doxpop, LLC, the Division of State Court Administration, the Indiana Courts and Clerks of Court, the Indiana Recorders, and the Indiana Department of Revenue: 1) Do not warrant that the information is accurate or complete; 2) Make no representations regarding the identity of any persons whose names appear in the information; and 3) Disclaim any liability for any damages resulting from the release or use of the information. The user should verify the information by personally consulting the official record maintained by the court, clerk, recorder or Department of Revenue.

Copyright © 2002-2024 Doxpop, Ilc. All Rights Reserved

Search Results for:

NAME: Woods, Kaith (Super Search)



REGION: Hendricks County, IN

DOCUMENTS VALIDATED THROUGH: 06/7/2024 3:35 PM

Showing 0 results

Filter:

Document Details	County	Date	Type	Name	Legal
------------------	--------	------	------	------	-------

No items to display.

The data or information provided is based on information obtained from Indiana Courts, Clerks, Recorders, and Department of Revenue, and is not to be considered or used as an official record. Doxpop, LLC, the Division of State Court Administration, the Indiana Courts and Clerks of Court, the Indiana Recorders, and the Indiana Department of Revenue: 1) Do not warrant that the information is accurate or complete; 2) Make no representations regarding the identity of any persons whose names appear in the information; and 3) Disclaim any liability for any damages resulting from the release or use of the information. The user should verify the information by personally consulting the official record maintained by the court, clerk, recorder or Department of Revenue.

Copyright © 2002-2024 Doxpop, llc. All Rights Reserved

Search Results for:

NAME: Abdoulaye, Janet (Super Search)



REGION: Hendricks County, IN

DOCUMENTS VALIDATED THROUGH: 06/7/2024 3:35 PM

Showing 2 results

Filter:

Document Details	County	Date	Type	Name	Legal
202222821	Hendricks	09/28/2022	MISC : POWER OF ATTORNEY	ABDOULAYE, JANET Search Search WOODS, KEITH W Search CLARK, JUDITH	
202222858	Hendricks	09/28/2022	MISC : POWER OF ATTORNEY	ABDOULAYE, JANET Search Search WOODS, CAROL J Search CLARK, JUDITH	

The data or information provided is based on information obtained from Indiana Courts, Clerks, Recorders, and Department of Revenue, and is not to be considered or used as an official record. Doxpop, LLC, the Division of State Court Administration, the Indiana Courts and Clerks of Court, the Indiana Recorders, and the Indiana Department of Revenue: 1) Do not warrant that the information is accurate or complete; 2) Make no representations regarding the identity of any persons whose names appear in the information; and 3) Disclaim any liability for any damages resulting from the release or use of the information. The user should verify the information by personally consulting the official record maintained by the court, clerk, recorder or Department of Revenue.

Copyright © 2002-2024 Doxpop, llc. All Rights Reserved

Search Results for:

NAME: Abdoulaye, Janet (Super Search)



REGION: Hendricks County, IN

DOCUMENTS VALIDATED THROUGH: 06/7/2024 3:35 PM

Showing 2 results

Filter:

Document Details	County	Date	Type	Name	Legal
202222821	Hendricks	09/28/2022	MISC : POWER OF ATTORNEY	ABDOULAYE, JANET Search Search WOODS, KEITH W Search CLARK, JUDITH	
202222858	Hendricks	09/28/2022	MISC : POWER OF ATTORNEY	ABDOULAYE, JANET Search Search WOODS, CAROL J Search CLARK, JUDITH	

The data or information provided is based on information obtained from Indiana Courts, Clerks, Recorders, and Department of Revenue, and is not to be considered or used as an official record. Doxpop, LLC, the Division of State Court Administration, the Indiana Courts and Clerks of Court, the Indiana Recorders, and the Indiana Department of Revenue: 1) Do not warrant that the information is accurate or complete; 2) Make no representations regarding the identity of any persons whose names appear in the information; and 3) Disclaim any liability for any damages resulting from the release or use of the information. The user should verify the information by personally consulting the official record maintained by the court, clerk, recorder or Department of Revenue.

Copyright © 2002-2024 Doxpop, llc. All Rights Reserved