



**Legal and Vesting
Product Cover Sheet**

ORDER INFORMATION

FILE/ORDER NUMBER:	HELOC - CORWELL	PRODUCT NAME:	LEGAL & VESTING REPORT
BORROWER NAME(S)	CHRISTOPHER CORNWELL AND BARBARA CORNWELL		
PROPERTY ADDRESS:	248 NORTH WOODRIDGE DRIVE, PITTSBORO, INDIANA, 46167		
CITY, STATE AND COUNTY:	PITTSBORO, INDIANA (IN) AND HENDRICKS		

SEARCH INFORMATION

SEARCH DATE:	01/17/2024	EFFECTIVE DATE:	01/16/2024
NAME(S) SEARCHED:	CHRISTOPHER CORNWELL AND BARBARA CORNWELL		
ADDRESS/PARCEL SEARCHED:	248 NORTH WOODRIDGE DRIVE, PITTSBORO, INDIANA, 46167/32-07-06-240-007.000-019		

ASSESSMENT INFORMATION

COMMENTS:	
-----------	--

CURRENT OWNER VESTING

CHRISTOPHER C. CORNWELL AND BARBARA S. CORNWELL, HUSBAND AND WIFE

COMMENTS:	
-----------	--

VESTING DEED

DEED TYPE:	TRUSTEE'S DEED	GRANTOR:	DONNA R. MEEBOER , TRUSTEE OF THE DONNA R. MEEBOER LIVING TRUST DATED MARCH 14, 1994.
DATED DATE:	05/12/2014	GRANTEE:	CHRISTOPHER C. CORNWELL AND BARBARA S. CORNWELL, HUSBAND AND WIFE
BOOK/PAGE:	N/A	RECORDED DATE:	05/16/2014
INSTRUMENT NO:	201409635		
COMMENTS:			

FOR PREAMBLE

CITY/TOWNSHIP/PARISH:	CITY OF PITTSBORO
-----------------------	-------------------

ADDITIONAL NOTES

--

LEGAL DESCRIPTION

THE FOLLOWING DESCRIBED REAL ESTATE IN HENDRICKS COUNTY, STATE OF INDIANA, TO-WIT:

LOT NUMBERED EIGHT (8) IN THE SECONDARY PLAT FOR WOODRIDGE COMMONS, AN ADDITION TO THE TOWN OF PITTSBORO, HENDRICKS COUNTY, INDIANA, AS PER PLAT THEREOF RECORDED OCTOBER 14, 2004, IN PLAT CABINET 5, SLIDE 198, PAGE 2, IN THE OFFICE OF THE RECORDER OF HENDRICKS COUNTY, INDIANA.

Hendricks County, IN

Property Record Card 2023 (Assessor)

[2023 Property Record Card \(PDF\)](#)

Form 11

[32-07-06-240-007.000-019 \(PDF\)](#)

Summary

Parcel ID 32-07-06-240-007.000-019
Bill ID 020-106611-240007
Reference # -
Property Address 248 N Woodridge Dr
 Pittsboro, IN, 46167
Brief Legal Description Lot 8 Woodridge Commons .26AC came from
 20-1-06-61E 200-020
(Note: Not to be used on legal documents)
Class RESIDENTIAL ONE FAMILY DWELLING ON
 A PLATTED LOT
Tax District Town Of Pittsboro
Tax Rate Code 85 - Advertised Tax Rate
Property Type 82 - Residential
Mortgage Co 262 - Wells Fargo Real Estate Tax S
Last Change Date 3/14/2018



Owner

Deeded Owner
[CORNWELL CHRISTOPHER C & BARBARA S H/W](#)
 248 N Woodridge Dr
 Pittsboro, IN 46167

Taxing District

County: Hendricks
Township: MIDDLE TOWNSHIP
State District: 019 PITTSBORO TOWN
Local District: 020
School Corp: NORTHWEST HENDRICKS
Neighborhood: 2050520 WOODRIDGE COMMONS (20)

Site Description

Topography:
Public Utilities:
Street or Road:
Area Quality: Improving
Parcel Acreage: 0.26

Land

Land Type	Soil ID	Act Front.	Eff. Depth	Size	Rate	Adj. Rate	Ext. Value	Infl. %	Value
9 - HOMESITE		0	0	1	\$52,590.00	\$52,590.00	\$52,590.00	\$0.00	\$52,590.00

Residential Dwellings

Description	Single-Family
Story Height	1
Style	
Finished Area	2530
# Fireplaces	0
Heat Type	Central Warm Air
Air Cond	2530
Bedrooms	3
Living Rooms:	0
Dining Rooms:	0
Family Rooms:	0
Finished Rooms:	0
Full Baths	2
Full Bath Fixtures	6
Half Baths	1
Half Bath Fixtures	2
Kitchen Sinks	1
Water Heaters	1
Add Fixtures	2

Floor	Construction	Base	Finish
1	Brick	2530	2530
C		2530	0

Features	Area
Porch, Open Frame	128
Wood Deck	356

Improvements

Descr	PC	Grade	Year Built	Eff Year	Cond	LCM	Size	Nbhd Factor	Mrkt Factor
Single-Family	100	B	2017	2017	A	1.01	2530	1.43	0

Transfers

Date	New Owner	Doc ID	Book/Page	Sale Price
5/16/2014	CORNWELL, CHRISTOPHER C & BARBARA S	TRD		\$27,000.00
2/10/2006	DONNA R MEEBOER LIV TRUST		0/0	\$0.00
10/28/2004	WOODRIDGE DEVELOPMENT GROUP			\$0.00
10/14/2004	WOODLAND HILLS DEVELOPMENT GROUP INC			\$0.00

Transfer History

Date	Transfer From	Instrument	Book	Page	Doc Nbr
5/16/2014	MEEBOER DONNA R LIVING TRUST				TRD
2/10/2006	Woodridge Development Group Inc				CWD
10/28/2004	Woodland Hills Development Group Inc				CWD
10/14/2004					Plat

Valuation

Assessment Year	2023	2022	2021	2020	2019
Reason	ANNUAL ADJUSTMENT	ANNUAL ADJUSTMENT	ANNUAL ADJUSTMENT	ANNUAL ADJUSTMENT	ANNUAL ADJUSTMENT
As Of Date	4/6/2023	4/7/2022	3/27/2021	4/1/2020	3/22/2019
Land	\$52,600	\$50,100	\$50,100	\$50,100	\$50,100
Land Res (1)	\$52,600	\$50,100	\$50,100	\$50,100	\$50,100
Land Non Res (2)	\$0	\$0	\$0	\$0	\$0
Land Non Res (3)	\$0	\$0	\$0	\$0	\$0
Improvement	\$367,400	\$320,300	\$274,500	\$274,500	\$267,200
Imp Res (1)	\$367,400	\$320,300	\$274,500	\$274,500	\$267,200
Imp Non Res (2)	\$0	\$0	\$0	\$0	\$0
Imp Non Res (3)	\$0	\$0	\$0	\$0	\$0
Total	\$420,000	\$370,400	\$324,600	\$324,600	\$317,300
Total Res (1)	\$420,000	\$370,400	\$324,600	\$324,600	\$317,300
Total Non Res (2)	\$0	\$0	\$0	\$0	\$0
Total Non Res (3)	\$0	\$0	\$0	\$0	\$0

Taxes

[Click here to view Hendricks County tax data](#)

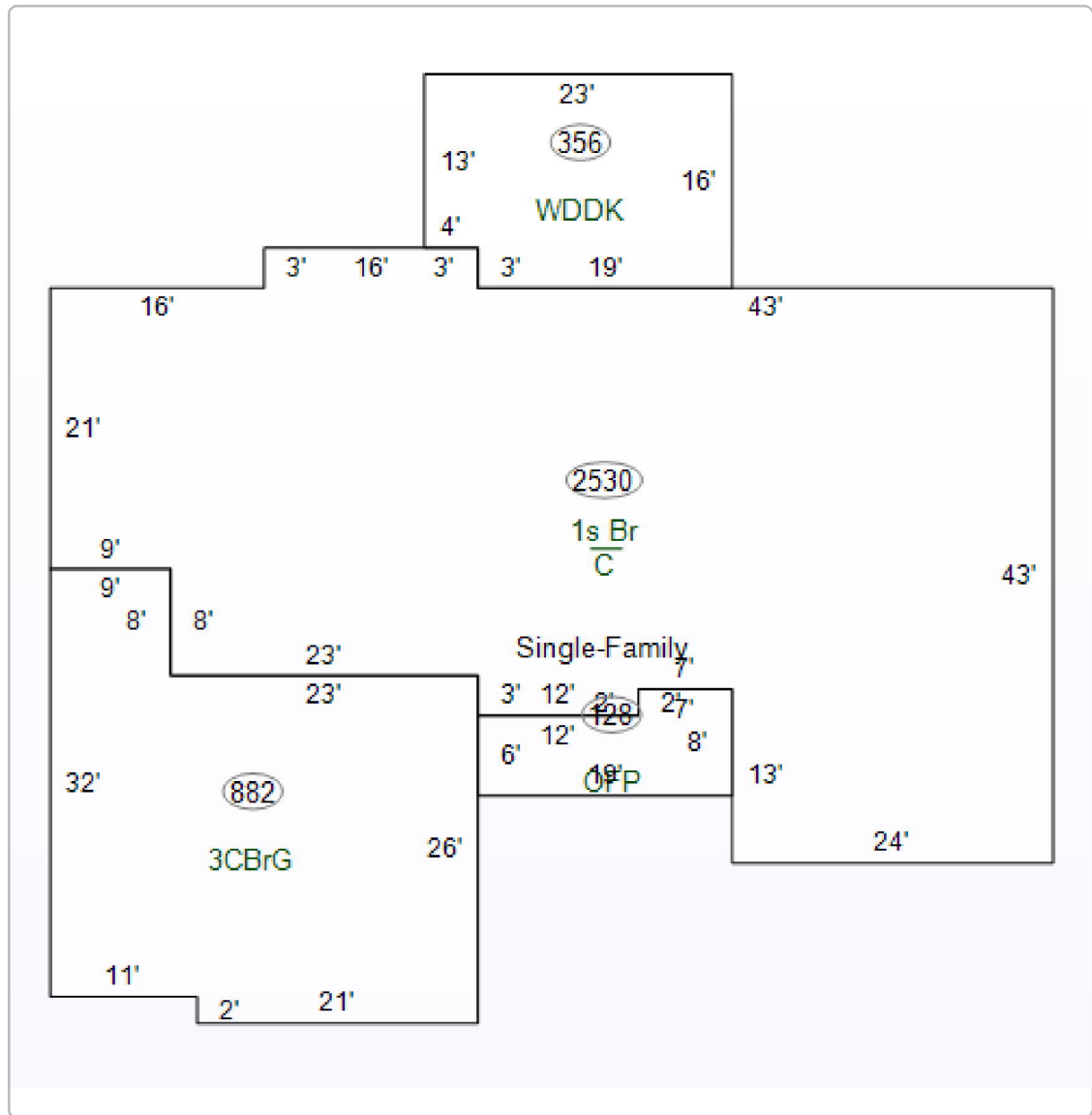
Tax History

	2021 Pay 2022	2020 Pay 2021	2019 Pay 2020	2018 Pay 2019
+ Spring Tax	\$1,623.00	\$1,623.00	\$1,586.50	\$1,528.00
+ Spring Penalty	\$0.00	\$0.00	\$0.00	\$0.00
+ Spring Annual	\$0.00	\$0.00	\$0.00	\$0.00
+ Fall Tax	\$1,623.00	\$1,623.00	\$1,586.50	\$1,528.00
+ Fall Penalty	\$0.00	\$0.00	\$0.00	\$0.00
+ Fall Annual	\$0.00	\$0.00	\$0.00	\$0.00
+ Delq NTS Tax	\$0.00	\$0.00	\$0.00	\$0.00
+ Delq NTS Pen	\$0.00	\$0.00	\$0.00	\$0.00
+ Delq TS Tax	\$0.00	\$0.00	\$0.00	\$0.00
+ Delq TS Pen	\$0.00	\$0.00	\$0.00	\$0.00
+ Other Assess	\$0.00	\$0.00	\$0.00	\$0.00
<hr/>				
+ Advert Fee	\$0.00	\$0.00	\$0.00	\$0.00
+ Tax Sale Fee	\$0.00	\$0.00	\$0.00	\$0.00
+ NSF Fee	\$0.00	\$0.00	\$0.00	\$0.00
<hr/>				
PTRC	\$0.00	\$0.00	\$0.00	\$0.00
HMST Credit	\$0.00	\$0.00	\$0.00	\$0.00
Circuit Breaker	\$957.57	\$1,260.91	\$1,302.18	\$2,338.45
Over 65 CB	\$0.00	\$0.00	\$0.00	\$0.00
<hr/>				
= Charges	\$3,246.00	\$3,246.00	\$3,173.00	\$3,056.00
- Surplus Transfer	\$0.00	\$0.00	\$0.00	\$0.00
- Credits	(\$3,246.00)	(\$3,246.00)	(\$3,173.00)	(\$3,056.00)
= Total Due	\$0.00	\$0.00	\$0.00	\$0.00

Photos



Sketches



No data available for the following modules: Assessment Appeals Process, Commercial Buildings, Septic Permits.

The information in this web site represents current data from a working file which is updated continuously. Information is believed reliable, but its accuracy cannot be guaranteed. No warranty, expressed or implied, is provided for the data herein, or its use.
| [User Privacy Policy](#) | [GDPR Privacy Notice](#)
[Last Data Upload: 17/01/2024, 14:40:19](#)

Contact Us



DULY ENTERED
FOR TAXATION

MAY 16 2014

Cinda Kattan
AUDITOR HENDRICKS COUNTY

201409635 DEED \$18.00
05/16/2014 02:16:13P 2 PGS
Theresa Lynch
Hendricks County Recorder IN
Recorded as Presented



020-106611-240 007

TRUSTEE'S DEED

THIS INDENTURE WITNESSETH, that **Donna R. Meeboer, Trustee of the Donna R. Meeboer Living Trust dated March 14, 1994** ("Grantor"), by virtue of the power and authority granted under the provisions of said Trust Agreement and under Indiana Code, hereby conveys to **Christopher C. Cornwell and Barbara S. Cornwell, husband and wife** ("Grantee") for the sum of one dollar (\$1.00) and other valuable consideration, the receipt of which is hereby acknowledged, the following described real estate in Hendricks County, State of Indiana, to-wit:

Lot Numbered Eight (8) in the Secondary Plat for Woodridge Commons, an addition to the Town of Pittsboro, Hendricks County, Indiana, as per plat thereof recorded October 14, 2004, in Plat Cabinet 5, Slide 198, page 2, in the office of the Recorder of Hendricks County, Indiana.

Subject to all easements, restrictions and rights of way.
Subject to all taxes now a lien and to become a lien thereon.

Address and/or Parcel Number: 248 Woodridge, Pittsboro, IN 46167
32-07-06-240-007.000-019

The undersigned person executing this deed on behalf of Grantor represents and certifies that she is duly authorized to execute and deliver this deed and that she has full legal capacity to convey the real estate described herein, as acting Trustee of the Grantor trust.

IN WITNESS WHEREOF, the said Donna R. Meeboer, Trustee of the Donna R. Meeboer Living Trust dated March 14, 1994, has hereunto set her hand, this 12th day of May, 2014.

The Donna R. Meeboer Living Trust dated March 14, 1994

By: Donna R. Meeboer, Trustee
Donna R. Meeboer, Trustee

Notary acknowledgement on separate attached page.

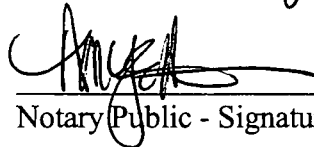
182

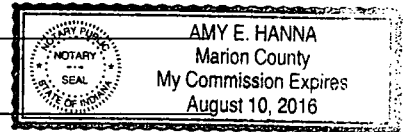
STATE OF INDIANA)
) SS:
COUNTY OF HENDRICKS)

Before me, a Notary Public in and for said County and State, personally appeared Donna R. Meeboer, Trustee of the Donna R. Meeboer Living Trust dated March 14, 1994, and acknowledged the execution of said Trustee's Deed to be her voluntary act and deed for the uses and purposes expressed therein.

Witness my hand and notarial seal this 12th day of May, 2014.

My Commission Expires:
8-10-2016


Notary Public - Signature



Resident of Marion County

Notary Public - Printed Name

✓ Send Tax Bills To: 250 N. WOODRIDGE DR PITTSBORO, IN 46167

Grantee's Mailing Address: 250 N. WOODRIDGE DR PITTSBORO, IN 46167

Commitment No.: 14-05012

I affirm, under penalties for perjury, that I have taken reasonable care to redact each Social Security number in this document, unless required by law, Ben Comer.

This instrument was prepared by Ben Comer, Attorney-at-Law, 71 West Marion Street, P.O. Box 207, Danville, Indiana 46122, telephone: (317) 745-4300.

Search Results for:

NAME: Cornwell, Barbara (Super Search)



REGION: Hendricks County, IN

DOCUMENTS VALIDATED THROUGH: 01/17/2024 3:14 PM

Showing 120 results

Filter:

Document Details	County	Date	Type	Name	Legal
198618328	Hendricks	04/04/1986	DEED : DEED	CORNWELL, BARBARA Search Search HENRY, ETHEL Search HENRY, IVAN Search CORNWELL, CHRISTOPHER	Search 12-16N-1W NE
198618330	Hendricks	04/04/1986	EASEMENT : EASEMENT	CORNWELL, BARBARA Search Search CORNWELL, CHRISTOPHER Search HENDRICKS COUNTY REMC	Search 12-16N-1W NE
198618331	Hendricks	04/04/1986	EASEMENT : EASEMENT	CORNWELL, BARBARA Search Search CORNWELL, CHRISTOPHER Search HENDRICKS COUNTY RURAL ELECTRIC MEMBERSHIP CORPORATION	Search 12-16N-1W NE
198618332	Hendricks	04/04/1986	EASEMENT : EASEMENT	CORNWELL, BARBARA Search Search CORNWELL, CHRISTOPHER Search HENDRICKS COUNTY RURAL ELECTRIC MEMBERSHIP CORPORATION	Search 12-16N-1W NE NE Search 12-16N-1W NW NE Search 1-16N-1W SE SE
198706000	Hendricks	04/20/1987	MORT : MORTGAGE	CORNWELL, BARBARA Search Search CORNWELL, CHRISTOPHER Search HENDRICKS COUNTY BANK AND TRUST	Search 12-16N-1W NE
199203208	Hendricks	02/27/1992	MORT : MORTGAGE	CORNWELL, BARBARA Search Search CORNWELL, CHRISTOPHER Search HENDRICKS COUNTY BANK TR	Search 12-16N-1W NE

Document Details	County	Date	Type	Name	Legal
199203209	Hendricks	02/27/1992	MORT : MORTGAGE SUBORDINATION	CORNWELL, BARBARA Search Search CORNWELL, CHRISTOPHER Search HENDRICKS COUNTY BANK TR	Search 12-16N-1W NE
199307827	Hendricks	04/30/1993	REL : MORTGAGE RELEASE	CORNWELL, BARBARA Search Search CORNWELL, CHRISTOPHER Search HENDRICKS COUNTY BANK TR	
199307828	Hendricks	04/30/1993	MORT : MORTGAGE	CORNWELL, BARBARA Search Search CORNWELL, CHRISTOPHER Search HENDRICKS COUNTY BANK AND TRUST	Search 12-16N-1W NE
199506604	Hendricks	04/28/1995	REL : MORTGAGE RELEASE	CORNWELL, BARBARA Search Search CORNWELL, CHRISTOPHER Search HENDRICKS COUNTY BANK AND TRUST	
199511986	Hendricks	07/25/1995	DEED : DEED	CORNWELL, BARBARA Search Search GOWAN, DANIEL L Search CORNWELL, CHRISTOPHER	Search Lot 13 REEDS SUBDIVISION Search Lot 14 REEDS SUBDIVISION
199511987	Hendricks	07/25/1995	MORT : MORTGAGE	CORNWELL, BARBARA Search Search CORNWELL, CHRISTOPHER Search HENDRICKS COUNTY BANK AND TRUST	Search Lot 13 REEDS SUBDIVISION Search Lot 14 REEDS SUBDIVISION Search 12-16N-1W NE
199620445	Hendricks	09/25/1996	EASEMENT : EASEMENT	CORNWELL, BARBARA Search Search ABBOTT, DEBRA J Search ADAMS, GARY LEE Search AGUIRRE, G E see details for more	
199624418	Hendricks	11/19/1996	EASEMENT : EASEMENT	CORNWELL, BARBARA Search Search ABBOTT, DEBRA J Search ADAMS, GARY LEE Search AGUIRRE, G E see details for more	Search 1-16N-1W Search 2-16N-1W Search 5-16N-1E Search 6-16N-1E see details for more

Document Details	County	Date	Type	Name	Legal
200116552	Hendricks	06/13/2001	EASEMENT : EASEMENT	CORNWELL, BARBARA Search Search ABBOTT, DAVID D Search ABBOTT, DEBRA J Search ABBOTT, LICHT see details for more	
200132305	Hendricks	10/29/2001	DEED : DEED	CORNWELL, BARBARA Search Search CORNWELL, CHRISTOPHER Search DERRICK, CATHERINE K	Search 12-16N-1W NE
200133015	Hendricks	11/05/2001	REL : MORTGAGE RELEASE	CORNWELL, BARBARA Search Search CORNWELL, CHRISTOPHER Search HENDRICKS COUNTY BANK TRUST	
200133016	Hendricks	11/05/2001	REL : MORTGAGE PARTIAL RELEASE	CORNWELL, BARBARA Search Search CORNWELL, CHRISTOPHER Search HENDRICKS COUNTY BANK TRUST	Search 12-16N-1W NE Search 22-16N-1W NE
200236667	Hendricks	10/29/2002	REL : MORTGAGE RELEASE	CORNWELL, BARBARA Search Search CORNWELL, CHRISTOPHER Search HENDRICKS COUNTY BANK AND TRUST	
200351969	Hendricks	12/02/2003	DEED : DEED	CORNWELL, BARBARA Search Search KIRBY, JESSICA J Search KIRBY, LLOYD E JR Search CORNWELL, CHRISTOPHER C	Search Lot 8 OSBORNES ADDITION (WILLIAM B)
200351970	Hendricks	12/02/2003	MORT : MORTGAGE	CORNWELL, BARBARA Search Search CORNWELL, CHRISTOPHER C Search FREEDOM MORTGAGE	Search Lot 8 OSBORNES ADDITION (WILLIAM B)
200351971	Hendricks	12/02/2003	ASGN : MORTGAGE ASSIGNMENT	CORNWELL, BARBARA Search Search CORNWELL, CHRISTOPHER C Search PRINCIPAL RESIDENTIAL MORTGAGE	

Document Details	County	Date	Type	Name	Legal
200605218	Hendricks	03/01/2006	DEED : DEED	CORNWELL, BARBARA Search Search CORNWELL, CHRISTOPHER C Search CORNWELL, ANDREW M	Search Lot 8 OSBORNES ADDITION (WILLIAM B)
200606418	Hendricks	03/14/2006	REL : MORTGAGE RELEASE	CORNWELL, BARBARA Search Search CORNWELL, CHRISTOPHER C Search FREEDOM MORTGAGE	
201827559	Hendricks	12/07/2018	DEED : DEED	CORNWELL, BARBARA Search Search CORNWELL, CHRISTOPHER Search COBRA MANAGEMENT LLC	Search Lot 13 REEDS SUBDIVISION Search Lot 14 REEDS SUBDIVISION
198618329	Hendricks	04/04/1986	MORT : MORTGAGE	CORNWELL, BARBARA S Search Search CORNWELL, CHRISTOPHER C Search INDIANA MORTGAGE	Search 12-16N-1W NE
198619988	Hendricks	05/20/1986	ASGN : MORTGAGE ASSIGNMENT	CORNWELL, BARBARA S Search Search CORNWELL, CHRISTOPHER C Search INDIANA NATIONAL BANK	
198619989	Hendricks	05/20/1986	ASGN : MORTGAGE ASSIGNMENT	CORNWELL, BARBARA S Search Search CORNWELL, CHRISTOPHER C Search FEDERAL HOME LOAN MORTGAGE CORPORATION	
199204478	Hendricks	03/16/1992	REL : MORTGAGE RELEASE	CORNWELL, BARBARA S Search Search CORNWELL, CHRISTOPHER C Search FEDERAL HOME LOAN MORTGA	
199618698	Hendricks	09/03/1996	DEED : DEED	CORNWELL, BARBARA S Search Search LINN, WANETA I Search CORNWELL, CHRISTOPHER C	Search 11-16N-1E SW SW

Document Details	County	Date	Type	Name	Legal
199618699	Hendricks	09/03/1996	MORT : MORTGAGE	CORNWELL, BARBARA S Search Search CORNWELL, CHRISTOPHER C Search HENDRICKS COUNTY BANK AND TRUST	Search 11-16N-1E SW SW
199619927	Hendricks	09/18/1996	DEED : DEED	CORNWELL, BARBARA S Search Search YANT, CORA MILLIE Search YANT, KENNETH L Search CORNWELL, CHRISTOPHER C	Search 6-16N-1E NW NE
199619930	Hendricks	09/18/1996	DEED : DEED	CORNWELL, BARBARA S Search Search FIELDS, EDNA D Search CORNWELL, CHRISTOPHER C	Search 1-16N-1W NE NE Search 6-16N-1E NW Search 6-16N-1E NW NE
199619931	Hendricks	09/18/1996	MORT : MORTGAGE	CORNWELL, BARBARA S Search Search CORNWELL, CHRISTOPHER C Search HENDRICKS COUNTY BANK AND TRUST	Search Lot 13 REEDS SUBDIVISION Search Lot 14 REEDS SUBDIVISION Search 1-16N-1W NE NE Search 6-16N-1E NW see details for more
199711437	Hendricks	06/11/1997	MORT : MORTGAGE	CORNWELL, BARBARA S Search Search CORNWELL, CHRISTOPHER C Search FREEDOM MORTGAGE	Search 6-16N-1E NW NE
199721823	Hendricks	10/15/1997	MORT : MORTGAGE AMENDMENT	CORNWELL, BARBARA S Search Search CORNWELL, CHRISTOPHER C Search FREEDOM MORTGAGE	Search 6-16N-1E NW NE
199721824	Hendricks	10/15/1997	ASGN : MORTGAGE ASSIGNMENT	CORNWELL, BARBARA S Search Search CORNWELL, CHRISTOPHER C Search HENDRICKS COUNTY BANK AND TRUST	

Document Details	County	Date	Type	Name	Legal
199928053	Hendricks	09/24/1999	DEED : DEED	CORNWELL, BARBARA S Search Search ANDRE, DANIEL B Search ANDRE, ROBYN M Search CORNWELL, CHRISTOPHER C	Search Lot 2 ASPEN WAY
199928054	Hendricks	09/24/1999	MORT : MORTGAGE	CORNWELL, BARBARA S Search Search CORNWELL, CHRISTOPHER C Search HENDRICKS COUNTY BANK TR	Search Lot 2 ASPEN WAY
199928055	Hendricks	09/24/1999	MORT : MORTGAGE	CORNWELL, BARBARA S Search Search CORNWELL, CHRISTOPHER C Search HENDRICKS COUNTY BANK TR	Search 12-16N-1W NE
199933242	Hendricks	11/19/1999	REL : MORTGAGE RELEASE	CORNWELL, BARBARA S Search Search CORNWELL, CHRISTOPHER C Search HENDRICKS COUNTY BANK AND TRUST	
199933243	Hendricks	11/19/1999	MORT : MORTGAGE	CORNWELL, BARBARA S Search Search CORNWELL, CHRISTOPHER C Search HENDRICKS COUNTY BANK TR	Search Lot 2 ASPEN WAY
200006356	Hendricks	03/27/2000	MORT : MORTGAGE	CORNWELL, BARBARA S Search Search CORNWELL, CHRISTOPHER C Search HENDRICKS COUNTY BANK TR	Search Lot 2 ASPEN WAY
200009010	Hendricks	04/26/2000	MORT : MORTGAGE	CORNWELL, BARBARA S Search Search CORNWELL, CHRISTOPHER C Search FREEDOM MORTGAGE	Search Lot 2 ASPEN WAY
200009011	Hendricks	04/26/2000	ASGN : MORTGAGE ASSIGNMENT	CORNWELL, BARBARA S Search Search CORNWELL, CHRISTOPHER C Search HENDRICKS COUNTY BANK TRUST	

Document Details	County	Date	Type	Name	Legal
200009116	Hendricks	04/27/2000	REL : MORTGAGE RELEASE	CORNWELL, BARBARA S Search Search CORNWELL, CHRISTOPHER C Search HENDRICKS COUNTY BANK AND TRUST	
200009119	Hendricks	04/27/2000	REL : MORTGAGE RELEASE	CORNWELL, BARBARA S Search Search CORNWELL, CHRISTOPHER C Search HENDRICKS COUNTY BANK AND TRUST	
200009121	Hendricks	04/27/2000	REL : MORTGAGE RELEASE	CORNWELL, BARBARA S Search Search CORNWELL, CHRISTOPHER C Search HENDRICKS COUNTY BANK AND TRUST	
200107539	Hendricks	03/23/2001	DEED : DEED	CORNWELL, BARBARA S Search Search CORNWELL, CHRISTOPHER C Search TAYLOR INC	Search 6-16N-1E NE NW Search 6-16N-1E NW NW Search 1-16N-1W NE NE Search 6-16N-1E NW NE
200108017	Hendricks	03/29/2001	REL : MORTGAGE RELEASE	CORNWELL, BARBARA S Search Search CORNWELL, CHRISTOPHER C Search HENDRICKS COUNTY BANK TRUST	
200108220	Hendricks	03/30/2001	DEED : DEED	CORNWELL, BARBARA S Search Search CORNWELL, CHRISTOPHER C Search TALYN INC	Search 6-16N-1E NE NW Search 6-16N-1E NW NW Search 1-16N-1W NE NE Search 6-16N-1E NW NE
200201362	Hendricks	01/10/2002	REL : MORTGAGE RELEASE	CORNWELL, BARBARA S Search Search CORNWELL, CHRISTOPHER C Search HENDRICKS COUNTY BANK AND TRUST	
200230229	Hendricks	09/11/2002	REL : MORTGAGE RELEASE	CORNWELL, BARBARA S Search Search CORNWELL, CHRISTOPHER C Search HENDRICKS COUNTY BANK TRUST	

Document Details	County	Date	Type	Name	Legal
200231747	Hendricks	09/24/2002	MORT : MORTGAGE	CORNWELL, BARBARA S Search Search CORNWELL, CHRISTOPHER C Search FREEDOM MORTGAGE	Search Lot 2 ASPEN WAY
200231748	Hendricks	09/24/2002	ASGN : MORTGAGE ASSIGNMENT	CORNWELL, BARBARA S Search Search CORNWELL, CHRISTOPHER C Search WASHINGTON MUTUAL	
200234108	Hendricks	10/09/2002	MORT : MORTGAGE	CORNWELL, BARBARA S Search Search CORNWELL, CHRISTOPHER C Search FREEDOM MORTGAGE	Search 6-16N-1E NW NE
200234109	Hendricks	10/09/2002	ASGN : MORTGAGE ASSIGNMENT	CORNWELL, BARBARA S Search Search CORNWELL, CHRISTOPHER C Search WASHINGTON MUTUAL BANK	
200234110	Hendricks	10/09/2002	MORT : MORTGAGE	CORNWELL, BARBARA S Search Search CORNWELL, CHRISTOPHER C Search FREEDOM MORTGAGE	Search Lot 13 REEDS SUBDIVISION Search Lot 14 REEDS SUBDIVISION
200234111	Hendricks	10/09/2002	ASGN : MORTGAGE ASSIGNMENT	CORNWELL, BARBARA S Search Search CORNWELL, CHRISTOPHER C Search WASHINGTON MUTUAL BANK	
200236669	Hendricks	10/29/2002	REL : MORTGAGE RELEASE	CORNWELL, BARBARA S Search Search CORNWELL, CHRISTOPHER C Search HENDRICKS COUNTY BANK AND TRUST	
200240477	Hendricks	11/22/2002	MORT : MORTGAGE	CORNWELL, BARBARA S Search Search CORNWELL, CHRISTOPHER C Search HENDRICKS COUNTY BANK TR	Search 11-16N-1E SW SW

Document Details	County	Date	Type	Name	Legal
200302950	Hendricks	01/21/2003	MORT : MORTGAGE	CORNWELL, BARBARA S Search Search CORNWELL, CHRISTOPHER C Search FREEDOM MORTGAGE	Search 11-16N-1E SW SW
200302951	Hendricks	01/21/2003	ASGN : MORTGAGE ASSIGNMENT	CORNWELL, BARBARA S Search Search CORNWELL, CHRISTOPHER C Search WASHINGTON MUTUAL BANK	Search 11-16N-1E SW SW
200305814	Hendricks	02/07/2003	REL : MORTGAGE RELEASE	CORNWELL, BARBARA S Search Search CORNWELL, CHRISTOPHER C Search HENDRICKS COUNTY BANK TR	
200351707	Hendricks	12/01/2003	DEED : DEED	CORNWELL, BARBARA S Search Search HENDRICKS COUNTY BANK & TRUST Search CORNWELL, CHRISTOPHER C	Search Lot 26 VONDERSAARS SECTION 3
200351708	Hendricks	12/01/2003	MORT : MORTGAGE	CORNWELL, BARBARA S Search Search CORNWELL, CHRISTOPHER C Search HENDRICKS COUNTY BANK TR	Search Lot 26 VONDERSAARS SECTION 3
200351920	Hendricks	12/02/2003	MORT : MORTGAGE	CORNWELL, BARBARA S Search Search CORNWELL, CHRISTOPHER C Search HENDRICKS COUNTY BANK TR	Search Lot 2 ASPEN WAY
200354814	Hendricks	12/29/2003	MORT : MORTGAGE	CORNWELL, BARBARA S Search Search CORNWELL, CHRISTOPHER C Search FREEDOM MORTGAGE	Search Lot 26 VONDERSAARS SECTION 3
200354815	Hendricks	12/29/2003	ASGN : MORTGAGE ASSIGNMENT	CORNWELL, BARBARA S Search Search CORNWELL, CHRISTOPHER C Search GMAC BANK MORTGAGE ELECTRONIC REGISTRATION SYSTEMS	

Document Details	County	Date	Type	Name	Legal
200401210	Hendricks	01/14/2004	REL : MORTGAGE RELEASE	CORNWELL, BARBARA S Search Search CORNWELL, CHRISTOPHER C Search HENDRICKS COUNTY BANK AND TRUST	
200628326	Hendricks	10/03/2006	REL : MORTGAGE RELEASE	CORNWELL, BARBARA S Search Search CORNWELL, CHRISTOPHER C Search HENDRICKS COUNTY BANK TR	
200632348	Hendricks	11/14/2006	MORT : MORTGAGE	CORNWELL, BARBARA S Search Search CORNWELL, CHRISTOPHER C Search HENDRICKS COUNTY BANK TR	Search Lot 2 ASPEN WAY
200808870	Hendricks	04/11/2008	MORT : MORTGAGE	CORNWELL, BARBARA S Search Search CORNWELL, CHRISTOPHER C Search LINCOLN BANK	Search Lot 2 ASPEN WAY
200809281	Hendricks	04/16/2008	REL : MORTGAGE RELEASE	CORNWELL, BARBARA S Search Search CORNWELL, CHRISTOPHER C Search HENDRICKS COUNTY BANK AND TRUST	
201001877	Hendricks	01/29/2010	MORT : MORTGAGE	CORNWELL, BARBARA S Search Search CORNWELL, CHRISTOPHER C Search UNION SAVINGS BANK	Search Lot 2 ASPEN WAY
201002603	Hendricks	02/08/2010	REL : MORTGAGE RELEASE	CORNWELL, BARBARA S Search Search CORNWELL, CHRISTOPHER C Search FREEDOM MORTGAGE Search JPMORGAN CHASE BANK see details for more	
201004696	Hendricks	03/11/2010	REL : MORTGAGE RELEASE	CORNWELL, BARBARA S Search Search CORNWELL, CHRISTOPHER C Search FIRST MERCHANTS BANK OF CENTRAL INDIANA Search LINCOLN BANK	

Document Details	County	Date	Type	Name	Legal
201105859	Hendricks	03/09/2011	DEED : DEED	CORNWELL, BARBARA S Search Search SHRYOCK, BECKEY J Search CORNWELL, CHRISTOPHER C	Search 1-16N-1W NE
201127300	Hendricks	12/07/2011	MORT : MORTGAGE	CORNWELL, BARBARA S Search Search CORNWELL, CHRISTOPHER C Search UNION SAVINGS BANK	Search Lot 2 ASPEN WAY
201200843	Hendricks	01/12/2012	REL : MORTGAGE RELEASE	CORNWELL, BARBARA S Search Search CORNWELL, CHRISTOPHER C Search UNION SAVINGS BANK	
201203505	Hendricks	02/09/2012	DEED : DEED	CORNWELL, BARBARA S Search Search CORNWELL, CHRISTOPHER C Search SCOTT, ANN E Search SCOTT, MATTHEW B	Search Lot 2 ASPEN WAY
201204883	Hendricks	02/28/2012	DEED : DEED	CORNWELL, BARBARA S Search Search ZWERN, ANITA Search CORNWELL, CHRISTOPHER C	Search Lot 9 WOODRIDGE COMMONS
201204884	Hendricks	02/28/2012	MORT : MORTGAGE	CORNWELL, BARBARA S Search Search CORNWELL, CHRISTOPHER C Search MERS Search PRIMELENDING	Search Lot 9 WOODRIDGE COMMONS
201207968	Hendricks	04/04/2012	REL : MORTGAGE RELEASE	CORNWELL, BARBARA S Search Search CORNWELL, CHRISTOPHER C Search UNION SAVINGS BANK	
201208887	Hendricks	04/13/2012	REL : MORTGAGE RELEASE	CORNWELL, BARBARA S Search Search CORNWELL, CHRISTOPHER C Search FREEDOM MORTGAGE Search JPMORGAN CHASE BANK see details for more	

Document Details	County	Date	Type	Name	Legal
201208888	Hendricks	04/13/2012	REL : MORTGAGE RELEASE	CORNWELL, BARBARA S Search Search CORNWELL, CHRISTOPHER C Search FREEDOM MORTGAGE Search JPMORGAN CHASE BANK see details for more	
201225178	Hendricks	09/28/2012	DEED : DEED	CORNWELL, BARBARA S Search Search SNYDER, SHARI L Search CORNWELL, CHRISTOPHER C	Search Lot 9 NORTHWOOD DEVELOPMENT
201225179	Hendricks	09/28/2012	MORT : MORTGAGE	CORNWELL, BARBARA S Search Search CORNWELL, CHRISTOPHER C Search MERS Search PRIMELENDING	Search Lot 9 NORTHWOOD DEVELOPMENT
201409635	Hendricks	05/16/2014	DEED : DEED	CORNWELL, BARBARA S Search Search MEEBOER TRUST, DONNA R Search CORNWELL, CHRISTOPHER C	Search Lot 8 WOODRIDGE COMMONS
201415534	Hendricks	07/30/2014	DEED : DEED	CORNWELL, BARBARA S Search Search WOODRIDGE DEVELOPMENT GROUP INC Search CORNWELL, CHRISTOPHER C	Search Lot 7 WOODRIDGE COMMONS
201417593	Hendricks	08/25/2014	REL : MORTGAGE RELEASE	CORNWELL, BARBARA S Search Search CORNWELL, CHRISTOPHER C Search FREEDOM MORTGAGE COMPANY Search JPMORGAN CHASE BANK see details for more	
201423674	Hendricks	11/07/2014	MORT : MORTGAGE	CORNWELL, BARBARA S Search Search CORNWELL, CHRISTOPHER C Search MERS Search PRIMELENDING	Search 11-16N-1E SW SW

Document Details	County	Date	Type	Name	Legal
201423675	Hendricks	11/07/2014	MORT : MORTGAGE	CORNWELL, BARBARA S Search Search CORNWELL, CHRISTOPHER C Search MORTGAGE ELECTRONIC REGISTRATION SYSTEMS INC Search PRIMELENDING,	Search 6-16N-1E NW NE
201423967	Hendricks	11/12/2014	REL : MORTGAGE RELEASE	CORNWELL, BARBARA S Search Search CORNWELL, CHRISTOPHER C Search FREEDOM MORTGAGE COMPANY Search GMAC BANK see details for more	
201425014	Hendricks	11/26/2014	MORT : MORTGAGE	CORNWELL, BARBARA S Search Search CORNWELL, CHRISTOPHER Search FINANCIAL CENTER FEDERAL CREDIT UNION	Search Lot 9 WOODRIDGE COMMONS
201425840	Hendricks	12/09/2014	REL : MORTGAGE RELEASE	CORNWELL, BARBARA S Search Search CORNWELL, CHRISTOPHER C Search MERS Search PRIMELENDING	Search Lot 9 NORTHWOOD DEVELOPMENT
201710986	Hendricks	05/15/2017	MORT : MORTGAGE	CORNWELL, BARBARA S Search Search CORNWELL, CHRISTOPHER C Search MERS Search PRIMELENDING	Search Lot 26 VONDERSAARS SECTION 3
201710987	Hendricks	05/15/2017	MORT : MORTGAGE	CORNWELL, BARBARA S Search Search CORNWELL, CHRISTOPHER C Search MERS Search PRIMELENDING	Search 1-16N-1W NE
201724346	Hendricks	10/10/2017	REL : MORTGAGE RELEASE	CORNWELL, BARBARA S Search Search CORNWELL, CHRISTOPHER C Search MERS Search PRIMELENDING	
201724659	Hendricks	10/13/2017	DEED : DEED	CORNWELL, BARBARA S Search Search CORNWELL, CHRISTOPHER C Search HUNT, LESLIE Search HUNT, MARTIN D	Search Lot 9 WOODRIDGE COMMONS

Document Details	County	Date	Type	Name	Legal
201724687	Hendricks	10/13/2017	REL : MORTGAGE RELEASE	CORNWELL, BARBARA S Search Search CORNWELL, CHRISTOPHER C Search MERS Search PRIMELENDING	
201724699	Hendricks	10/16/2017	MORT : MORTGAGE	CORNWELL, BARBARA S Search Search CORNWELL, CHRISTOPHER C Search MERS Search PRIMELENDING	Search Lot 8 WOODRIDGE COMMONS
201726027	Hendricks	10/30/2017	REL : MORTGAGE RELEASE	CORNWELL, BARBARA S Search Search CORNWELL, CHRISTOPHER C Search MERS Search PRIMELENDING	
201728721	Hendricks	11/30/2017	DEED : DEED	CORNWELL, BARBARA S Search Search ROSS, MILDRED P Search CORNWELL, CHRISTOPHER C	Search Lot 14 FAIRFIELD HEIGHTS SECTION 1
201730128	Hendricks	12/18/2017	MORT : MORTGAGE	CORNWELL, BARBARA S Search Search CORNWELL, CHRISTOPHER C Search FIRST FINANCIAL BANK	Search Lot 8 WOODRIDGE COMMONS
201816257	Hendricks	07/24/2018	REL : MORTGAGE RELEASE	CORNWELL, BARBARA S Search Search CORNWELL, CHRISTOPHER C Search MERS Search PRIMELENDING	
201825476	Hendricks	11/09/2018	REL : MORTGAGE RELEASE	CORNWELL, BARBARA S Search Search CORNWELL, CHRISTOPHER C Search FINANCIAL CENTER FEDERAL CREDIT UNION Search FINANCIAL CENTER FIRST CREDIT UNION	
201900343	Hendricks	01/07/2019	DEED : DEED	CORNWELL, BARBARA S Search Search CORNWELL, JANICE E Search CORNWELL, CHRISTOPHER C	Search Lot 14 AGANS ADDITION

Document Details	County	Date	Type	Name	Legal
201930121	Hendricks	12/27/2019	DEED : DEED	CORNWELL, BARBARA S Search Search ADAMSON, GREGORY S Search ADAMSON, SABRINA A Search CORNWELL, CHRISTOPHER C	Search Lot 15 AGANS ADDITION
201930122	Hendricks	12/27/2019	MORT : MORTGAGE	CORNWELL, BARBARA S Search Search CORNWELL, CHRISTOPHER C Search MERS Search PRIMELENDING	Search Lot 15 AGANS ADDITION
201930124	Hendricks	12/27/2019	DEED : DEED	CORNWELL, BARBARA S Search Search ADAMSON, GREGORY S Search ADAMSON, SABRINA A Search CORNWELL, CHRISTOPHER C	Search Lot 15 AGANS ADDITION
201930125	Hendricks	12/27/2019	MORT : MORTGAGE	CORNWELL, BARBARA S Search Search CORNWELL, CHRISTOPHER C Search MERS Search PRIMELENDING	Search Lot 15 AGANS ADDITION
202114027	Hendricks	04/27/2021	DEED : DEED	CORNWELL, BARBARA S Search Search BROYLES TRUST, ALBERTA Search CORNWELL, CHRISTOPHER C	Search Lot 19 NORTHWOOD DEVELOPMENT (REVISED)
202114028	Hendricks	04/27/2021	MORT : MORTGAGE	CORNWELL, BARBARA S Search Search CORNWELL, CHRISTOPHER C Search MERS Search PRIMELENDING	Search Lot 19 NORTHWOOD DEVELOPMENT (REVISED)
202129941	Hendricks	09/10/2021	DEED : DEED	CORNWELL, BARBARA S Search Search CORNWELL, CHRISTOPHER C Search MITCHELL, LANCE L	Search Lot 26 VONDERSAARS SECTION 3
202130582	Hendricks	09/15/2021	REL : MORTGAGE RELEASE	CORNWELL, BARBARA S Search Search CORNWELL, CHRISTOPHER C Search MERS Search PRIMELENDING	Search Lot 15 AGANS ADDITION

Document Details	County	Date	Type	Name	Legal
202130660	Hendricks	09/16/2021	REL : MORTGAGE RELEASE	CORNWELL, BARBARA S Search Search CRONWELL, CHRISTOPHER V Search FIRST FINANCIAL BANK	
202131278	Hendricks	09/22/2021	REL : MORTGAGE RELEASE	CORNWELL, BARBARA S Search Search CORNWELL, CHRISTOPHER C Search MERS Search PRIMELENDING	
202141646	Hendricks	12/21/2021	REL : MORTGAGE RELEASE	CORNWELL, BARBARA S Search Search CORNWELL, CHRISTOPHER C Search MERS Search PRIMELENDING	
202314183	Hendricks	08/14/2023	REL : MORTGAGE RELEASE	CORNWELL, BARBARA S Search Search CORNWELL, CHRISTOPHER C Search MERS Search PRIMELENDING	

The data or information provided is based on information obtained from Indiana Courts, Clerks, Recorders, and Department of Revenue, and is not to be considered or used as an official record. Doxpop, LLC, the Division of State Court Administration, the Indiana Courts and Clerks of Court, the Indiana Recorders, and the Indiana Department of Revenue: 1) Do not warrant that the information is accurate or complete; 2) Make no representations regarding the identity of any persons whose names appear in the information; and 3) Disclaim any liability for any damages resulting from the release or use of the information. The user should verify the information by personally consulting the official record maintained by the court, clerk, recorder or Department of Revenue.

Copyright © 2002-2024 Doxpop, llc. All Rights Reserved

Search Results for:

NAME: Cornwell, Christopher (Super Search)



REGION: Hendricks County, IN

DOCUMENTS VALIDATED THROUGH: 01/17/2024 3:14 PM

Showing 120 results

Filter:

Document Details	County	Date	Type	Name	Legal
198618328	Hendricks	04/04/1986	DEED : DEED	CORNWELL, CHRISTOPHER Search Search HENRY, ETHEL Search HENRY, IVAN Search CORNWELL, BARBARA	Search 12-16N-1W NE
198618330	Hendricks	04/04/1986	EASEMENT : EASEMENT	CORNWELL, CHRISTOPHER Search Search CORNWELL, BARBARA Search HENDRICKS COUNTY REMC	Search 12-16N-1W NE
198618331	Hendricks	04/04/1986	EASEMENT : EASEMENT	CORNWELL, CHRISTOPHER Search Search CORNWELL, BARBARA Search HENDRICKS COUNTY RURAL ELECTRIC MEMBERSHIP CORPORATION	Search 12-16N-1W NE
198618332	Hendricks	04/04/1986	EASEMENT : EASEMENT	CORNWELL, CHRISTOPHER Search Search CORNWELL, BARBARA Search HENDRICKS COUNTY RURAL ELECTRIC MEMBERSHIP CORPORATION	Search 12-16N-1W NE NE Search 12-16N-1W NW NE Search 1-16N-1W SE SE
198706000	Hendricks	04/20/1987	MORT : MORTGAGE	CORNWELL, CHRISTOPHER Search Search CORNWELL, BARBARA Search HENDRICKS COUNTY BANK AND TRUST	Search 12-16N-1W NE
199203208	Hendricks	02/27/1992	MORT : MORTGAGE	CORNWELL, CHRISTOPHER Search Search CORNWELL, BARBARA Search HENDRICKS COUNTY BANK TR	Search 12-16N-1W NE

Document Details	County	Date	Type	Name	Legal
199203209	Hendricks	02/27/1992	MORT : MORTGAGE SUBORDINATION	CORNWELL, CHRISTOPHER Search Search CORNWELL, BARBARA Search HENDRICKS COUNTY BANK TR	Search 12-16N-1W NE
199307827	Hendricks	04/30/1993	REL : MORTGAGE RELEASE	CORNWELL, CHRISTOPHER Search Search CORNWELL, BARBARA Search HENDRICKS COUNTY BANK TR	
199307828	Hendricks	04/30/1993	MORT : MORTGAGE	CORNWELL, CHRISTOPHER Search Search CORNWELL, BARBARA Search HENDRICKS COUNTY BANK AND TRUST	Search 12-16N-1W NE
199506604	Hendricks	04/28/1995	REL : MORTGAGE RELEASE	CORNWELL, CHRISTOPHER Search Search CORNWELL, BARBARA Search HENDRICKS COUNTY BANK AND TRUST	
199511986	Hendricks	07/25/1995	DEED : DEED	CORNWELL, CHRISTOPHER Search Search GOWAN, DANIEL L Search CORNWELL, BARBARA	Search Lot 13 REEDS SUBDIVISION Search Lot 14 REEDS SUBDIVISION
199511987	Hendricks	07/25/1995	MORT : MORTGAGE	CORNWELL, CHRISTOPHER Search Search CORNWELL, BARBARA Search HENDRICKS COUNTY BANK AND TRUST	Search Lot 13 REEDS SUBDIVISION Search Lot 14 REEDS SUBDIVISION Search 12-16N-1W NE
199620445	Hendricks	09/25/1996	EASEMENT : EASEMENT	CORNWELL, CHRISTOPHER Search Search ABBOTT, DEBRA J Search ADAMS, GARY LEE Search AGUIRRE, G E see details for more	
199624418	Hendricks	11/19/1996	EASEMENT : EASEMENT	CORNWELL, CHRISTOPHER Search Search ABBOTT, DEBRA J Search ADAMS, GARY LEE Search AGUIRRE, G E see details for more	Search 1-16N-1W Search 2-16N-1W Search 5-16N-1E Search 6-16N-1E see details for more

Document Details	County	Date	Type	Name	Legal
200116552	Hendricks	06/13/2001	EASEMENT : EASEMENT	CORNWELL, CHRISTOPHER Search Search ABBOTT, DAVID D Search ABBOTT, DEBRA J Search ABBOTT, LICHT see details for more	
200132305	Hendricks	10/29/2001	DEED : DEED	CORNWELL, CHRISTOPHER Search Search CORNWELL, BARBARA Search DERRICK, CATHERINE K	Search 12-16N-1W NE
200133015	Hendricks	11/05/2001	REL : MORTGAGE RELEASE	CORNWELL, CHRISTOPHER Search Search CORNWELL, BARBARA Search HENDRICKS COUNTY BANK TRUST	
200133016	Hendricks	11/05/2001	REL : MORTGAGE PARTIAL RELEASE	CORNWELL, CHRISTOPHER Search Search CORNWELL, BARBARA Search HENDRICKS COUNTY BANK TRUST	Search 12-16N-1W NE Search 22-16N-1W NE
200236667	Hendricks	10/29/2002	REL : MORTGAGE RELEASE	CORNWELL, CHRISTOPHER Search Search CORNWELL, BARBARA Search HENDRICKS COUNTY BANK AND TRUST	
201425014	Hendricks	11/26/2014	MORT : MORTGAGE	CORNWELL, CHRISTOPHER Search Search CORNWELL, BARBARA S Search FINANCIAL CENTER FEDERAL CREDIT UNION	Search Lot 9 WOODRIDGE COMMONS
201827559	Hendricks	12/07/2018	DEED : DEED	CORNWELL, CHRISTOPHER Search Search CORNWELL, BARBARA Search COBRA MANAGEMENT LLC	Search Lot 13 REEDS SUBDIVISION Search Lot 14 REEDS SUBDIVISION
198618329	Hendricks	04/04/1986	MORT : MORTGAGE	CORNWELL, CHRISTOPHER C Search Search CORNWELL, BARBARA S Search INDIANA MORTGAGE	Search 12-16N-1W NE

Document Details	County	Date	Type	Name	Legal
198619988	Hendricks	05/20/1986	ASGN : MORTGAGE ASSIGNMENT	CORNWELL, CHRISTOPHER C Search Search CORNWELL, BARBARA S Search INDIANA NATIONAL BANK	
198619989	Hendricks	05/20/1986	ASGN : MORTGAGE ASSIGNMENT	CORNWELL, CHRISTOPHER C Search Search CORNWELL, BARBARA S Search FEDERAL HOME LOAN MORTGAGE CORPORATION	
199204478	Hendricks	03/16/1992	REL : MORTGAGE RELEASE	CORNWELL, CHRISTOPHER C Search Search CORNWELL, BARBARA S Search FEDERAL HOME LOAN MORTGA	
199618698	Hendricks	09/03/1996	DEED : DEED	CORNWELL, CHRISTOPHER C Search Search LINN, WANETA I Search CORNWELL, BARBARA S	Search 11-16N-1E SW SW
199618699	Hendricks	09/03/1996	MORT : MORTGAGE	CORNWELL, CHRISTOPHER C Search Search CORNWELL, BARBARA S Search HENDRICKS COUNTY BANK AND TRUST	Search 11-16N-1E SW SW
199619927	Hendricks	09/18/1996	DEED : DEED	CORNWELL, CHRISTOPHER C Search Search YANT, CORA MILLIE Search YANT, KENNETH L Search CORNWELL, BARBARA S	Search 6-16N-1E NW NE
199619930	Hendricks	09/18/1996	DEED : DEED	CORNWELL, CHRISTOPHER C Search Search FIELDS, EDNA D Search CORNWELL, BARBARA S	Search 1-16N-1W NE NE Search 6-16N-1E N NW Search 6-16N-1E NW NE

Document Details	County	Date	Type	Name	Legal
199619931	Hendricks	09/18/1996	MORT : MORTGAGE	CORNWELL, CHRISTOPHER C Search Search CORNWELL, BARBARA S Search HENDRICKS COUNTY BANK AND TRUST	Search Lot 13 REEDS SUBDIVISION Search Lot 14 REEDS SUBDIVISION Search 1-16N-1W NE NE Search 6-16N-1E N NW see details for more
199711437	Hendricks	06/11/1997	MORT : MORTGAGE	CORNWELL, CHRISTOPHER C Search Search CORNWELL, BARBARA S Search FREEDOM MORTGAGE	Search 6-16N-1E NW NE
199721823	Hendricks	10/15/1997	MORT : MORTGAGE AMENDMENT	CORNWELL, CHRISTOPHER C Search Search CORNWELL, BARBARA S Search FREEDOM MORTGAGE	Search 6-16N-1E NW NE
199721824	Hendricks	10/15/1997	ASGN : MORTGAGE ASSIGNMENT	CORNWELL, CHRISTOPHER C Search Search CORNWELL, BARBARA S Search HENDRICKS COUNTY BANK AND TRUST	
199928053	Hendricks	09/24/1999	DEED : DEED	CORNWELL, CHRISTOPHER C Search Search ANDRE, DANIEL B Search ANDRE, ROBYN M Search CORNWELL, BARBARA S	Search Lot 2 ASPEN WAY
199928054	Hendricks	09/24/1999	MORT : MORTGAGE	CORNWELL, CHRISTOPHER C Search Search CORNWELL, BARBARA S Search HENDRICKS COUNTY BANK TR	Search Lot 2 ASPEN WAY
199928055	Hendricks	09/24/1999	MORT : MORTGAGE	CORNWELL, CHRISTOPHER C Search Search CORNWELL, BARBARA S Search HENDRICKS COUNTY BANK TR	Search 12-16N-1W NE

Document Details	County	Date	Type	Name	Legal
199933242	Hendricks	11/19/1999	REL : MORTGAGE RELEASE	CORNWELL, CHRISTOPHER C Search Search CORNWELL, BARBARA S Search HENDRICKS COUNTY BANK AND TRUST	
199933243	Hendricks	11/19/1999	MORT : MORTGAGE	CORNWELL, CHRISTOPHER C Search Search CORNWELL, BARBARA S Search HENDRICKS COUNTY BANK TR	Search Lot 2 ASPEN WAY
200006356	Hendricks	03/27/2000	MORT : MORTGAGE	CORNWELL, CHRISTOPHER C Search Search CORNWELL, BARBARA S Search HENDRICKS COUNTY BANK TR	Search Lot 2 ASPEN WAY
200009010	Hendricks	04/26/2000	MORT : MORTGAGE	CORNWELL, CHRISTOPHER C Search Search CORNWELL, BARBARA S Search FREEDOM MORTGAGE	Search Lot 2 ASPEN WAY
200009011	Hendricks	04/26/2000	ASGN : MORTGAGE ASSIGNMENT	CORNWELL, CHRISTOPHER C Search Search CORNWELL, BARBARA S Search HENDRICKS COUNTY BANK TRUST	
200009116	Hendricks	04/27/2000	REL : MORTGAGE RELEASE	CORNWELL, CHRISTOPHER C Search Search CORNWELL, BARBARA S Search HENDRICKS COUNTY BANK AND TRUST	
200009119	Hendricks	04/27/2000	REL : MORTGAGE RELEASE	CORNWELL, CHRISTOPHER C Search Search CORNWELL, BARBARA S Search HENDRICKS COUNTY BANK AND TRUST	

Document Details	County	Date	Type	Name	Legal
200009121	Hendricks	04/27/2000	REL : MORTGAGE RELEASE	CORNWELL, CHRISTOPHER C Search Search CORNWELL, BARBARA S Search HENDRICKS COUNTY BANK AND TRUST	
200107539	Hendricks	03/23/2001	DEED : DEED	CORNWELL, CHRISTOPHER C Search Search CORNWELL, BARBARA S Search TAYLOR INC	Search 6-16N-1E NE NW Search 6-16N-1E NW NW Search 1-16N-1W NE NE Search 6-16N-1E NW NE
200108017	Hendricks	03/29/2001	REL : MORTGAGE RELEASE	CORNWELL, CHRISTOPHER C Search Search CORNWELL, BARBARA S Search HENDRICKS COUNTY BANK TRUST	
200108220	Hendricks	03/30/2001	DEED : DEED	CORNWELL, CHRISTOPHER C Search Search CORNWELL, BARBARA S Search TALYN INC	Search 6-16N-1E NE NW Search 6-16N-1E NW NW Search 1-16N-1W NE NE Search 6-16N-1E NW NE
200201362	Hendricks	01/10/2002	REL : MORTGAGE RELEASE	CORNWELL, CHRISTOPHER C Search Search CORNWELL, BARBARA S Search HENDRICKS COUNTY BANK AND TRUST	
200230229	Hendricks	09/11/2002	REL : MORTGAGE RELEASE	CORNWELL, CHRISTOPHER C Search Search CORNWELL, BARBARA S Search HENDRICKS COUNTY BANK TRUST	
200231747	Hendricks	09/24/2002	MORT : MORTGAGE	CORNWELL, CHRISTOPHER C Search Search CORNWELL, BARBARA S Search FREEDOM MORTGAGE	Search Lot 2 ASPEN WAY

Document Details	County	Date	Type	Name	Legal
200231748	Hendricks	09/24/2002	ASGN : MORTGAGE ASSIGNMENT	CORNWELL, CHRISTOPHER C Search Search CORNWELL, BARBARA S Search WASHINGTON MUTUAL	
200234108	Hendricks	10/09/2002	MORT : MORTGAGE	CORNWELL, CHRISTOPHER C Search Search CORNWELL, BARBARA S Search FREEDOM MORTGAGE	Search 6-16N-1E NW NE
200234109	Hendricks	10/09/2002	ASGN : MORTGAGE ASSIGNMENT	CORNWELL, CHRISTOPHER C Search Search CORNWELL, BARBARA S Search WASHINGTON MUTUAL BANK	
200234110	Hendricks	10/09/2002	MORT : MORTGAGE	CORNWELL, CHRISTOPHER C Search Search CORNWELL, BARBARA S Search FREEDOM MORTGAGE	Search Lot 13 REEDS SUBDIVISION Search Lot 14 REEDS SUBDIVISION
200234111	Hendricks	10/09/2002	ASGN : MORTGAGE ASSIGNMENT	CORNWELL, CHRISTOPHER C Search Search CORNWELL, BARBARA S Search WASHINGTON MUTUAL BANK	
200236669	Hendricks	10/29/2002	REL : MORTGAGE RELEASE	CORNWELL, CHRISTOPHER C Search Search CORNWELL, BARBARA S Search HENDRICKS COUNTY BANK AND TRUST	
200240477	Hendricks	11/22/2002	MORT : MORTGAGE	CORNWELL, CHRISTOPHER C Search Search CORNWELL, BARBARA S Search HENDRICKS COUNTY BANK TR	Search 11-16N-1E SW SW

Document Details	County	Date	Type	Name	Legal
200302950	Hendricks	01/21/2003	MORT : MORTGAGE	CORNWELL, CHRISTOPHER C Search Search CORNWELL, BARBARA S Search FREEDOM MORTGAGE	Search 11-16N-1E SW SW
200302951	Hendricks	01/21/2003	ASGN : MORTGAGE ASSIGNMENT	CORNWELL, CHRISTOPHER C Search Search CORNWELL, BARBARA S Search WASHINGTON MUTUAL BANK	Search 11-16N-1E SW SW
200305814	Hendricks	02/07/2003	REL : MORTGAGE RELEASE	CORNWELL, CHRISTOPHER C Search Search CORNWELL, BARBARA S Search HENDRICKS COUNTY BANK TR	
200351707	Hendricks	12/01/2003	DEED : DEED	CORNWELL, CHRISTOPHER C Search Search HENDRICKS COUNTY BANK & TRUST Search CORNWELL, BARBARA S	Search Lot 26 VONDERSAARS SECTION 3
200351708	Hendricks	12/01/2003	MORT : MORTGAGE	CORNWELL, CHRISTOPHER C Search Search CORNWELL, BARBARA S Search HENDRICKS COUNTY BANK TR	Search Lot 26 VONDERSAARS SECTION 3
200351920	Hendricks	12/02/2003	MORT : MORTGAGE	CORNWELL, CHRISTOPHER C Search Search CORNWELL, BARBARA S Search HENDRICKS COUNTY BANK TR	Search Lot 2 ASPEN WAY
200351969	Hendricks	12/02/2003	DEED : DEED	CORNWELL, CHRISTOPHER C Search Search KIRBY, JESSICA J Search KIRBY, LLOYD E JR Search CORNWELL, BARBARA	Search Lot 8 OSBORNES ADDITION (WILLIAM B)

Document Details	County	Date	Type	Name	Legal
200351970	Hendricks	12/02/2003	MORT : MORTGAGE	CORNWELL, CHRISTOPHER C Search Search CORNWELL, BARBARA Search FREEDOM MORTGAGE	Search Lot 8 OSBORNES ADDITION (WILLIAM B)
200351971	Hendricks	12/02/2003	ASGN : MORTGAGE ASSIGNMENT	CORNWELL, CHRISTOPHER C Search Search CORNWELL, BARBARA Search PRINCIPAL RESIDENTIAL MORTGAGE	
200354814	Hendricks	12/29/2003	MORT : MORTGAGE	CORNWELL, CHRISTOPHER C Search Search CORNWELL, BARBARA S Search FREEDOM MORTGAGE	Search Lot 26 VONDERSAARS SECTION 3
200354815	Hendricks	12/29/2003	ASGN : MORTGAGE ASSIGNMENT	CORNWELL, CHRISTOPHER C Search Search CORNWELL, BARBARA S Search GMAC BANK Search MORTGAGE ELECTRONIC REGISTRATION SYSTEMS	
200401210	Hendricks	01/14/2004	REL : MORTGAGE RELEASE	CORNWELL, CHRISTOPHER C Search Search CORNWELL, BARBARA S Search HENDRICKS COUNTY BANK AND TRUST	
200605218	Hendricks	03/01/2006	DEED : DEED	CORNWELL, CHRISTOPHER C Search Search CORNWELL, BARBARA Search CORNWELL, ANDREW M	Search Lot 8 OSBORNES ADDITION (WILLIAM B)
200606418	Hendricks	03/14/2006	REL : MORTGAGE RELEASE	CORNWELL, CHRISTOPHER C Search Search CORNWELL, BARBARA Search FREEDOM MORTGAGE	

Document Details	County	Date	Type	Name	Legal
200628326	Hendricks	10/03/2006	REL : MORTGAGE RELEASE	CORNWELL, CHRISTOPHER C Search Search CORNWELL, BARBARA S Search HENDRICKS COUNTY BANK TR	
200632348	Hendricks	11/14/2006	MORT : MORTGAGE	CORNWELL, CHRISTOPHER C Search Search CORNWELL, BARBARA S Search HENDRICKS COUNTY BANK TR	Search Lot 2 ASPEN WAY
200808870	Hendricks	04/11/2008	MORT : MORTGAGE	CORNWELL, CHRISTOPHER C Search Search CORNWELL, BARBARA S Search LINCOLN BANK	Search Lot 2 ASPEN WAY
200809281	Hendricks	04/16/2008	REL : MORTGAGE RELEASE	CORNWELL, CHRISTOPHER C Search Search CORNWELL, BARBARA S Search HENDRICKS COUNTY BANK AND TRUST	
201001877	Hendricks	01/29/2010	MORT : MORTGAGE	CORNWELL, CHRISTOPHER C Search Search CORNWELL, BARBARA S Search UNION SAVINGS BANK	Search Lot 2 ASPEN WAY
201002603	Hendricks	02/08/2010	REL : MORTGAGE RELEASE	CORNWELL, CHRISTOPHER C Search Search CORNWELL, BARBARA S Search FREEDOM MORTGAGE Search JPMORGAN CHASE BANK see details for more	
201004696	Hendricks	03/11/2010	REL : MORTGAGE RELEASE	CORNWELL, CHRISTOPHER C Search Search CORNWELL, BARBARA S Search FIRST MERCHANTS BANK OF CENTRAL INDIANA Search LINCOLN BANK	

Document Details	County	Date	Type	Name	Legal
201105859	Hendricks	03/09/2011	DEED : DEED	CORNWELL, CHRISTOPHER C Search Search SHRYOCK, BECKEY J Search CORNWELL, BARBARA S	Search 1-16N-1W NE
201127300	Hendricks	12/07/2011	MORT : MORTGAGE	CORNWELL, CHRISTOPHER C Search Search CORNWELL, BARBARA S Search UNION SAVINGS BANK	Search Lot 2 ASPEN WAY
201200843	Hendricks	01/12/2012	REL : MORTGAGE RELEASE	CORNWELL, CHRISTOPHER C Search Search CORNWELL, BARBARA S Search UNION SAVINGS BANK	
201203505	Hendricks	02/09/2012	DEED : DEED	CORNWELL, CHRISTOPHER C Search Search CORNWELL, BARBARA S Search SCOTT, ANN E Search SCOTT, MATTHEW B	Search Lot 2 ASPEN WAY
201204883	Hendricks	02/28/2012	DEED : DEED	CORNWELL, CHRISTOPHER C Search Search ZWERN, ANITA Search CORNWELL, BARBARA S	Search Lot 9 WOODRIDGE COMMONS
201204884	Hendricks	02/28/2012	MORT : MORTGAGE	CORNWELL, CHRISTOPHER C Search Search CORNWELL, BARBARA S Search MERS Search PRIMELENDING	Search Lot 9 WOODRIDGE COMMONS
201207968	Hendricks	04/04/2012	REL : MORTGAGE RELEASE	CORNWELL, CHRISTOPHER C Search Search CORNWELL, BARBARA S Search UNION SAVINGS BANK	

Document Details	County	Date	Type	Name	Legal
201208887	Hendricks	04/13/2012	REL : MORTGAGE RELEASE	CORNWELL, CHRISTOPHER C Search Search CORNWELL, BARBARA S Search FREEDOM MORTGAGE Search JPMORGAN CHASE BANK see details for more	
201208888	Hendricks	04/13/2012	REL : MORTGAGE RELEASE	CORNWELL, CHRISTOPHER C Search Search CORNWELL, BARBARA S Search FREEDOM MORTGAGE Search JPMORGAN CHASE BANK see details for more	
201225178	Hendricks	09/28/2012	DEED : DEED	CORNWELL, CHRISTOPHER C Search Search SNYDER, SHARI L Search CORNWELL, BARBARA S	Search Lot 9 NORTHWOOD DEVELOPMENT
201225179	Hendricks	09/28/2012	MORT : MORTGAGE	CORNWELL, CHRISTOPHER C Search Search CORNWELL, BARBARA S Search MERS Search PRIMELENDING	Search Lot 9 NORTHWOOD DEVELOPMENT
201409635	Hendricks	05/16/2014	DEED : DEED	CORNWELL, CHRISTOPHER C Search Search MEEBOER TRUST, DONNA R Search CORNWELL, BARBARA S	Search Lot 8 WOODRIDGE COMMONS
201415534	Hendricks	07/30/2014	DEED : DEED	CORNWELL, CHRISTOPHER C Search Search WOODRIDGE DEVELOPMENT GROUP INC Search CORNWELL, BARBARA S	Search Lot 7 WOODRIDGE COMMONS

Document Details	County	Date	Type	Name	Legal
201417593	Hendricks	08/25/2014	REL : MORTGAGE RELEASE	CORNWELL, CHRISTOPHER C Search Search CORNWELL, BARBARA S Search FREEDOM MORTGAGE COMPANY Search JPMORGAN CHASE BANK see details for more	
201423674	Hendricks	11/07/2014	MORT : MORTGAGE	CORNWELL, CHRISTOPHER C Search Search CORNWELL, BARBARA S Search MERS Search PRIMELENDING	Search 11-16N-1E SW SW
201423675	Hendricks	11/07/2014	MORT : MORTGAGE	CORNWELL, CHRISTOPHER C Search Search CORNWELL, BARBARA S Search MORTGAGE ELECTRONIC REGISTRATION SYSTEMS INC Search PRIMELENDING,	Search 6-16N-1E NW NE
201423967	Hendricks	11/12/2014	REL : MORTGAGE RELEASE	CORNWELL, CHRISTOPHER C Search Search CORNWELL, BARBARA S Search FREEDOM MORTGAGE COMPANY Search GMAC BANK see details for more	
201425840	Hendricks	12/09/2014	REL : MORTGAGE RELEASE	CORNWELL, CHRISTOPHER C Search Search CORNWELL, BARBARA S Search MERS Search PRIMELENDING	Search Lot 9 NORTHWOOD DEVELOPMENT
201710986	Hendricks	05/15/2017	MORT : MORTGAGE	CORNWELL, CHRISTOPHER C Search Search CORNWELL, BARBARA S Search MERS Search PRIMELENDING	Search Lot 26 VONDERSAARS SECTION 3
201710987	Hendricks	05/15/2017	MORT : MORTGAGE	CORNWELL, CHRISTOPHER C Search Search CORNWELL, BARBARA S Search MERS Search PRIMELENDING	Search 1-16N-1W NE

Document Details	County	Date	Type	Name	Legal
201724346	Hendricks	10/10/2017	REL : MORTGAGE RELEASE	CORNWELL, CHRISTOPHER C Search Search CORNWELL, BARBARA S Search MERS Search PRIMELENDING	
201724659	Hendricks	10/13/2017	DEED : DEED	CORNWELL, CHRISTOPHER C Search Search CORNWELL, BARBARA S Search HUNT, LESLIE Search HUNT, MARTIN D	Search Lot 9 WOODRIDGE COMMONS
201724687	Hendricks	10/13/2017	REL : MORTGAGE RELEASE	CORNWELL, CHRISTOPHER C Search Search CORNWELL, BARBARA S Search MERS Search PRIMELENDING	
201724699	Hendricks	10/16/2017	MORT : MORTGAGE	CORNWELL, CHRISTOPHER C Search Search CORNWELL, BARBARA S Search MERS Search PRIMELENDING	Search Lot 8 WOODRIDGE COMMONS
201726027	Hendricks	10/30/2017	REL : MORTGAGE RELEASE	CORNWELL, CHRISTOPHER C Search Search CORNWELL, BARBARA S Search MERS Search PRIMELENDING	
201728721	Hendricks	11/30/2017	DEED : DEED	CORNWELL, CHRISTOPHER C Search Search ROSS, MILDRED P Search CORNWELL, BARBARA S	Search Lot 14 FAIRFIELD HEIGHTS SECTION 1
201730128	Hendricks	12/18/2017	MORT : MORTGAGE	CORNWELL, CHRISTOPHER C Search Search CORNWELL, BARBARA S Search FIRST FINANCIAL BANK	Search Lot 8 WOODRIDGE COMMONS

Document Details	County	Date	Type	Name	Legal
201816257	Hendricks	07/24/2018	REL : MORTGAGE RELEASE	CORNWELL, CHRISTOPHER C Search Search CORNWELL, BARBARA S Search MERS Search PRIMELENDING	
201825476	Hendricks	11/09/2018	REL : MORTGAGE RELEASE	CORNWELL, CHRISTOPHER C Search Search CORNWELL, BARBARA S Search FINANCIAL CENTER FEDERAL CREDIT UNION Search FINANCIAL CENTER FIRST CREDIT UNION	
201900343	Hendricks	01/07/2019	DEED : DEED	CORNWELL, CHRISTOPHER C Search Search CONWELL, JANICE E Search CORNWELL, BARBARA S	Search Lot 14 AGANS ADDITION
201904889	Hendricks	03/15/2019	MISC : POWER OF ATTORNEY	CORNWELL, CHRISTOPHER C Search Search CORNWELL, HELEN JOAN Search SNYDER, PAULA JOAN	
201930121	Hendricks	12/27/2019	DEED : DEED	CORNWELL, CHRISTOPHER C Search Search ADAMSON, GREGORY S Search ADAMSON, SABRINA A Search CORNWELL, BARBARA S	Search Lot 15 AGANS ADDITION
201930122	Hendricks	12/27/2019	MORT : MORTGAGE	CORNWELL, CHRISTOPHER C Search Search CORNWELL, BARBARA S Search MERS Search PRIMELENDING	Search Lot 15 AGANS ADDITION
201930124	Hendricks	12/27/2019	DEED : DEED	CORNWELL, CHRISTOPHER C Search Search ADAMSON, GREGORY S Search ADAMSON, SABRINA A Search CORNWELL, BARBARA S	Search Lot 15 AGANS ADDITION

Document Details	County	Date	Type	Name	Legal
201930125	Hendricks	12/27/2019	MORT : MORTGAGE	CORNWELL, CHRISTOPHER C Search Search CORNWELL, BARBARA S Search MERS Search PRIMELENDING	Search Lot 15 AGANS ADDITION
202114027	Hendricks	04/27/2021	DEED : DEED	CORNWELL, CHRISTOPHER C Search Search BROYLES TRUST, ALBERTA Search CORNWELL, BARBARA S	Search Lot 19 NORTHWOOD DEVELOPMENT (REVISED)
202114028	Hendricks	04/27/2021	MORT : MORTGAGE	CORNWELL, CHRISTOPHER C Search Search CORNWELL, BARBARA S Search MERS Search PRIMELENDING	Search Lot 19 NORTHWOOD DEVELOPMENT (REVISED)
202129941	Hendricks	09/10/2021	DEED : DEED	CORNWELL, CHRISTOPHER C Search Search CORNWELL, BARBARA S Search MITCHELL, LANCE L	Search Lot 26 VONDERSAARS SECTION 3
202130582	Hendricks	09/15/2021	REL : MORTGAGE RELEASE	CORNWELL, CHRISTOPHER C Search Search CORNWELL, BARBARA S Search MERS Search PRIMELENDING	Search Lot 15 AGANS ADDITION
202131278	Hendricks	09/22/2021	REL : MORTGAGE RELEASE	CORNWELL, CHRISTOPHER C Search Search CORNWELL, BARBARA S Search MERS Search PRIMELENDING	
202141646	Hendricks	12/21/2021	REL : MORTGAGE RELEASE	CORNWELL, CHRISTOPHER C Search Search CORNWELL, BARBARA S Search MERS Search PRIMELENDING	

Document Details	County	Date	Type	Name	Legal
202314183	Hendricks	08/14/2023	REL : MORTGAGE RELEASE	CORNWELL, CHRISTOPHER C Search Search CORNWELL, BARBARA S Search MERS Search PRIMELENDING	

The data or information provided is based on information obtained from Indiana Courts, Clerks, Recorders, and Department of Revenue, and is not to be considered or used as an official record. Doxpop, LLC, the Division of State Court Administration, the Indiana Courts and Clerks of Court, the Indiana Recorders, and the Indiana Department of Revenue: 1) Do not warrant that the information is accurate or complete; 2) Make no representations regarding the identity of any persons whose names appear in the information; and 3) Disclaim any liability for any damages resulting from the release or use of the information. The user should verify the information by personally consulting the official record maintained by the court, clerk, recorder or Department of Revenue.

Copyright © 2002-2024 Doxpop, llc. All Rights Reserved