



**LIEN SEARCH  
Product Cover Sheet**

**ORDER INFORMATION**

FILE/ORDER NUMBER:	LL-RSA-01156	PRODUCT NAME:	LIEN SEARCH REPORT
BORROWER NAME(S)	JAMES BURT		
PROPERTY ADDRESS:	409 N SYCAMORE ST, MARTINSVILLE, IN 46151		
CITY, STATE AND COUNTY:	MARTINSVILLE, INDIANA (IN) AND MORGAN		

**SEARCH INFORMATION**

SEARCH DATE:	11/19/2024	EFFECTIVE DATE:	11/15/2024
NAME(S) SEARCHED:	JAMES BURT		
ADDRESS/PARCEL SEARCHED:	409 N SYCAMORE ST, MARTINSVILLE, IN 46151/ 55-09-33-424-009.000-021		

**ASSESSMENT INFORMATION**

COMMENTS:	
-----------	--

**CURRENT OWNER VESTING**

JAMES BURT, AN ADULT

COMMENTS:	
-----------	--

**VESTING DEED**

DEED TYPE:	WARRANTY DEED	GRANTOR:	SHARON QUAKENBUSH, AN ADULT
DATED DATE:	06/24/2022	GRANTEE:	JAMES BURT, AN ADULT
BOOK/PAGE:	N/A	RECORDED DATE:	06/27/2022
INSTRUMENT NO:	202207534		
COMMENTS:			

**CURRENT TAXES**

FIRST INSTALLMENT		SECOND INSTALLMENT	
TAX YEAR:	2023 PAYABLE 2024(SPRING)	TAX YEAR:	2023 PAYABLE 2024(FALL)
TAX AMOUNT:	\$152.98	TAX AMOUNT:	\$152.98
TAX STATUS:	PAID	TAX STATUS:	PAID
DUE DATE:		DUE DATE:	
DELINQUENT DATE:		DELINQUENT DATE:	

**VOLUNTARY LIENS**

**SECURITY INSTRUMENT**

DOC NAME		AMOUNT:	
DATED DATE:		RECORDED DATE	
INSTRUMENT NO:		BOOK/PAGE:	
OPEN/CLOSED:		SUBJECT LIEN (YES/NO):	
BORROWER:			
LENDER:			
TRUSTEE:			
COMMENTS:	NO MORTGAGE FOUND.		

**FOR PREAMBLE**

CITY/TOWNSHIP/PARISH:	CITY OF MARTINSVILLE
-----------------------	----------------------

**ADDITIONAL NOTES**

**LEGAL DESCRIPTION**

THE FOLLOWING DESCRIBED REAL ESTATE IN MORGAN COUNTY IN THE STATE OF INDIANA, TO WIT:

BEGINNING AT THE NORTHWEST CORNER OF OUT LOT NUMBER 31, THENCE EAST FOLLOWING THE LINE OF SAID OUT LOT, ONE HUNDRED THIRTY-TWO (132) FEET, THENCE NORTH PARALLEL WITH THE WEST LINE OF SAID OUT LOT SIXTY (60) FEET OR TO THE SOUTH LINE OF OUT LOT NUMBER THIRTY (30), THENCE WEST FOLLOWING THE SOUTH LINE OF OUT LOT NUMBER THIRTY (30), TO THE SOUTHWEST CORNER THEREOF, THENCE SOUTH SIXTY (60) FEET OR TO THE PLACE OF BEGINNING, THE TRACT ABOVE IS INTENDED TO DESCRIBE THE LAND ORIGINALLY PLATTED AS HIGHLAND STREET EAST OF SYCAMORE STREET FOR ONE HUNDRED THIRTY-TWO (132) FEET BETWEEN OUT LOTS THIRTY (30) AND THIRTY-ONE (31) IN THE ORIGINAL PLAT OF THE TOWN, NOW CITY, OF MARTINSVILLE

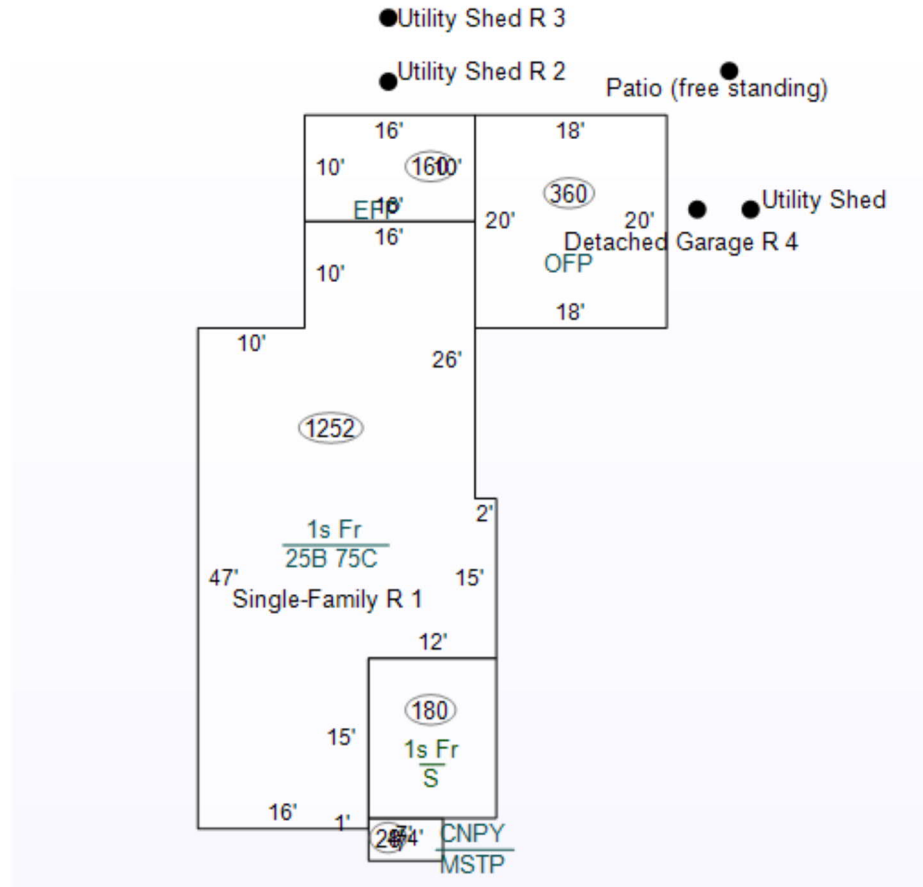
ALSO:

BEGINNING 212 FEET SOUTH OF THE NORTHWEST CORNER OF OUT LOT NUMBER THIRTY (30) IN THE ORIGINAL PLAT OF THE TOWN (NOW CITY) OF MARTINSVILLE, RUNNING THENCE SOUTH 66 FEET, THENCE EAST 134 FEET 3 INCHES; THENCE NORTH 66 FEET; THENCE WEST 134 FEET 3 INCHES TO THE PLACE OF BEGINNING

ALSO: A PART OF OUT LOT NUMBER 30 IN THE ORIGINAL PLAT OF THE CITY OF MARTINSVILLE, INDIANA AND VACATED HIGHLAND STREET IN SAID CITY, DESCRIBED AS FOLLOWS, TO-WIT: STARTING AT AN IRON PIN LOCATED AT THE SOUTHWEST CORNER OF A TRACT OF LAND CONVEYED TO RICHARD GOSS AND VIOLET E. GOSS, HUSBAND AND WIFE, IN A DEED RECORDED IN DEED RECORD 216, PAGE 122 IN THE OFFICE OF THE RECORDER OF MORGAN COUNTY, INDIANA; THENCE EAST ALONG THE SOUTH LINE OF SAID TRACT 132 FEET TO THE PLACE OF BEGINNING; THENCE NORTH 60 FEET TO THE NORTH EDGE OF VACATED HIGHLAND STREET; THENCE EAST 2.25 FEET; THENCE NORTH 66 FEET ALONG THE EAST LINE OF SAID TRACT; THENCE EAST 6.515 FEET; THENCE SOUTH 126.0 FEET; THENCE WEST 8.765 FEET TO THE PLACE OF BEGINNING.

## Morgan County, IN

409 N SYCAMORE ST  
39 DEGREES NORTH (855) GIS-3939



## Parcel Information

Owner Name	Burt James
Owner Address	409 N Sycamore St Martinsville, In 46151
Parcel Number	55-09-33-424-009.000-021
Alt Parcel Number	55-09-33-424-009.000-021
Property Address	409 N Sycamore St, Martinsville, In 46151
Property Class Code	510
Property Class	1 Family Dwell - Platted Lot
Neighborhood	Original Plat Of Martinsville, 5710793-021
Legal Description	VACATED HIGHLAND ST 140.765 'X 60' OUTLOT 30 ORIG PLAT S 1/2 SW 140.815' X 66'

## Taxing District

Township	Washington Township
Corporation	M.s.d. Martinsville
Taxing District Name	Martinsville City
Taxing District Number	021

**Land Description**

Land Type	Acreage	Dimensions
9	0.35	

**Transfer of Ownership**

Date	Name	Buyer	Document	Deed Type
1900-01-01	Quakenbush Perry L & Sharon			Wd
2020-10-19	Quakenbush Sharon		202012512	Af
2022-06-27	Burt James		202207534	Wd

## Valuation Record

Assessment Date	Reason for Change	Land	Improvements
2024-04-02	Annual Adjustment	\$29,400.00	\$172,400.00
2023-03-20	General Revaluation	\$29,400.00	\$172,500.00
2022-04-04	Annual Adjustment	\$29,400.00	\$157,200.00
2021-03-29	Annual Adjustment	\$34,500.00	\$134,000.00
2020-03-18	Annual Adjustment	\$34,500.00	\$129,000.00
2019-03-11	General Revaluation	\$34,500.00	\$120,200.00
2018-04-17	Annual Adjustment	\$34,500.00	\$110,200.00
2017-05-04	Annual Adjustment	\$34,500.00	\$93,900.00
2016-06-09	Annual Adjustment	\$34,500.00	\$93,900.00
2015-06-26	General Revaluation	\$34,500.00	\$93,900.00
2014-07-08	Annual Adjustment	\$34,500.00	\$92,100.00
2013-06-19	Annual Adjustment	\$34,500.00	\$92,100.00
2012-06-29	General Revaluation	\$34,500.00	\$92,900.00
2011-08-23	Annual Adjustment	\$34,500.00	\$68,900.00
2011-03-30	Miscellaneous	\$34,500.00	\$70,100.00
2010-08-18	Annual Adjustment	\$34,500.00	\$65,100.00
2009-03-01	Annual Adjustment	\$34,600.00	\$65,100.00
2008-03-01	Annual Adjustment	\$34,600.00	\$65,100.00
2007-03-01	Annual Adjustment	\$34,600.00	\$64,600.00
2006-03-01	Annual Adjustment	\$34,600.00	\$64,600.00
2005-03-01	Ag Land Update	\$34,600.00	\$57,700.00
2002-03-01	General Revaluation	\$34,500.00	\$57,700.00
2001-03-01	100% Av Initialized	\$12,000.00	\$23,200.00
1995-03-01	General Revaluation	\$4,000.00	\$7,700.00

## Sales

Sale Date	Sale Price	Buyer Name
2022-06-24	\$214,500.00	Burt James

### Public Utilities

---

Water	N
Sewer	N
Gas	N
Electricity	N
All	Y

### Exterior Features

---

Exterior Feature	Size/Area
Canopy, Shed Type	28
Patio, Brick	144
Porch, Enclosed Frame	160
Porch, Open Frame	360
Stoop, Masonry	28

### Special Features

---

Description	Size/Area
-------------	-----------

### Summary of Improvements

---

Buildings	Grade	Condition	Construction Year	Effective Year
Utility Shed R 2	D	F	1970	1970
Utility Shed R 3	D	F	1980	1980
Detached Garage R 4	D	A	1930	1930
Utility Shed	D	A	1950	1950
Patio (Free Standing)	C	A	2015	2015
Single-family R 1	C-1	A	1903	1903

### Single-Family R 1

---

### Accommodations

---

Bed Rooms	2
Finished Rooms	8

### Plumbing

---

Full Baths	1
Full Baths Fixtures	3
Half Baths	1
Half Baths Fixtures	2
Kitchen Sinks	1

### Other Residential Dwelling

---

Heat Type	Central Warm Air
Fireplaces	
Attached Garages	

### Floors

---

Floor	Construction	Base
1	Wood Frame	1,432
B		313
C		939
S		180



Tax Bill

### Parcel Information

Parcel Number	55-09-33-424-009.000-021
Tax ID	55-09-33-424-009.000-021
Owner Name	Burt James
Owner Address	409 N Sycamore St Martinsville, In 46151
Legal Description	VACATED HIGHLAND ST 140.765 'X 60' OUTLOT 30 ORIG PLAT S 1/2 SW 140.815' X 66'

### 2023 PAY 2024

#### Deductions

Type	Amount
Age - Over 65	\$14,000.00
Homestead Credit	\$48,000.00
Homestead - Supp	\$59,920.00

#### Payments

Tax Set	Charge Type	Total Charge	Posted Pay.
Martinsville City	Spring Installment	\$147.98	\$305.96
Martinsville City	Spring Other Assessment Tax	\$5.00	\$0
Martinsville City	Fall Installment	\$147.98	\$0
Martinsville City	Fall Other Assessment Tax	\$5.00	\$0
Martinsville City	Year Total	\$295.96	\$305.96
Martinsville City	Year Total Other Assessment Tax	\$10.00	\$0

### 2022 PAY 2023

#### Deductions

Type	Amount
Homestead	\$45,000.00
Homestead-suppl	\$47,845.00

#### Payments

Tax Set	Charge Type	Total Charge	Posted Pay.
Martinsville Corporation	1st Installment Tax	\$188.17	\$188.17
M A Nutter Drain Maintenance	1st Installment Tax	\$5.00	\$5.00
Martinsville Corporation	2nd Installment Tax	\$188.17	\$188.17
M A Nutter Drain Maintenance	2nd Installment Tax	\$5.00	\$5.00

### 2021 PAY 2022



**Deductions**

Type	Amount
Homestead	\$45,000.00
Homestead-suppl	\$41,790.00

**Payments**

Tax Set	Charge Type	Total Charge	Posted Pay.
Martinsville Corporation	1st Installment Tax	\$180.01	\$180.01
M A Nutter Drain Maintenance	1st Installment Tax	\$5.00	\$5.00
Martinsville Corporation	2nd Installment Tax	\$180.01	\$180.01
M A Nutter Drain Maintenance	2nd Installment Tax	\$5.00	\$5.00

**2020 PAY 2021****Deductions**

Type	Amount
Homestead	\$45,000.00
Homestead-suppl	\$40,075.00

**Payments**

Tax Set	Charge Type	Total Charge	Posted Pay.
Martinsville Corporation	1st Installment Tax	\$175.07	\$175.07
M A Nutter Drain Maintenance	1st Installment Tax	\$5.00	\$5.00
Martinsville Corporation	2nd Installment Tax	\$175.07	\$175.07
M A Nutter Drain Maintenance	2nd Installment Tax	\$5.00	\$5.00

**Overlay Report****Overlay by Landuse and Soil**

<b>PIN 18</b>	55-09-33-424-009.000-021		
<b>Total Acreage</b>	0.349		
<b>Total Adj. Acreage</b>	0.349		
<b>Soil Type</b>	<b>Land Use Code</b>	<b>Land Type</b>	<b>GIS Acreage</b>
Prb	5	Non-tillable Land	0.126
Pre	5	Non-tillable Land	0.223

**Overlay by Landuse**

---

**PIN 18**                      55-09-33-424-009.000-021  
**Total Acreage**            0.349  
**Total Adj. Acreage**      0.349

<b>Land Use Code</b>	<b>Land Type</b>	<b>GIS Acreage</b>
5	Non-tillable Land	0.349
Unk		0.000

---

**Morgan County Government, Indiana**  
**[Auditor](#)**  
**[Read this Disclaimer - Not for Official Use!](#)**

[Back](#) [Return to List](#) [Select](#) [Calculate](#) [Home](#) 2023 Payable 2024 ▾

Real Estate Property Information Residential 510: Residential One Family Dwelling On A Platted Lot	
2023 Payable 2024	
<b>Deeded Owner:</b>	(06/27/2022) Burt, James (11/04/2020) Quakenbush, Sharon (11/04/2020) Quakenbush, Perry L & Sharon (10/22/2020) Quakenbush, Sharon (01/01/2000) Quakenbush, Perry L & Sharon
<b>Property Address:</b>	409 N SYCAMORE ST Martinsville, IN 46151
<b>Parcel #:</b>	55-09-33-424-009.000-021 <a href="#">GIS Parcel</a> <a href="#">GIS Website</a>
<b>Tax Id:</b>	
<b>Map #:</b>	0710933424009000
<b>Acres:</b>	0.34 <b>Township:</b> <b>Range:</b> <b>Section:</b>
<b>Lots:</b>	See Legal Description
<b>Tax District:</b>	021: Martinsville City
<b>School District:</b>	5925 M.s.d. Martinsville School Corporation
<b>Township:</b>	Washington Township

Current Charges:	
<b>2023 Payable 2024</b>	<b>Balance: 0.00</b>
<a href="#">Print Charges</a>	<b>Spring Installment Due: 152.98</b>
	<b>Fall Installment Due: 152.98</b>
	<b>Total Payments: 305.96</b>

Legal Description:
VACATED HIGHLAND ST 140.765 'X 60' OUTLOT 30 ORIG PLAT S 1/2 SW 140.815' X 66'

Parties involved with this Parcel		
Type	Name	Address
Owner	Burt, James	409 N Sycamore St Martinsville, IN 46151 USA

Tax Calculations for: 2023 Payable 2024

Description		Amounts					
<b>Gross Assessment</b>							
29,400 <b>Cap 1</b> - Homestead Land							
168,400 <b>Cap 1</b> - Homestead Improvement							
4,100 <b>Cap 3</b> - NonRes Improvement		201,900					
<b>- Deductions/Exemptions</b>							
48,000 <b>Standard Deduction</b>							
14,000 <b>Over 65</b>							
59,920 <b>Supplemental Deduction</b>		121,920					
<b>= Taxable Assessment</b>		<b>79,980</b>					
		<b>2,026.12</b>					
<u>Gross Tax</u>	Net Av	Normal Taxes <b>0.0253330</b>	Referandum Taxes <b>0.0000000</b>				
Hmstd, Cap 1:	79,980	2,026.13	0.00				
Res / Rental, Cap 2:	0	0.00	0.00				
Long Term Care, Cap 2:	0	0.00	0.00				
Ag Land, Cap 2:	0	0.00	0.00				
Com Apt, Cap 2:	0	0.00	0.00				
MH Land, Cap 2:	0	0.00	0.00				
Non Res, Cap 3:	0	0.00	0.00				
<b>Total:</b>	<b>79,980</b>	<b>2,026.12</b>	<b>0.00</b>				
<b>- (P)roperty (T)ax (R)eplacement (C)redits:</b>		<b>577.90</b>					
	Tax	x Rate	- Credits = Taxes				
Hmstd, Cap 1:	2,026.13	0.285224	577.90 1,448.23				
Res / Rental, Cap 2:	0.00	0.256458	0.00 0.00				
Long Term Care, Cap 2:	0.00	0.256458	0.00 0.00				
Ag Land, Cap 2:	0.00	0.256458	0.00 0.00				
Com Apt, Cap 2:	0.00	0.256458	0.00 0.00				
MH Land, Cap 2:	0.00	0.256458	0.00 0.00				
Non Res, Cap 3:	0.00	0.256458	0.00 0.00				
<b>= after Credits Subtotal:</b>		<b>1,448.22</b>					
	Tax	Limit	- Credits = Taxes				
Hmstd, Cap 1:	1,448.23	1,978.00	0.00 1,448.23				
Res / Rental, Cap 2:	0.00	0.00	0.00 0.00				
Long Term Care, Cap 2:	0.00	0.00	0.00 0.00				
Ag Land, Cap 2:	0.00	0.00	0.00 0.00				
Com Apt, Cap 2:	0.00	0.00	0.00 0.00				
MH Land, Cap 2:	0.00	0.00	0.00 0.00				
Non Res, Cap 3:	0.00	123.00	0.00 0.00				
<b>- Cap Credits:</b>		<b>0.00</b>					
<b>- Over 65 Cap</b>		<b>1,152.27</b>					
		Hmstd Cap 1, Current Year Taxes: 1,448.23					
		- Hmstd Cap 1, Prev Year Taxes: 290.16 x 1.02 = Cap Limit of: 295.96					
		= <b>1,152.27</b>					
	Land	Improvement					
Hmstd, Cap 1 Taxes:	43.99	251.97					
Res / Rental, Cap 2 Taxes:	0.00	0.00					
Long Term Care, Cap 2 Taxes:	0.00	0.00					
Ag Land, Cap 2 Taxes:	0.00						
Com Apt, Cap 2 Taxes:	0.00	0.00					
MH Land, Cap 2 Taxes:	0.00						
Non Res, Cap 3 Taxes:	0.00	0.00					
<b>Caps Total:</b>	<b>43.99</b>	<b>251.97</b>	<b>Total: \$295.96</b>				
<b>Taxing Unit</b>	<b>Rate</b>	<b>Percentage</b>	<b>Gross</b>	<b>-Cap Credits</b>	<b>=Net</b>	<b>Taxpayer</b>	<b>Tax Credits</b>
MORGAN COUNTY	0.0040320	15.9160%	322.48	183.39	139.09	47.11	91.98
WASHINGTON TOWNSHIP	0.0001730	0.6829%	13.84	7.87	5.97	2.02	3.95
MARTINSVILLE CIVIL CITY	0.0128430	50.6967%	1,027.18	584.16	443.02	150.04	292.98
M.S.D. MARTINSVILLE SCHOOL CORPORATION	0.0079290	31.2991%	634.16	360.65	273.51	92.63	180.88
MORGAN COUNTY PUBLIC LIBRARY	0.0003560	1.4053%	28.47	16.19	12.28	4.16	8.12
	<b>0.0253330</b>	<b>100.0000%</b>	<b>2,026.12</b>	<b>1,152.26</b>	<b>873.86</b>	<b>295.96</b>	<b>577.90</b>

Historical Tax Information <== [See Tax break down](#)

Yearly Itemized Taxes:						
Year	Assessment	Deduction	Gross Tax	Tax Credits	Cap Credits	Taxes
2023 Pay 2024	201,900	121,920	2,026.12	577.90	1,152.26	295.96
2022 Pay 2023	186,600	92,845	2,228.74	641.34	1,211.06	376.34
2021 Pay 2022	168,500	86,790	2,121.68	689.11	1,072.55	360.02
2020 Pay 2021	163,500	85,075	2,012.54	690.11	972.29	350.14
2019 Pay 2020	154,700	81,610	1,910.88	615.01	927.27	368.60
2018 Pay 2019	144,700	79,020	1,754.04	601.72	837.68	314.64
2017 Pay 2018	128,400	73,420	1,474.18	494.81	674.93	304.44
2016 Pay 2017	128,400	73,420	1,470.94	483.94	687.40	299.60
2015 Pay 2016	128,400	76,420	1,232.92	557.96	386.18	288.78
2014 Pay 2015	126,600	75,790	1,158.10	625.73	251.07	281.30
2013 Pay 2014	126,600	75,790	1,060.92	593.94	193.82	273.16
2012 Pay 2013	127,400	75,965	1,056.72	646.37	140.25	270.10
2011 Pay 2012	103,400	67,740	695.62	337.89	96.97	260.76
2010 Pay 2011	99,600	66,550	606.00	300.41	56.11	249.48
2009 Pay 2010	99,700	66,585	588.72	345.06	0.00	243.66
2008 Pay 2009	99,700	66,585	723.44	427.90	0.00	295.54
2007 Pay 2008	99,200	48,000	1,181.80	1,009.50	0.00	172.30
2006 Pay 2007	99,200	48,000	1,170.84	552.98	0.00	617.86
2005 Pay 2006	92,300	38,000	1,396.70	711.76	0.00	684.94
2004 Pay 2005	92,200	38,000	1,322.32	556.24	0.00	766.08
2003 Pay 2004	92,200	38,000	1,155.22	539.84	0.00	615.38
2002 Pay 2003	92,200	38,000	1,031.20	452.96	0.00	578.24
2001 Pay 2002	35,200	9,000	762.00	217.92	0.00	544.08
2000 Pay 2001	11,730	3,000	757.00	212.90	0.00	544.10

Charges:		
		<b>Balance: 0.00</b>
<b>2023 Payable 2024</b>		Spring Installment Due: 152.98
		Fall Installment Due: 152.98
		<b>Total Payments: 305.96</b>
<b>2023 Payable 2024</b>		
<b>Tax Unit</b>	<b>Description</b>	<b>Charge</b>
Drain Maintenance: 502 Ma Nutter-m A Nutter Drain	Taxes, Fall	5.00
021: Martinsville City	Taxes, Fall	147.98
Drain Maintenance: 502 Ma Nutter-m A Nutter Drain	Taxes, Spring	5.00
021: Martinsville City	Taxes, Spring	147.98
Receipt #: 1243734	Effective: 04/15/2024	-305.96
Pymt id#: 3905251	Paid by: Check	
		<b>Due: 0.00</b>
		<b>Total Payments: 305.96</b>
All charges below here are a snapshot of how this parcel stood as of December Settlement of each year. Payments made after each year's December Settlement are applied to next year's charges.		
<b>2022 Payable 2023</b>		
<b>Tax Unit</b>	<b>Description</b>	<b>Charge</b>
502: M A Nutter Drain Maintenance	2nd Installment Tax	5.00
021: Martinsville Corporation	2nd Installment Tax	188.17
502: M A Nutter Drain Maintenance	1st Installment Tax	5.00
021: Martinsville Corporation	1st Installment Tax	188.17
Receipt #: window3-04192023-2-1	Effective: 04/19/2023	-386.34
Pymt id#: 1250296800	Paid by: Check	
		<b>Due: 0.00</b>
		<b>Total Payments: 386.34</b>
<b>2021 Payable 2022</b>		

<b>Tax Unit</b>	<b>Description</b>	<b>Charge</b>
502: M A Nutter Drain Maintenance	2nd Installment Tax	5.00
021: Martinsville Corporation	2nd Installment Tax	180.01
502: M A Nutter Drain Maintenance	1st Installment Tax	5.00
021: Martinsville Corporation	1st Installment Tax	180.01
Receipt #: window3db-04212022-58-1	Effective: 04/21/2022	-370.02
Pymt id#: 1465518158	Paid by: Check	
<b>Due:</b>		<b>0.00</b>
<b>Total Payments:</b>		<b>370.02</b>
<b>2020 Payable 2021</b>		
<b>Tax Unit</b>	<b>Description</b>	<b>Charge</b>
502: M A Nutter Drain Maintenance	2nd Installment Tax	5.00
021: Martinsville Corporation	2nd Installment Tax	175.07
502: M A Nutter Drain Maintenance	1st Installment Tax	5.00
021: Martinsville Corporation	1st Installment Tax	175.07
Receipt #: window2-04232021-83-1	Effective: 04/23/2021	-360.14
Pymt id#: 1773043714	Paid by: Check	
<b>Due:</b>		<b>0.00</b>
<b>Total Payments:</b>		<b>360.14</b>
<b>2019 Payable 2020</b>		
<b>Tax Unit</b>	<b>Description</b>	<b>Charge</b>
502: M A Nutter Drain Maintenance	2nd Installment Tax	5.00
021: Martinsville Corporation	2nd Installment Tax	184.30
502: M A Nutter Drain Maintenance	1st Installment Tax	5.00
021: Martinsville Corporation	1st Installment Tax	184.30
Receipt #: window2-04152020-51-1	Effective: 04/15/2020	-378.60
Pymt id#: 676207387	Paid by: Check	
<b>Due:</b>		<b>0.00</b>
<b>Total Payments:</b>		<b>378.60</b>
<b>2018 Payable 2019</b>		
<b>Tax Unit</b>	<b>Description</b>	<b>Charge</b>
502: M A Nutter Drain Maintenance	2nd Installment Tax	5.00
021: Martinsville Corporation	2nd Installment Tax	157.32
502: M A Nutter Drain Maintenance	1st Installment Tax	5.00
021: Martinsville Corporation	1st Installment Tax	157.32
Receipt #: window1-04152019-12-1	Effective: 04/15/2019	-324.64
Pymt id#: 316350058	Paid by: Check	
<b>Due:</b>		<b>0.00</b>
<b>Total Payments:</b>		<b>324.64</b>
<b>2017 Payable 2018</b>		
<b>Tax Unit</b>	<b>Description</b>	<b>Charge</b>
502: M A Nutter Drain Maintenance	2nd Installment Tax	5.00
021: Martinsville Corporation	2nd Installment Tax	152.22
502: M A Nutter Drain Maintenance	1st Installment Tax	5.00
021: Martinsville Corporation	1st Installment Tax	152.22
Receipt #: window3-04022018-45-1	Effective: 04/02/2018	-314.44
Pymt id#: 23562878	Paid by: Check	
<b>Due:</b>		<b>0.00</b>
<b>Total Payments:</b>		<b>314.44</b>
<b>2016 Payable 2017</b>		

<b>Tax Unit</b>	<b>Description</b>	<b>Charge</b>
502: M A Nutter Drain Maintenance	2nd Installment Tax	5.00
021: Martinsville Corporation	2nd Installment Tax	149.80
502: M A Nutter Drain Maintenance	1st Installment Tax	5.00
021: Martinsville Corporation	1st Installment Tax	149.80
Receipt #: window2-04112017-163-1	Effective: 04/11/2017	-309.60
Pymt id#: 46398152	Paid by: Check	
<b>Due:</b>		<b>0.00</b>
<b>Total Payments:</b>		<b>309.60</b>
<b>2015 Payable 2016</b>		
<b>Tax Unit</b>	<b>Description</b>	<b>Charge</b>
502: M A Nutter Drain Maintenance	2nd Installment Tax	5.00
021: Martinsville Corporation	2nd Installment Tax	144.39
502: M A Nutter Drain Maintenance	1st Installment Tax	5.00
021: Martinsville Corporation	1st Installment Tax	144.39
Receipt #: window2-04052016-76-1	Effective: 04/05/2016	-298.78
Pymt id#: 1275246321	Paid by: Check	
<b>Due:</b>		<b>0.00</b>
<b>Total Payments:</b>		<b>298.78</b>
<b>2014 Payable 2015</b>		
<b>Tax Unit</b>	<b>Description</b>	<b>Charge</b>
502: M A Nutter Drain Maintenance	2nd Installment Tax	5.00
021: Martinsville Corporation	2nd Installment Tax	140.65
502: M A Nutter Drain Maintenance	1st Installment Tax	5.00
021: Martinsville Corporation	1st Installment Tax	140.65
Receipt #: window2-04102015-140-1	Effective: 04/10/2015	-291.30
Pymt id#: 704045199	Paid by: Multiple ways...	
<b>Due:</b>		<b>0.00</b>
<b>Total Payments:</b>		<b>291.30</b>
<b>2013 Payable 2014</b>		
<b>Tax Unit</b>	<b>Description</b>	<b>Charge</b>
021: Martinsville Corporation	2nd Installment Tax	136.58
021: Martinsville Corporation	1st Installment Tax	136.58
Receipt #: window3-04032014-37-1	Effective: 04/03/2014	-273.16
Pymt id#: 1000764005	Paid by: Check	
<b>Due:</b>		<b>0.00</b>
<b>Total Payments:</b>		<b>273.16</b>
<b>2012 Payable 2013</b>		
<b>Tax Unit</b>	<b>Description</b>	<b>Charge</b>
021: Martinsville Corporation	2nd Installment Tax	135.05
021: Martinsville Corporation	1st Installment Tax	135.05
Receipt #: window2-04012013-76-1	Effective: 04/01/2013	-270.10
Pymt id#: 996629916	Paid by: Check	
<b>Due:</b>		<b>0.00</b>
<b>Total Payments:</b>		<b>270.10</b>
<b>2011 Payable 2012</b>		
<b>Tax Unit</b>	<b>Description</b>	<b>Charge</b>
021: Martinsville Corporation	2nd Installment Tax	130.38
021: Martinsville Corporation	1st Installment Tax	130.38
Receipt #: window1-04022012-59-1	Effective: 04/02/2012	-260.76
Pymt id#: 292136985	Paid by: Check	
<b>Due:</b>		<b>0.00</b>
<b>Total Payments:</b>		<b>260.76</b>
<b>2010 Payable 2011</b>		



<b>Tax Unit</b>	<b>Description</b>	<b>Charge</b>
021: Martinsville Corporation	2nd Installment Tax	124.74
021: Martinsville Corporation	1st Installment Tax	124.74
Receipt #: window2-04042011-65-1	Effective: 04/04/2011	
Pymt id#: 2007262254	Paid by: Check	-249.48
<b>Due:</b>		<b>0.00</b>
<b>Total Payments:</b>		<b>249.48</b>
<b>2009 Payable 2010</b>		
<b>Tax Unit</b>	<b>Description</b>	<b>Charge</b>
021: Martinsville Corporation	2nd Installment Tax	121.83
021: Martinsville Corporation	1st Installment Tax	121.83
Receipt #: window2-04122010-14-1	Effective: 04/12/2010	
Pymt id#: 1531118724	Paid by: Check	-243.66
<b>Due:</b>		<b>0.00</b>
<b>Total Payments:</b>		<b>243.66</b>
<b>2008 Payable 2009</b>		
<b>Tax Unit</b>	<b>Description</b>	<b>Charge</b>
021: Martinsville Corporation	2nd Installment Tax	147.77
021: Martinsville Corporation	1st Installment Tax	147.77
Receipt #: window2-05212009-54-1	Effective: 05/21/2009	
Pymt id#: 77839439	Paid by: Check	-295.54
<b>Due:</b>		<b>0.00</b>
<b>Total Payments:</b>		<b>295.54</b>
<b>2007 Payable 2008</b>		
<b>Tax Unit</b>	<b>Description</b>	<b>Charge</b>
021: Martinsville Corporation	2nd Installment Tax	86.15
021: Martinsville Corporation	1st Installment Tax	86.15
Receipt #: window1-08052008-80-1	Effective: 08/05/2008	
Pymt id#: 1241118135	Paid by: Check	-172.30
<b>Due:</b>		<b>0.00</b>
<b>Total Payments:</b>		<b>172.30</b>
<b>2006 Payable 2007</b>		
<b>Tax Unit</b>	<b>Description</b>	<b>Charge</b>
021: Martinsville Corporation	2nd Installment Tax	308.93
021: Martinsville Corporation	1st Installment Tax	308.93
Receipt #: window1-06132007-59-1	Effective: 06/13/2007	
Pymt id#: 341677382	Paid by: Check	-617.86
<b>Due:</b>		<b>0.00</b>
<b>Total Payments:</b>		<b>617.86</b>
<b>2005 Payable 2006</b>		
<b>Tax Unit</b>	<b>Description</b>	<b>Charge</b>
021: Martinsville Corporation	2nd Installment Tax	342.47
021: Martinsville Corporation	1st Installment Tax	342.47
Receipt #: window2-04172006-84-1	Effective: 04/17/2006	
Pymt id#: 1416901608	Paid by: Check	-684.94
<b>Due:</b>		<b>0.00</b>
<b>Total Payments:</b>		<b>684.94</b>
<b>2004 Payable 2005</b>		
<b>Tax Unit</b>	<b>Description</b>	<b>Charge</b>
021: Martinsville Corporation	2nd Installment Tax	383.04
021: Martinsville Corporation	1st Installment Tax	383.04
Receipt #: window1-04062005-5-1	Effective: 04/06/2005	
Pymt id#: 591839242	Paid by: Check	-766.08
<b>Due:</b>		<b>0.00</b>
<b>Total Payments:</b>		<b>766.08</b>
<b>2003 Payable 2004</b>		

Tax Unit	Description	Charge
021: Martinsville Corporation	2nd Installment Tax	307.69
021: Martinsville Corporation	1st Installment Tax	307.69
Receipt #: window1-04262004-142-1	Effective: 04/26/2004	-615.38
Pymt id#: 1862121052	Paid by: Check	
	<b>Due:</b>	<b>0.00</b>
	<b>Total Payments:</b>	<b>615.38</b>

**2002 Payable 2003**

Tax Unit	Description	Charge
021: Martinsville Corporation	2nd Installment Tax	289.12
021: Martinsville Corporation	1st Installment Tax	289.12
Receipt #: win1-08292003-153-1	Effective: 08/29/2003	-578.24
Pymt id#: 1868937218	Paid by: Check	
	<b>Due:</b>	<b>0.00</b>
	<b>Total Payments:</b>	<b>578.24</b>

**2001 Payable 2002**

Tax Unit	Description	Charge
021: Martinsville Corporation	2nd Installment Tax	272.04
021: Martinsville Corporation	1st Installment Tax	272.04
Receipt #: one-04192002-12-1	Effective: 04/19/2002	-544.08
Pymt id#: 2023318060	Paid by: Check	
	<b>Due:</b>	<b>0.00</b>
	<b>Total Payments:</b>	<b>544.08</b>

**2000 Payable 2001**

Tax Unit	Description	Charge
021: Martinsville Corporation	2nd Installment Tax	272.05
021: Martinsville Corporation	1st Installment Tax	272.05
Receipt #: tam1-04232001-1-1	Effective: 04/23/2001	-544.10
Pymt id#: 1662931300	Paid by: Check	
	<b>Due:</b>	<b>0.00</b>
	<b>Total Payments:</b>	<b>544.10</b>

**Transfers**

Transfers		

Transfer Date: 06/29/2022 (Computer System) <b>Tax Id:</b> 0710933424009000 <b>Deeded Owner:</b> Burt, James <b>Address:</b>	<b>Transfer Type:</b> Warranty Deed <b>Instrument #:</b> 202207534 <b>(Doc#) Book:</b> <b>Page:</b>
Transfer Date: 06/29/2022 (Computer System) Instrument Date: 06/24/2022 Recorded Date: 06/27/2022 <b>Tax Id:</b> 071-09-33-424-009-000 <b>Deeded Owner:</b> Burt, James <b>Address:</b> Burt, James 409 N Sycamore St Martinsville, IN 46151 USA	<b>Transfer Type:</b> Warranty Deed <b>Instrument #:</b> 202207534 <b>(Doc#) Book:</b> <b>Page:</b>
Transfer Date: 11/04/2020 (Computer System) <b>Tax Id:</b> 0710933424009000 <b>Deeded Owner:</b> Quakenbush, Sharon <b>Address:</b>	<b>Transfer Type:</b> Survivorship Affidavit <b>Instrument #:</b> 202012512 <b>(Doc#) Book:</b> <b>Page:</b>
Transfer Date: 11/04/2020 (Computer System) <b>Tax Id:</b> 0710933424009000 <b>Deeded Owner:</b> Quakenbush, Perry L & Sharon <b>Address:</b>	<b>Transfer Type:</b> <b>Instrument #:</b> <b>(Doc#) Book:</b> <b>Page:</b>
Transfer Date: 11/04/2020 (Computer System) Instrument Date: 10/19/2020 Recorded Date: 10/22/2020 <b>Tax Id:</b> 071-09-33-424-009-000 <b>Deeded Owner:</b> Quakenbush, Sharon <b>Address:</b> Quakenbush, Sharon 409 N Sycamore St Martinsville, IN 46151 USA	<b>Transfer Type:</b> Survivorship Affidavit <b>Instrument #:</b> 202012512 <b>(Doc#) Book:</b> <b>Page:</b>

Auditor / Treasurer Notes		
Beg Date:	End Date:	
01/01/2023	Current	05/12/2023 cherylh 6/27/22 James Burt filed homestead by sales disclosure for 23/24 4/18/2023 James Burt filed the over 65/CB for 23/24
		07/28/2009 shireman 7-22-09 Quakenbush filed mortgage exemption for 10/11
		06/11/2009 shireman 6-4-09 Perry Quakenbush filed age/c.b. for 09/10
		12/20/2007 lindam Name: Quakenbush, Perry L & Sharon Homestead credit refund amount: \$125.87
01/01/2023	Current	05/12/2023 cherylh 6/27/22 James Burt filed homestead by sales disclosure for 23/24 4/18/2023 James Burt filed the over 65/CB for 23/24
		07/28/2009 shireman 7-22-09 Quakenbush filed mortgage exemption for 10/11
		06/11/2009 shireman 6-4-09 Perry Quakenbush filed age/c.b. for 09/10
		12/20/2007 lindam Name: Quakenbush, Perry L & Sharon Homestead credit refund amount: \$125.87
09/14/2022	Current	6/27/22 James Burt filed homestead by sales disclosure for 23/24
		4/18/2023 James Burt filed the over 65/CB for 23/24
07/28/2009	Current	7-22-09 Quakenbush filed mortgage exemption for 10/11
06/11/2009	Current	6-4-09 Perry Quakenbush filed age/c.b. for 09/10
12/20/2007	Current	Name: Quakenbush, Perry L & Sharon Homestead credit refund amount: \$125.87

[Back](#)



**WARRANTY DEED**

**File No.:** CTIN2203976  
CT Mooresville

**THIS INDENTURE WITNESSETH**, that Sharon Quakenbush, an adult (Grantor) CONVEY(S) AND WARRANT(S) to:

James Burt, an adult (Grantee) for the sum of Ten Dollars (\$10.00) and other valuable consideration, the receipt and sufficiency of which are hereby acknowledged, the following described real estate in Morgan County in the State of Indiana, to wit:

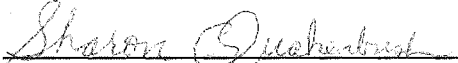
SEE EXHIBIT "A" ATTACHED HERETO AND MADE A PART HEREOF

**Property:** 409 N Sycamore Street, Martinsville, IN 46151-1160

**Subject to** all current real estate taxes and assessments and all subsequent taxes and assessments.

**Subject to** all easements, covenants, conditions, and restrictions of record.

IN WITNESS WHEREOF, Grantor has executed this deed this 24 day of June, 2022.

  
Sharon Quakenbush

State of Indiana

County of Morgan

Before me, the undersigned, a Notary Public, in and for said County and State, personally appeared Sharon Quakenbush, an adult, who acknowledged the execution of the foregoing instrument, and who, having been duly sworn, stated that any representations therein contained are true.

Witness my hand and Notarial Seal this 24 day of June, 2022

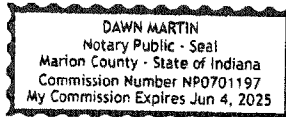
Signature: Dawn Martin

Printed: Dawn Martin

Resident of: Marion County

State of: IN

My Commission expires: 6-4-25



**Prepared By:** Dena Phillips Farling, for the benefit of Chicago Title Company, LLC

**Grantee's Address and Tax Billing Address:** 409 N Sycamore Street  
Martinsville, IN 46151-1160

I affirm, under the penalties for perjury, that I have taken reasonable care to redact each Social Security number in this document, unless required by law: Dena Phillips Farling.

**EXHIBIT "A"**  
Legal Description

**For APN/Parcel ID(s): 55-09-33-424-009.000-021**

---

BEGINNING AT THE NORTHWEST CORNER OF OUT LOT NUMBER 31, THENCE EAST FOLLOWING THE LINE OF SAID OUT LOT, ONE HUNDRED THIRTY-TWO (132) FEET, THENCE NORTH PARALLEL WITH THE WEST LINE OF SAID OUT LOT SIXTY (60) FEET OR TO THE SOUTH LINE OF OUT LOT NUMBER THIRTY (30), THENCE WEST FOLLOWING THE SOUTH LINE OF OUT LOT NUMBER THIRTY (30), TO THE SOUTHWEST CORNER THEREOF, THENCE SOUTH SIXTY (60) FEET OR TO THE PLACE OF BEGINNING, THE TRACT ABOVE IS INTENDED TO DESCRIBE THE LAND ORIGINALLY PLATTED AS HIGHLAND STREET, EAST OF SYCAMORE STREET FOR ONE HUNDRED THIRTY-TWO (132) FEET BETWEEN OUT LOTS THIRTY (30) AND THIRTY-ONE (31) IN THE ORIGINAL PLAT OF THE TOWN, NOW CITY, OF MARTINSVILLE.

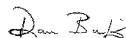
ALSO:

BEGINNING 212 FEET SOUTH OF THE NORTHWEST CORNER OF OUT LOT NUMBER THIRTY (30) IN THE ORIGINAL PLAT OF THE TOWN (NOW CITY) OF MARTINSVILLE, RUNNING THENCE SOUTH 66 FEET, THENCE EAST 134 FEET 3 INCHES, THENCE NORTH 66 FEET, THENCE WEST 134 FEET 3 INCHES TO THE PLACE OF BEGINNING.

ALSO: A PART OF OUT LOT NUMBER 30 IN THE ORIGINAL PLAT OF THE CITY OF MARTINSVILLE, INDIANA AND VACATED HIGHLAND STREET IN SAID CITY, DESCRIBED AS FOLLOWS, TO-WIT: STARTING AT AN IRON PIN LOCATED AT THE SOUTHWEST CORNER OF A TRACT OF LAND CONVEYED TO RICHARD GOSS AND VIOLET E. GOSS, HUSBAND AND WIFE, IN A DEED RECORDED IN DEED RECORD 216, PAGE 122 IN THE OFFICE OF THE RECORDER OF MORGAN COUNTY, INDIANA; THENCE EAST ALONG THE SOUTH LINE OF SAID TRACT 132 FEET TO THE PLACE OF BEGINNING; THENCE NORTH 60 FEET TO THE NORTH EDGE OF VACATED HIGHLAND STREET; THENCE EAST 2.25 FEET; THENCE NORTH 66 FEET ALONG THE EAST LINE OF SAID TRACT; THENCE EAST 6.515 FEET; THENCE SOUTH 126.0 FEET; THENCE WEST 8.765 FEET TO THE PLACE OF BEGINNING.

**DULY ENTERED FOR TAXATION**  
Subject to final acceptance for transfer

JUN 27, 2022



MORGAN COUNTY AUDITOR

# Search Results for:

**NAME: Burt, James (Super Search)**



**REGION: Morgan County, IN**

**DOCUMENTS VALIDATED THROUGH: 11/15/2024 3:35 PM**

Showing 309 results

Filter:

Document Details	County	Date	Type	Name	Legal
<a href="#">8801351</a>	Morgan	02/29/1988	REL : RELEASE	<b>ROSE, JAMES ROBERT</b> <a href="#">Search</a> <a href="#">Search</a> VETERANS AFFAIRS <a href="#">Search</a> ROSE, VIRGINIA RUTH	
<a href="#">8801551</a>	Morgan	03/08/1988	MORT : MORTGAGE	<b>QUICKERY, JAMES ROBERT</b> <a href="#">Search</a> <a href="#">Search</a> QUICKERY, MARGARET KAY <a href="#">Search</a> RCA EMPLOYEES CREDIT UNION	<a href="#">Search</a> Lot 333 FOXCLIFF ESTATES SEC 16
<a href="#">8802663</a>	Morgan	04/22/1988	DEED : WARRANTY DEED	<b>GILBERT, JAMES E</b> <a href="#">Search</a> <a href="#">Search</a> GILBERT, ROBIN D <a href="#">Search</a> WAGGONER, RICHARD P	<a href="#">Search</a> 11-11-1W NE NW
<a href="#">8804233</a>	Morgan	06/13/1988	REL : RELEASE	<b>BURT, JAMES J</b> <a href="#">Search</a> <a href="#">Search</a> HOME BUILDING ASSOCIATION <a href="#">Search</a> BURT, LINDA K	
<a href="#">8806992</a>	Morgan	09/12/1988	ASGN : ASSIGNMENT	<b>GILBERT, JAMES E</b> <a href="#">Search</a> <a href="#">Search</a> GILBERT, ROBIN D <a href="#">Search</a> GOLDOME REALTY CREDIT CORP <a href="#">Search</a> LEADER FEDERAL SAVINGS AND LOAN ASSOCIATION	
<a href="#">8807140</a>	Morgan	09/16/1988	REL : RELEASE	<b>GILBERT, JAMES E</b> <a href="#">Search</a> <a href="#">Search</a> LEADER FEDERAL SAVINGS AND LOAN ASSOCIATION <a href="#">Search</a> GILBERT, ROBIN D	



Document Details	County	Date	Type	Name	Legal
<a href="#">8809431</a>	Morgan	12/08/1988	MISC : POWER OF ATTORNEY	<b>BAILEY, JAMES ROBERT</b> <a href="#">Search</a> <a href="#">Search</a> BAILEY, MARJORIE ESTHER <a href="#">Search</a> CONRAD, PHILLIP M	<a href="#">Search</a> 3-13-1E W SW
<a href="#">8809432</a>	Morgan	12/08/1988	DEED : WARRANTY DEED	<b>BAILEY, JAMES ROBERT</b> <a href="#">Search</a> <a href="#">Search</a> BAILEY, JAMES R <a href="#">Search</a> BAILEY, MARJORIE <a href="#">Search</a> BAILEY, MARJORIE ESTHER <a href="#">see details for more</a>	<a href="#">Search</a> 3-13-1E W SW
<a href="#">8901965</a>	Morgan	03/16/1989	DEED : WARRANTY DEED	<b>TERHUNE, JAMES ROBERT JR</b> <a href="#">Search</a> <a href="#">Search</a> TERHUNE, EVELYN H	<a href="#">Search</a> 29-12-1E NE SW <a href="#">Search</a> 29-12-1E NW SE
<a href="#">8906836</a>	Morgan	08/30/1989	DEED : WARRANTY DEED	<b>GILBERT, JAMES E</b> <a href="#">Search</a> <a href="#">Search</a> GILBERT, ROBIN D <a href="#">Search</a> TUCKER, JULIUS I SR	<a href="#">Search</a> 11-11-1W NE NW
<a href="#">9005826</a>	Morgan	08/02/1990	DEED : WARRANTY DEED	<b>SHIPLEY, JAMES ROBERT</b> <a href="#">Search</a> <a href="#">Search</a> DOUGHERTY, WILLIAM LEE <a href="#">Search</a> PEARSON, RICHARD B <a href="#">Search</a> STOCKSDALE, DREW	<a href="#">Search</a> Lot 5 LAHR LAKE SHORES (FRED) [1-17]
<a href="#">9006445</a>	Morgan	08/21/1990	MORT : MORTGAGE	<b>BURT, JAMES J</b> <a href="#">Search</a> <a href="#">Search</a> BURT, LINDA K <a href="#">Search</a> HOME BANK SB	<a href="#">Search</a> 34-12-1E SW
<a href="#">9007574</a>	Morgan	09/25/1990	MISC : SURVIVORSHIP AFFIDAVIT	<b>ASHER, JAMES ROBERT</b> <a href="#">Search</a> <a href="#">Search</a> ASHER, VIOLET C <a href="#">Search</a> ASHER, JAMES R	<a href="#">Search</a> 36-11-1W SE SW <a href="#">Search</a> 36-11-1W SE SW
<a href="#">9007575</a>	Morgan	09/25/1990	DEED : EXECUTORS DEED	<b>ASHER, JAMES ROBERT</b> <a href="#">Search</a> <a href="#">Search</a> ASHER, VIOLET C	<a href="#">Search</a> 28-11-1W NW

Document Details	County	Date	Type	Name	Legal
<a href="#">9010018</a>	Morgan	12/19/1990	DEED : EXECUTORS DEED	<b>ASHER, JAMES ROBERT</b> <a href="#">Search</a> <a href="#">Search</a> ASHER, VIOLET C	<a href="#">Search</a> 21-11-1W NW <a href="#">Search</a> 16-11-1W S <a href="#">Search</a> 21-11-1W NE
<a href="#">9010250</a>	Morgan	12/31/1990	MORT : MORTGAGE	<b>COX, JAMES ROBERT</b> <a href="#">Search</a> <a href="#">Search</a> COX, CAROLYN SUE <a href="#">Search</a> MOORESVILLE SAVINGS BANK	<a href="#">Search</a> Lot 18 MORNINGSIDE ACRES SUBD [1-27]
<a href="#">9107957</a>	Morgan	09/06/1991	MORT : MORTGAGE	<b>BURT, JAMES J</b> <a href="#">Search</a> <a href="#">Search</a> BURT, LINDA K <a href="#">Search</a> FIRST INDIANA BANK	<a href="#">Search</a> 34-12-1E SW
<a href="#">9108393</a>	Morgan	09/20/1991	REL : RELEASE	<b>BURT, JAMES J</b> <a href="#">Search</a> <a href="#">Search</a> HOME BANK SB <a href="#">Search</a> BURT, LINDA K	
<a href="#">9200772</a>	Morgan	01/22/1992	DEED : WARRANTY DEED	<b>TERHUNE, JAMES ROBERT JR</b> <a href="#">Search</a> <a href="#">Search</a> TERHUNE, JAMES WESLEY	<a href="#">Search</a> 29-12-1E NW SE <a href="#">Search</a> 29-12-1E NE SW
<a href="#">9207212</a>	Morgan	06/25/1992	MORT : MORTGAGE	<b>ROBERTS, JAMES M SR</b> <a href="#">Search</a> <a href="#">Search</a> ROBERTS, DANA J <a href="#">Search</a> BANK ONE INDIANAPOLIS	<a href="#">Search</a> Lot 7 LAKEWOOD ACRES FIRST [1-14]
<a href="#">9307749</a>	Morgan	07/06/1993	REL : RELEASE	<b>QUICKERY, JAMES ROBERT</b> <a href="#">Search</a> <a href="#">Search</a> CUMMINS FEDERAL CREDIT UNION <a href="#">Search</a> QUICKERY, MARGARETT KAY	
<a href="#">9309486</a>	Morgan	08/13/1993	REL : RELEASE	<b>BURT, JAMES J</b> <a href="#">Search</a> <a href="#">Search</a> HOME BANK SB <a href="#">Search</a> BURT, LINDA K	
<a href="#">9309499</a>	Morgan	08/13/1993	MORT : MORTGAGE	<b>BURT, JAMES J</b> <a href="#">Search</a> <a href="#">Search</a> BURT, LINDA K <a href="#">Search</a> HOME BANK SB	<a href="#">Search</a> 34-12-1E SW

Document Details	County	Date	Type	Name	Legal
<a href="#">9310357</a>	Morgan	09/02/1993	REL : RELEASE	<b>BURT, JAMES J</b> <a href="#">Search</a> <a href="#">Search</a> FIRST INDIANA BANK <a href="#">Search</a> BURT, LINDA K	
<a href="#">9401379</a>	Morgan	02/01/1994	DEED : QUIT CLAIM DEED	<b>BALL, HUBERT JAMES</b> <a href="#">Search</a> <a href="#">Search</a> BALL, CATHLEEN GAYLE	<a href="#">Search</a> 25-13-1E W SW <a href="#">Search</a> 25-13-1E W SW
<a href="#">9402322</a>	Morgan	02/22/1994	REL : RELEASE	<b>COX, JAMES ROBERT</b> <a href="#">Search</a> <a href="#">Search</a> FIRST INDIANA BANK <a href="#">Search</a> MOORESVILLE SAVINGS BANK <a href="#">Search</a> COX, CAROLYN SUE	
<a href="#">9404274</a>	Morgan	04/06/1994	REL : RELEASE	<b>BURT, JAMES J</b> <a href="#">Search</a> <a href="#">Search</a> FARMERS HOME ADMINISTRATION <a href="#">Search</a> BURT, LINDA K	
<a href="#">9410692</a>	Morgan	08/29/1994	DEED : WARRANTY DEED	<b>ROBERTS, JAMES T</b> <a href="#">Search</a> <a href="#">Search</a> MEREDITH, MARY S <a href="#">Search</a> MEREDITH, WILLIAM J <a href="#">Search</a> ROBERTS, CAROL A	<a href="#">Search</a> Lot 2 CARTERS ADDN (MORGANTOWN) [1-25]
<a href="#">9410693</a>	Morgan	08/29/1994	MORT : MORTGAGE	<b>ROBERTS, JAMES T</b> <a href="#">Search</a> <a href="#">Search</a> ROBERTS, CAROL A <a href="#">Search</a> FIRST OF AMERICA BANK INDIANA	<a href="#">Search</a> Lot 2 CARTERS ADDN (MORGANTOWN) [1-25]
<a href="#">9415667</a>	Morgan	12/28/1994	DEED : WARRANTY DEED	<b>LAMBERT, RICHARD JAMES</b> <a href="#">Search</a> <a href="#">Search</a> RANSBURG, DEAN M <a href="#">Search</a> RANSBURG, NANCY J <a href="#">Search</a> FULLER, HOLLY LAMBERT <a href="#">see details for more</a>	<a href="#">Search</a> 10-11-2E
<a href="#">9500770</a>	Morgan	01/23/1995	LIEN : FEDERAL TAX LIEN	<b>THACKER, JAMES ROBERT</b> <a href="#">Search</a> <a href="#">Search</a> BOB THACKER CONSTRUCTION <a href="#">Search</a> U S TREASURY	

Document Details	County	Date	Type	Name	Legal
<a href="#">9505083</a>	Morgan	05/17/1995	REL : RELEASE	<b>ROBERTS, JAMES M SR</b> <a href="#">Search</a> <a href="#">Search</a> BANK ONE INDIANAPOLIS NA <a href="#">Search</a> ROBERTS, DANA J	
<a href="#">9505541</a>	Morgan	05/30/1995	MORT : MORTGAGE	<b>ROBERTS, JAMES M SR</b> <a href="#">Search</a> <a href="#">Search</a> ROBERTS, DANA J <a href="#">Search</a> BANK ONE INDIANAPOLIS NA	<a href="#">Search</a> Lot 7 LAKEWOOD ACRES FIRST [1-14]
<a href="#">9506485</a>	Morgan	06/19/1995	MISC : CONTRACT	<b>SWEET, JAMES ROBERT</b> <a href="#">Search</a> <a href="#">Search</a> CRUSE, CYNTHIA <a href="#">Search</a> CRUSE, PERRY <a href="#">Search</a> DEHART, JOSEPH E <a href="#">see details for more</a>	
<a href="#">9507840</a>	Morgan	07/20/1995	EASEMENT : EASEMENT	<b>KOLBE, JAMES ROBERT</b> <a href="#">Search</a> <a href="#">Search</a> KOLBE, BARBARA <a href="#">Search</a> EASTERN MORGAN COUNTY RURAL WATER COMPANY INC	<a href="#">Search</a> 10-12-2E
<a href="#">9508862</a>	Morgan	08/09/1995	MISC : AFFIDAVIT	<b>STEWART, JAMES ROBERT</b> <a href="#">Search</a> <a href="#">Search</a> STEWART, DOROTHY MAE	
<a href="#">9511025</a>	Morgan	09/18/1995	MISC : LEASE	<b>JAMESON, ROBERT</b> <a href="#">Search</a> <a href="#">Search</a> JAMESON, BARBARA <a href="#">Search</a> CONSOLIDATED EXPLORATION L L C	<a href="#">Search</a> 13-11-2W SE <a href="#">Search</a> 14-11-2W NE NW <a href="#">Search</a> 13-11-2W SE SW <a href="#">Search</a> 13-11-2W SE
<a href="#">9511002</a>	Morgan	09/18/1995	DEED : WARRANTY DEED	<b>PRITCHARD, JAMES ROBERT</b> <a href="#">Search</a> <a href="#">Search</a> ALLEN, JAMES D <a href="#">Search</a> PRITCHARD, GLENDA M	<a href="#">Search</a> Lot 6 MILHONS SECOND SUBD [1-24]
<a href="#">9511003</a>	Morgan	09/18/1995	MORT : MORTGAGE	<b>PRITCHARD, JAMES ROBERT</b> <a href="#">Search</a> <a href="#">Search</a> PRITCHARD, GLENDA M <a href="#">Search</a> CITIZENS BANK	<a href="#">Search</a> Lot 6 MILHONS SECOND SUBD [1-24]

Document Details	County	Date	Type	Name	Legal
<a href="#">9511004</a>	Morgan	09/18/1995	ASGN : ASSIGNMENT	<b>PRITCHARD, JAMES ROBERT</b> <a href="#">Search</a> <a href="#">Search</a> CITIZENS BANK <a href="#">Search</a> PRITCHARD, GLENDA M <a href="#">Search</a> CHEMICAL RESIDENTIAL MORTGAGE CORPORATION	
<a href="#">9513646</a>	Morgan	11/08/1995	DEED : WARRANTY DEED	<b>BURTON, JAMES E</b> <a href="#">Search</a> <a href="#">Search</a> FARLEY, LAURIE B <a href="#">Search</a> FARLEY, MARK K	<a href="#">Search</a> 26-13-1E SE
<a href="#">9513647</a>	Morgan	11/08/1995	MORT : MORTGAGE	<b>BURTON, JAMES E</b> <a href="#">Search</a> <a href="#">Search</a> PEOPLES BANK & TRUST COMPANY	<a href="#">Search</a> 26-13-1E SE
<a href="#">9515397</a>	Morgan	12/18/1995	DEED : QUIT CLAIM DEED	<b>HEATH, JAMES ROBERT SR</b> <a href="#">Search</a> <a href="#">Search</a> HEATH, JUNE <a href="#">Search</a> HEATH, JUNE	<a href="#">Search</a> 31-11-2E SW
<a href="#">9606763</a>	Morgan	05/20/1996	MORT : MORTGAGE	<b>KOLBE, JAMES ROBERT</b> <a href="#">Search</a> <a href="#">Search</a> KOLBE, BARBARA <a href="#">Search</a> FIRST NATIONAL BANK KOKOMO	<a href="#">Search</a> 10-12-2E SE
<a href="#">9606750</a>	Morgan	05/20/1996	ASGN : ASSIGNMENT	<b>ROBERTS, JAMES M SR</b> <a href="#">Search</a> <a href="#">Search</a> FLEET NATIONAL BANK <a href="#">Search</a> ROBERTS, DANA J <a href="#">Search</a> FLEET MORTGAGE CORP	
<a href="#">9611252</a>	Morgan	08/19/1996	LIEN : FEDERAL TAX LIEN	<b>THACKER, JAMES ROBERT</b> <a href="#">Search</a> <a href="#">Search</a> BOB THACKER CONSTRUCTION <a href="#">Search</a> THACKER BOB CONSTRUCTION <a href="#">Search</a> U S TREASURY	
<a href="#">9614313</a>	Morgan	10/21/1996	DEED : QUIT CLAIM DEED	<b>SWEET, JAMES ROBERT</b> <a href="#">Search</a> <a href="#">Search</a> SWEET, TONY <a href="#">Search</a> CRUSE, CYNTHIA L <a href="#">Search</a> CRUSE, PERRY D <a href="#">see details for more</a>	<a href="#">Search</a> 15-11-2E NW

Document Details	County	Date	Type	Name	Legal
<a href="#">9615540</a>	Morgan	11/19/1996	REL : RELEASE TAX LIEN	<b>THACKER, JAMES ROBERT</b> <a href="#">Search</a> <a href="#">Search</a> U S TREASURY <a href="#">Search</a> BOB THACKER CONSTRUCTION <a href="#">Search</a> THACKER CONSTRUCTION BOB	
<a href="#">9615542</a>	Morgan	11/19/1996	REL : RELEASE TAX LIEN	<b>THACKER, JAMES ROBERT</b> <a href="#">Search</a> <a href="#">Search</a> U S TREASURY <a href="#">Search</a> BOB THACKER CONSTRUCTION <a href="#">Search</a> THACKER CONSTRUCTION BOB	
<a href="#">9700017</a>	Morgan	01/02/1997	EASEMENT : EASEMENT	<b>LAMBERT, RICHARD JAMES</b> <a href="#">Search</a> <a href="#">Search</a> FULLER, HOLLY LAMBERT <a href="#">Search</a> FULLER, TERRANCE B <a href="#">Search</a> LAMBERT, BARBARA R <a href="#">see details for more</a>	<a href="#">Search</a> 10-11-2E SE
<a href="#">9700504</a>	Morgan	01/15/1997	MORT : MORTGAGE	<b>ROBERTS, JAMES M SR</b> <a href="#">Search</a> <a href="#">Search</a> ROBERTS, DANA J <a href="#">Search</a> BANK ONE INDIANAPOLIS NA	<a href="#">Search</a> Lot 7 LAKEWOOD ACRES FIRST [1-14]
<a href="#">9700652</a>	Morgan	01/21/1997	REL : RELEASE	<b>ROBERTS, JAMES M SR</b> <a href="#">Search</a> <a href="#">Search</a> BANK ONE INDIANAPOLIS NA <a href="#">Search</a> ROBERTS, DANA J	
<a href="#">9704668</a>	Morgan	04/21/1997	DEED : QUIT CLAIM DEED	<b>ROBERTS, JAMES T</b> <a href="#">Search</a> <a href="#">Search</a> ROBERTS, CAROL A <a href="#">Search</a> ROBERTS, CAROL A	<a href="#">Search</a> Lot 16 Block 1 HILL CREST ADDN [1-14 BLK 3; 1-16 BLK 4]
<a href="#">9705725</a>	Morgan	05/12/1997	MORT : MORTGAGE	<b>ROBERTS, JAMES T</b> <a href="#">Search</a> <a href="#">Search</a> ROBERTS, CAROL A <a href="#">Search</a> FIRST OF AMERICA BANK INDIANA	<a href="#">Search</a> Lot 16 Block 1 HILL CREST ADDN [1-14 BLK 3; 1-16 BLK 4]
<a href="#">9707554</a>	Morgan	06/18/1997	MORT : MORTGAGE	<b>JONES, JAMES ROBERT</b> <a href="#">Search</a> <a href="#">Search</a> JONES, SUE E <a href="#">Search</a> CITIZENS BANK OF CENTRAL INDIANA	<a href="#">Search</a> 4-12-2E SE

Document Details	County	Date	Type	Name	Legal
<a href="#">9708447</a>	Morgan	07/07/1997	DEED : WARRANTY DEED	<b>SMITH, JAMES ROBERT</b> <a href="#">Search</a>  <a href="#">Search</a> SMITH, MARY RUTH <a href="#">Search</a> SMITH, PAMELA JEAN	<a href="#">Search</a> 2-12-1W SW
<a href="#">9802140</a>	Morgan	02/18/1998	MISC : AFFIDAVIT	<b>FARRELL, ROBERT JAMES</b> <a href="#">Search</a>  <a href="#">Search</a> FARRELL, ROBERT JAMES	
<a href="#">9805358</a>	Morgan	04/13/1998	MORT : MORTGAGE	<b>PRITCHARD, JAMES ROBERT</b> <a href="#">Search</a>  <a href="#">Search</a> PRITCHARD, GLENDA M <a href="#">Search</a> NATIONAL FINANCE CORPORATION	<a href="#">Search</a> Lot 6 MILHONS SECOND SUBD [1-24]
<a href="#">9809663</a>	Morgan	06/19/1998	MORT : MORTGAGE	<b>ROBERTS, JAMES T</b> <a href="#">Search</a>  <a href="#">Search</a> ROBERTS, CAROL A <a href="#">Search</a> JACKSON COUNTY BANK	<a href="#">Search</a> Lot 2 CARTERS ADDN (MORGANTOWN) [1-25]
<a href="#">9810207</a>	Morgan	06/29/1998	REL : RELEASE	<b>ROBERTS, JAMES T</b> <a href="#">Search</a>  <a href="#">Search</a> FIRST OF AMERICA BANK NA <a href="#">Search</a> ROBERTS, CAROL A	
<a href="#">9818850</a>	Morgan	11/17/1998	DEED : WARRANTY DEED	<b>SMITH, JAMES ROBERT</b> <a href="#">Search</a>  <a href="#">Search</a> SMITH, MARY RUTH <a href="#">Search</a> SMITH, PAMELA JEAN	<a href="#">Search</a> 2-12-1W SW <a href="#">Search</a> 2-12-1W SW
<a href="#">9818851</a>	Morgan	11/17/1998	DEED : QUIT CLAIM DEED	<b>SMITH, JAMES ROBERT</b> <a href="#">Search</a>  <a href="#">Search</a> SMITH, PAMELA JEAN <a href="#">Search</a> SMITH, JAMES R	<a href="#">Search</a> 2-12-1W SW
<a href="#">9819664</a>	Morgan	12/01/1998	DEED : CORPORATE WARRANTY DEED	<b>ROBERTS, JAMES C II</b> <a href="#">Search</a>  <a href="#">Search</a> HANSEN & HORN GROUP INC <a href="#">Search</a> ROBERTS, ANNETTE M	<a href="#">Search</a> Lot 29 MISSION HEARTLAND CROSSING 2 [15-45]

Document Details	County	Date	Type	Name	Legal
<a href="#">9819665</a>	Morgan	12/01/1998	MORT : MORTGAGE	<b>ROBERTS, JAMES C II</b> <a href="#">Search</a> <a href="#">Search</a> ROBERTS, ANNETTE M <a href="#">Search</a> FIRST REPUBLIC MORTGAGE CORPORATION	<a href="#">Search</a> Lot 29 MISSION HEARTLAND CROSSING 2 [15-45]
<a href="#">9819666</a>	Morgan	12/01/1998	ASGN : ASSIGNMENT	<b>ROBERTS, JAMES C II</b> <a href="#">Search</a> <a href="#">Search</a> FIRST REPUBLIC MORTGAGE CORPORATION <a href="#">Search</a> ROBERTS, ANNETTE M <a href="#">Search</a> TRUSTCORP MORTGAGE COMPANY	
<a href="#">9901939</a>	Morgan	02/04/1999	MISC : AFFIDAVIT	<b>YOUNG, JAMES ALBERT</b> <a href="#">Search</a> <a href="#">Search</a> YOUNG, ANITA KATHRYN	<a href="#">Search</a> Lot 17 EVANS ALEXANDER ADDN [1-30] <a href="#">Search</a> Lot 18 EVANS ALEXANDER ADDN [1-30]
<a href="#">9904515</a>	Morgan	03/17/1999	MORT : MORTGAGE	<b>PRITCHARD, JAMES ROBERT</b> <a href="#">Search</a> <a href="#">Search</a> PRITCHARD, GLENDA M <a href="#">Search</a> FIRST INDIANA BANK	<a href="#">Search</a> Lot 6 MILHONS SECOND SUBD [1-24]
<a href="#">9906445</a>	Morgan	04/20/1999	MORT : MORTGAGE	<b>BURTON, JAMES E</b> <a href="#">Search</a> <a href="#">Search</a> PEOPLES BANK & TRUST COMPANY	<a href="#">Search</a> 26-13-1E SE
<a href="#">9906824</a>	Morgan	04/26/1999	DEED : WARRANTY DEED	<b>THACKER, JAMES ROBERT</b> <a href="#">Search</a> <a href="#">Search</a> THACKER, RAY <a href="#">Search</a> BRATCHER, MARTHA ANN <a href="#">Search</a> CARTER, KAREN SUE <a href="#">see details for more</a>	Non-land <a href="#">Search</a> 4-11-1E NW
<a href="#">9908621</a>	Morgan	05/25/1999	DEED : WARRANTY DEED	<b>DOTY, ROBERT JAMES</b> <a href="#">Search</a> <a href="#">Search</a> INMAN, CLIFFORD SCOTT	<a href="#">Search</a> Lot 145 HIGHLAND MEADOWS 7TH SECTION
<a href="#">9908622</a>	Morgan	05/25/1999	MORT : MORTGAGE	<b>DOTY, ROBERT JAMES</b> <a href="#">Search</a> <a href="#">Search</a> REPUBLIC BANK	<a href="#">Search</a> Lot 145 HIGHLAND MEADOWS 7TH SECTION



Document Details	County	Date	Type	Name	Legal
<a href="#">9908623</a>	Morgan	05/25/1999	ASGN : ASSIGNMENT	<b>DOTY, ROBERT JAMES</b> <a href="#">Search</a> <a href="#">Search</a> REPUBLIC BANK <a href="#">Search</a> LEADER MORTGAGE COMPANY	
<a href="#">9908624</a>	Morgan	05/25/1999	MORT : MORTGAGE	<b>DOTY, ROBERT JAMES</b> <a href="#">Search</a> <a href="#">Search</a> INDIANA HOUSING FINANCE AUTHORITY	<a href="#">Search</a> Lot 145 HIGHLAND MEADOWS 7TH SECTION
<a href="#">9908808</a>	Morgan	05/27/1999	DEED : CORPORATE WARRANTY DEED	<b>THACKER, JAMES ROBERT</b> <a href="#">Search</a> <a href="#">Search</a> THACKER, RAY <a href="#">Search</a> BRATCHER, MARTHA ANN <a href="#">Search</a> CARTER, KAREN SUE <a href="#">see details for more</a>	<a href="#">Search</a> 4-11-1E W NW
<a href="#">9910308</a>	Morgan	06/23/1999	MORT : MORTGAGE	<b>KOLBE, JAMES ROBERT</b> <a href="#">Search</a> <a href="#">Search</a> KOLBE, BARBARA <a href="#">Search</a> CITIZENS BANK	<a href="#">Search</a> 10-12-2E SE
<a href="#">9911565</a>	Morgan	07/16/1999	REL : RELEASE	<b>KOLBE, JAMES ROBERT</b> <a href="#">Search</a> <a href="#">Search</a> FIRST NATIONAL BANK & TRUST <a href="#">Search</a> KOLBE, BARBARA	
<a href="#">9914505</a>	Morgan	09/07/1999	REL : RELEASE	<b>KOLBE, JAMES ROBERT</b> <a href="#">Search</a> <a href="#">Search</a> CITIZENS BANK <a href="#">Search</a> KOLBE, BARBARA	
<a href="#">9915930</a>	Morgan	10/04/1999	REL : RELEASE	<b>PRITCHARD, JAMES ROBERT</b> <a href="#">Search</a> <a href="#">Search</a> CHASE MANHATTAN MORTGAGE CORPORATION <a href="#">Search</a> PRITCHARD, GLENDA M	
<a href="#">9917268</a>	Morgan	10/28/1999	MORT : MORTGAGE	<b>PRITCHARD, JAMES ROBERT</b> <a href="#">Search</a> <a href="#">Search</a> PRITCHARD, GLENDA M <a href="#">Search</a> HONOR STATE BANK	<a href="#">Search</a> Lot 6 MILHONS SECOND SUBD [1-24]

Document Details	County	Date	Type	Name	Legal
<a href="#">9920129</a>	Morgan	12/22/1999	DEED : QUIT CLAIM DEED	<b>KOLBE, JAMES ROBERT</b> <a href="#">Search</a>  <a href="#">Search</a> KOLBE, BARBARA A <a href="#">Search</a> NEAL, CATHY I <a href="#">Search</a> SCHIEFELBEIN, FAYE E <a href="#">see details for more</a>	<a href="#">Search</a> 10-12-2E SE
<a href="#">9920130</a>	Morgan	12/22/1999	DEED : WARRANTY DEED	<b>KOLBE, JAMES ROBERT</b> <a href="#">Search</a>  <a href="#">Search</a> KOLBE, BARBARA <a href="#">Search</a> HUNTER, GARY	<a href="#">Search</a> 10-12-2E SE <a href="#">Search</a> 10-12-2E SE
<a href="#">20002608</a>	Morgan	03/03/2000	ASGN : ASSIGNMENT	<b>PRITCHARD, JAMES ROBERT</b> <a href="#">Search</a>  <a href="#">Search</a> HONOR STATE BANK <a href="#">Search</a> PRITCHARD, GLENDA M <a href="#">Search</a> OLD KENT BANK	
<a href="#">20012332</a>	Morgan	09/14/2000	ASGN : ASSIGNMENT	<b>ROBERTS, JAMES M SR</b> <a href="#">Search</a>  <a href="#">Search</a> FLEET MORTGAGE CORP <a href="#">Search</a> ROBERTS, DANA J <a href="#">Search</a> MORTGAGE ELECTRONIC REGISTRATION SYSTEMS INC	
<a href="#">20015851</a>	Morgan	11/29/2000	PLAT : SURVEY	<b>HEATH, JAMES ROBERT SR</b> <a href="#">Search</a>  <a href="#">Search</a> HEATH, JAMES R SR <a href="#">Search</a> HEATH, JUNE <a href="#">Search</a> HEATH, MADONNA JUNE <a href="#">see details for more</a>	<a href="#">Search</a> 31-11-2E E SW <a href="#">Search</a> 31-11-2E E SW
<a href="#">20016972</a>	Morgan	12/22/2000	DEED : WARRANTY DEED	<b>BURTON, JAMES E</b> <a href="#">Search</a>  <a href="#">Search</a> FILIMON, DANNY W SR <a href="#">Search</a> YOUNG, DORA E	<a href="#">Search</a> 26-13-1E SE
<a href="#">20101280</a>	Morgan	02/02/2001	MORT : MORTGAGE	<b>PRITCHARD, JAMES ROBERT</b> <a href="#">Search</a>  <a href="#">Search</a> PRITCHARD, GLENDA M <a href="#">Search</a> BANK ONE NA	<a href="#">Search</a> Lot 6 MILHONS SECOND SUBD [1-24]

Document Details	County	Date	Type	Name	Legal
<a href="#">20101411</a>	Morgan	02/05/2001	REL : RELEASE	<b>PRITCHARD, JAMES ROBERT</b> <a href="#">Search</a> <a href="#">Search</a> NATIONAL FINANCE CORPORATION <a href="#">Search</a> PRITCHARD, GLENDA M	
<a href="#">20102732</a>	Morgan	03/02/2001	PLAT : SURVEY	<b>KOLBE, JAMES ROBERT</b> <a href="#">Search</a> <a href="#">Search</a> KOLBE, BARBARA <a href="#">Search</a> KOLBE, BARBARA A <a href="#">Search</a> KOLBE, BOB <a href="#">see details for more</a>	<a href="#">Search</a> 10-12-2E N SE <a href="#">Search</a> 10-12-2E N SE
<a href="#">20103107</a>	Morgan	03/09/2001	REL : RELEASE	<b>PRITCHARD, JAMES ROBERT</b> <a href="#">Search</a> <a href="#">Search</a> OLD KENT BANK <a href="#">Search</a> PRITCHARD, GLENDA M	
<a href="#">20104575</a>	Morgan	04/04/2001	REL : RELEASE	<b>PRITCHARD, JAMES ROBERT</b> <a href="#">Search</a> <a href="#">Search</a> FIRST INDIANA BANK <a href="#">Search</a> PRITCHARD, GLENDA M	
<a href="#">20106702</a>	Morgan	05/07/2001	REL : RELEASE	<b>BURTON, JAMES E</b> <a href="#">Search</a> <a href="#">Search</a> FIFTH THIRD BANK	
<a href="#">20110707</a>	Morgan	07/11/2001	ASGN : ASSIGNMENT	<b>ROBERTS, JAMES C II</b> <a href="#">Search</a> <a href="#">Search</a> ROBERTS, ANNETTE M <a href="#">Search</a> TRUSTCORP MORTGAGE COMPANY <a href="#">Search</a> ABN AMRO MORTGAGE GROUP INC	
<a href="#">20115264</a>	Morgan	09/21/2001	MISC : AFFIDAVIT	<b>DOTY, ROBERT JAMES</b> <a href="#">Search</a> <a href="#">Search</a> MOORESVILLE TOWN OF	<a href="#">Search</a> Lot 145 HIGHLAND MEADOWS 7TH SECTION
<a href="#">20116752</a>	Morgan	10/18/2001	DEED : WARRANTY DEED	<b>JAMESON, ALBERT B</b> <a href="#">Search</a> <a href="#">Search</a> BRIGGS, ERIC E <a href="#">Search</a> JAMESON, CORDIA	<a href="#">Search</a> 25-13-1E SW

Document Details	County	Date	Type	Name	Legal
<a href="#">20206013</a>	Morgan	04/03/2002	MISC : AFFIDAVIT	<b>DOTY, ROBERT JAMES</b> <a href="#">Search</a> <a href="#">Search</a> MOORESVILLE TOWN OF	<a href="#">Search</a> Lot 145 HIGHLAND MEADOWS 7TH SECTION
<a href="#">20218402</a>	Morgan	10/30/2002	MISC : AFFIDAVIT	<b>DOTY, ROBERT JAMES</b> <a href="#">Search</a> <a href="#">Search</a> MOORESVILLE TOWN OF	<a href="#">Search</a> Lot 145 HIGHLAND MEADOWS 7TH SECTION
<a href="#">20221049</a>	Morgan	12/06/2002	DEED : WARRANTY DEED	<b>POUNDERS, ROBERT JAMES</b> <a href="#">Search</a> <a href="#">Search</a> GAMMON, ROBERT C	<a href="#">Search</a> Lot 11 Block 1 HILL CREST ADDN [1-14 BLK 3; 1-16 BLK 4]
<a href="#">20221050</a>	Morgan	12/06/2002	MORT : MORTGAGE	<b>POUNDERS, ROBERT JAMES</b> <a href="#">Search</a> <a href="#">Search</a> WASHINGTON MUTUAL BANK	<a href="#">Search</a> Lot 11 Block 1 HILL CREST ADDN [1-14 BLK 3; 1-16 BLK 4]
<a href="#">200301844</a>	Morgan	01/28/2003	REL : RELEASE	<b>ROBERTS, JAMES T</b> <a href="#">Search</a> <a href="#">Search</a> JACKSON COUNTY BANK <a href="#">Search</a> ROBERTS, CAROL A	
<a href="#">200302037</a>	Morgan	01/31/2003	REL : RELEASE	<b>BURT, JAMES J</b> <a href="#">Search</a> <a href="#">Search</a> HOME BANK SB <a href="#">Search</a> BURT, LINDA K	
<a href="#">200302060</a>	Morgan	01/31/2003	MORT : MORTGAGE	<b>BURT, JAMES J</b> <a href="#">Search</a> <a href="#">Search</a> BURT, LINDA K <a href="#">Search</a> HOME BANK SB	<a href="#">Search</a> 34-12-1E SW
<a href="#">200302716</a>	Morgan	02/10/2003	MORT : MORTGAGE	<b>ROBERTS, JAMES T</b> <a href="#">Search</a> <a href="#">Search</a> ROBERTS, CAROL A <a href="#">Search</a> FIRST BANK	<a href="#">Search</a> Lot 2 CARTERS ADDN (MORGANTOWN) [1-25]
<a href="#">200303927</a>	Morgan	02/27/2003	REL : RELEASE	<b>ROBERTS, JAMES T</b> <a href="#">Search</a> <a href="#">Search</a> NATIONAL CITY BANK INDIANA <a href="#">Search</a> ROBERTS, CAROL A	
<a href="#">200304250</a>	Morgan	03/03/2003	MORT : MORTGAGE	<b>BURT, JAMES J</b> <a href="#">Search</a> <a href="#">Search</a> BURT, LINDA K <a href="#">Search</a> HOME BANK SB	<a href="#">Search</a> 34-12-1E SW

Document Details	County	Date	Type	Name	Legal
<a href="#">200304554</a>	Morgan	03/07/2003	LIEN : FEDERAL TAX LIEN	<b>THACKER, JAMES ROBERT</b> <a href="#">Search</a> <a href="#">Search</a> US TREASURY	
<a href="#">200304752</a>	Morgan	03/10/2003	DEED : WARRANTY DEED	<b>BURT, JAMES J</b> <a href="#">Search</a> <a href="#">Search</a> TELFER, JANET L <a href="#">Search</a> TELFER, MICHAEL H <a href="#">Search</a> BURT, LINDA K	<a href="#">Search</a> Lot 2 CROSSVIEW MINOR PLAT [1-2]
<a href="#">200306408</a>	Morgan	04/02/2003	REL : RELEASE	<b>ROBERTS, JAMES T</b> <a href="#">Search</a> <a href="#">Search</a> JACKSON COUNTY BANK <a href="#">Search</a> ROBERTS, CAROL A	
<a href="#">200307020</a>	Morgan	04/10/2003	DEED : WARRANTY DEED	<b>ROBERTS, JAMES C</b> <a href="#">Search</a> <a href="#">Search</a> BLACKARD, MARK J <a href="#">Search</a> BLACKARD, PEGGY W	<a href="#">Search</a> Lot 343 FOXCLIFF ESTATES SEC 11
<a href="#">200307021</a>	Morgan	04/10/2003	MORT : MORTGAGE	<b>ROBERTS, JAMES C</b> <a href="#">Search</a> <a href="#">Search</a> FIRST HORIZON HOME LOAN CORPORATION	<a href="#">Search</a> Lot 343 FOXCLIFF ESTATES SEC 11
<a href="#">200307789</a>	Morgan	04/22/2003	LIEN : SEWER LIEN	<b>DOTY, ROBERT JAMES</b> <a href="#">Search</a> <a href="#">Search</a> MOORESVILLE TOWN OF	<a href="#">Search</a> Lot 145 HIGHLAND MEADOWS 7TH SECTION
<a href="#">200320115</a>	Morgan	09/30/2003	DEED : WARRANTY DEED	<b>ROBERTS, JAMES L</b> <a href="#">Search</a> <a href="#">Search</a> SMITH, CHARLES A <a href="#">Search</a> SMITH, REBECCA	<a href="#">Search</a> 11-12-1W SE
<a href="#">200320116</a>	Morgan	09/30/2003	MORT : MORTGAGE	<b>ROBERTS, JAMES L</b> <a href="#">Search</a> <a href="#">Search</a> HUNTINGTON NATIONAL BANK <a href="#">Search</a> MORTGAGE ELECTRONIC REGISTRATION SYSTEMS INC	<a href="#">Search</a> 11-12-1W SE

Document Details	County	Date	Type	Name	Legal
<a href="#">200320377</a>	Morgan	10/02/2003	DEED : WARRANTY DEED	<b>ROBERTS, JAMES L</b> <a href="#">Search</a>  <a href="#">Search</a> SMITH, CHARLES <a href="#">Search</a> SMITH, CHARLES A <a href="#">Search</a> SMITH, REBECCA L <a href="#">see details for more</a>	<a href="#">Search</a> 11-12-1W SE
<a href="#">200320660</a>	Morgan	10/08/2003	DEED : SHERIFF'S DEED	<b>DOTY, ROBERT JAMES</b> <a href="#">Search</a>  <a href="#">Search</a> LEADER MORTGAGE COMPANY	<a href="#">Search</a> Lot 145 HIGHLAND MEADOWS 7TH SECTION
<a href="#">200321261</a>	Morgan	10/17/2003	REL : RELEASE OF LIEN	<b>DOTY, ROBERT JAMES</b> <a href="#">Search</a>  <a href="#">Search</a> MOORESVILLE TOWN OF	
<a href="#">200321262</a>	Morgan	10/17/2003	REL : RELEASE OF LIEN	<b>DOTY, ROBERT JAMES</b> <a href="#">Search</a>  <a href="#">Search</a> MOORESVILLE TOWN OF	
<a href="#">200322582</a>	Morgan	11/07/2003	LIEN : FEDERAL TAX LIEN	<b>THACKER, JAMES ROBERT</b> <a href="#">Search</a>  <a href="#">Search</a> U S TREASURY	
<a href="#">200324164</a>	Morgan	12/08/2003	DEED : QUIT CLAIM DEED	<b>HEATH, JAMES ROBERT SR</b> <a href="#">Search</a>  <a href="#">Search</a> HEATH, JUNE <a href="#">Search</a> HEATH, MADONNA JUNE	<a href="#">Search</a> 31-11-2E SW
<a href="#">200324165</a>	Morgan	12/08/2003	DEED : QUIT CLAIM DEED	<b>HEATH, JAMES ROBERT SR</b> <a href="#">Search</a>  <a href="#">Search</a> HICKS, NANCY	<a href="#">Search</a> 31-11-2E SW
<a href="#">200406438</a>	Morgan	04/29/2004	DEED : QUIT CLAIM DEED	<b>POUNDERS, ROBERT JAMES</b> <a href="#">Search</a>  <a href="#">Search</a> POUNDERS, ADRIANE C <a href="#">Search</a> POUNDERS, ROBERT J	<a href="#">Search</a> Lot 11 Block 1 HILL CREST ADDN [1-14 BLK 3; 1-16 BLK 4]
<a href="#">200411081</a>	Morgan	07/22/2004	REL : RELEASE OF LIEN	<b>DOTY, ROBERT JAMES</b> <a href="#">Search</a>  <a href="#">Search</a> MOORESVILLE TOWN OF	
<a href="#">200411155</a>	Morgan	07/22/2004	REL : RELEASE OF LIEN	<b>DOTY, ROBERT JAMES</b> <a href="#">Search</a>  <a href="#">Search</a> MOORESVILLE TOWN OF	

Document Details	County	Date	Type	Name	Legal
<a href="#">200412228</a>	Morgan	08/12/2004	REL : RELEASE	<b>POUNDERS, ROBERT JAMES</b> <a href="#">Search</a> <a href="#">Search</a> WASHINGTON MUTUAL BANK	
<a href="#">200412801</a>	Morgan	08/24/2004	REL : RELEASE	<b>DOTY, ROBERT JAMES</b> <a href="#">Search</a> <a href="#">Search</a> INDIANA HOUSING FINANCE AUTHORITY	
<a href="#">200414084</a>	Morgan	09/22/2004	DEED : QUIT CLAIM DEED	<b>YOUNG, JAMES ALBERT</b> <a href="#">Search</a> <a href="#">Search</a> HOVIOUS, GEORGIA L <a href="#">Search</a> MILLER, TERRY D	<a href="#">Search</a> Lot 17 EVANS ALEXANDER ADDN [1-30] <a href="#">Search</a> Lot 18 EVANS ALEXANDER ADDN [1-30]
<a href="#">200414416</a>	Morgan	09/29/2004	DEED : WARRANTY DEED	<b>BURT, JAMES J</b> <a href="#">Search</a> <a href="#">Search</a> BURT, LINDA K <a href="#">Search</a> WARD, JAMES J <a href="#">Search</a> WARD, MARJORIE E	<a href="#">Search</a> 34-12-1E SW
<a href="#">200414530</a>	Morgan	10/01/2004	REL : RELEASE	<b>ROBERTS, JAMES L</b> <a href="#">Search</a> <a href="#">Search</a> HUNTINGTON NATIONAL BANK <a href="#">Search</a> MORTGAGE ELECTRONIC REGISTRATION SYSTEMS INC	
<a href="#">200414867</a>	Morgan	10/08/2004	REL : RELEASE	<b>BURT, JAMES J</b> <a href="#">Search</a> <a href="#">Search</a> HOME BANK SB <a href="#">Search</a> BURT, LINDA K	
<a href="#">200414868</a>	Morgan	10/08/2004	REL : RELEASE	<b>BURT, JAMES J</b> <a href="#">Search</a> <a href="#">Search</a> HOME BANK SB <a href="#">Search</a> BURT, LINDA K	
<a href="#">200417481</a>	Morgan	12/02/2004	MISC : NO LIEN CONTRACT	<b>BURT, JAMES J</b> <a href="#">Search</a> <a href="#">Search</a> BURT, LINDA K <a href="#">Search</a> T K CONSTRUCTORS INC	<a href="#">Search</a> Lot 2 CROSSVIEW MINOR PLAT [1-2]

Document Details	County	Date	Type	Name	Legal
<a href="#">200417482</a>	Morgan	12/02/2004	MORT : MORTGAGE	<b>BURT, JAMES J</b> <a href="#">Search</a>  <a href="#">Search</a> BURT, LINDA K <a href="#">Search</a> HEARTLAND SECURITY MORTGAGE LLC	<a href="#">Search</a> Lot 2 CROSSVIEW MINOR PLAT [1-2]
<a href="#">200417483</a>	Morgan	12/02/2004	ASGN : ASSIGNMENT	<b>BURT, JAMES J</b> <a href="#">Search</a>  <a href="#">Search</a> BURT, LINDA K <a href="#">Search</a> HEARTLAND SECURITY MORTGAGE LLC <a href="#">Search</a> NATIONAL CITY MORTGAGE CO	
<a href="#">200501174</a>	Morgan	01/31/2005	DEED : QUIT CLAIM DEED	<b>ROBERTS, JAMES L</b> <a href="#">Search</a>  <a href="#">Search</a> SMITH, REBECCA LOUISE	<a href="#">Search</a> 11-12-1W SE <a href="#">Search</a> 11-12-1W SE
<a href="#">200504882</a>	Morgan	04/20/2005	DEED : WARRANTY DEED	<b>ASHER, JAMES ROBERT</b> <a href="#">Search</a>  <a href="#">Search</a> NORAGON, JAMIE <a href="#">Search</a> NORAGON, TRAVIS L	<a href="#">Search</a> 36-11-1W SW
<a href="#">200506909</a>	Morgan	05/27/2005	DEED : WARRANTY DEED	<b>JAMESON, ALBERT B</b> <a href="#">Search</a>  <a href="#">Search</a> JAMESON, CORDIA <a href="#">Search</a> RIDDLE, SHERMAN L	<a href="#">Search</a> 25-13-1E SW
<a href="#">200509526</a>	Morgan	07/19/2005	DEED : WARRANTY DEED	<b>FULLER, ALBERT JAMES</b> <a href="#">Search</a>  <a href="#">Search</a> LUNGOCIU, MIRCEA P <a href="#">Search</a> ASIALA, DONALD D <a href="#">Search</a> ASIALA, KATHRYN E <a href="#">see details for more</a>	<a href="#">Search</a> 34-14-1E SE <a href="#">Search</a> 34-14-1E SW
<a href="#">200509527</a>	Morgan	07/19/2005	MORT : MORTGAGE	<b>FULLER, ALBERT JAMES</b> <a href="#">Search</a>  <a href="#">Search</a> ASIALA, DONALD D <a href="#">Search</a> ASIALA, KATHRYN E <a href="#">Search</a> FARRINGTON, DEBRA S <a href="#">see details for more</a>	<a href="#">Search</a> 34-14-1E SE <a href="#">Search</a> 34-14-1E SW
<a href="#">200509796</a>	Morgan	07/25/2005	MORT : MORTGAGE	<b>BURT, JAMES J</b> <a href="#">Search</a>  <a href="#">Search</a> BURT, LINDA K <a href="#">Search</a> HOME BANK SB	<a href="#">Search</a> Lot 2 CROSSVIEW MINOR PLAT [1-2]



Document Details	County	Date	Type	Name	Legal
<a href="#">200513578</a>	Morgan	10/03/2005	MORT : MORTGAGE	<b>BURT, JAMES J</b> <a href="#">Search</a>  <a href="#">Search</a> BURT, LINDA K <a href="#">Search</a> HOME BANK SB	<a href="#">Search</a> Lot 2 CROSSVIEW MINOR PLAT [1-2]
<a href="#">200513579</a>	Morgan	10/03/2005	MORT : MORTGAGE SUBORDINATION	<b>BURT, JAMES J</b> <a href="#">Search</a>  <a href="#">Search</a> BURT, LINDA K <a href="#">Search</a> HOME BANK SB <a href="#">Search</a> HOME BANK SB	<a href="#">Search</a> Lot 2 CROSSVIEW MINOR PLAT [1-2]
<a href="#">200514973</a>	Morgan	10/28/2005	LIEN : FEDERAL TAX LIEN	<b>THACKER, JAMES ROBERT</b> <a href="#">Search</a>  <a href="#">Search</a> U S TREASURY	
<a href="#">200515293</a>	Morgan	11/03/2005	MORT : MORTGAGE	<b>AUTIO, ROBERT JAMES</b> <a href="#">Search</a>  <a href="#">Search</a> FOWLER, KATHLEEN K <a href="#">Search</a> HOUSEHOLD FINANCE CORPORATION III	Non-land
<a href="#">200516726</a>	Morgan	12/07/2005	REL : RELEASE	<b>BURT, JAMES J</b> <a href="#">Search</a>  <a href="#">Search</a> NATIONAL CITY MORTGAGE CO <a href="#">Search</a> BURT, LINDA K	
<a href="#">200600658</a>	Morgan	01/19/2006	MISC : POWER OF ATTORNEY	<b>LAMBERT, RICHARD JAMES</b> <a href="#">Search</a>  <a href="#">Search</a> LAMBERT, BARBARA R <a href="#">Search</a> FULLER, HOLLY M <a href="#">Search</a> LAMBERT, CRAIG R	
<a href="#">200610311</a>	Morgan	08/14/2006	MISC : SURVIVORSHIP AFFIDAVIT	<b>ROSE, JAMES ROBERT</b> <a href="#">Search</a>  <a href="#">Search</a> ROSE, VIRGINIA RUTH	<a href="#">Search</a> Lot 3 WOLFFS JOHN L FIRST SUBD [1- 26]
<a href="#">200612063</a>	Morgan	09/21/2006	REL : RELEASE	<b>FULLER, ALBERT JAMES</b> <a href="#">Search</a>  <a href="#">Search</a> HOME BANK SB <a href="#">Search</a> ASIALA, DONALD D <a href="#">Search</a> ASIALA, KATHRYN E <a href="#">see details for more</a>	

Document Details	County	Date	Type	Name	Legal
<a href="#">200612106</a>	Morgan	09/22/2006	DEED : QUIT CLAIM DEED	<b>FULLER, ALBERT JAMES</b> <a href="#">Search</a>  <a href="#">Search</a> ASIALA, DONALD D <a href="#">Search</a> ASIALA, KATHRYN E <a href="#">Search</a> FULLER, BRENDA L <a href="#">see details for more</a>	<a href="#">Search</a> 34-14-1E SW <a href="#">Search</a> 34-14-1E SE
<a href="#">200612109</a>	Morgan	09/22/2006	DEED : QUIT CLAIM DEED	<b>FULLER, ALBERT JAMES</b> <a href="#">Search</a>  <a href="#">Search</a> FARRINGTON, DEBRA S <a href="#">Search</a> FARRINGTON, THOMAS J <a href="#">Search</a> ASIALA, DONALD D <a href="#">see details for more</a>	<a href="#">Search</a> 34-14-1E SE <a href="#">Search</a> 34-14-1E SW
<a href="#">200612110</a>	Morgan	09/22/2006	MORT : MORTGAGE	<b>FULLER, ALBERT JAMES</b> <a href="#">Search</a>  <a href="#">Search</a> ASIALA, DONALD D <a href="#">Search</a> ASIALA, KATHRYN E <a href="#">Search</a> FULLER, BRENDA L <a href="#">see details for more</a>	<a href="#">Search</a> 34-14-1E SE <a href="#">Search</a> 34-14-1E SW
<a href="#">200613175</a>	Morgan	10/17/2006	DEED : WARRANTY DEED	<b>GILBERT, JAMES P</b> <a href="#">Search</a>  <a href="#">Search</a> CHRISTIE, MORRIS DEAN <a href="#">Search</a> CHRISTIE, VICKIE L <a href="#">Search</a> GILBERT, WENDY N	<a href="#">Search</a> 14-11-2W SW
<a href="#">200613176</a>	Morgan	10/17/2006	MORT : MORTGAGE	<b>GILBERT, JAMES P</b> <a href="#">Search</a>  <a href="#">Search</a> GILBERT, WENDY N <a href="#">Search</a> JPMORGAN CHASE BANK	<a href="#">Search</a> 14-11-2W SW
<a href="#">200704075</a>	Morgan	04/10/2007	REL : RELEASE TAX LIEN	<b>THACKER, JAMES ROBERT</b> <a href="#">Search</a>  <a href="#">Search</a> US TREASURY	
<a href="#">200708835</a>	Morgan	07/25/2007	DEED : WARRANTY DEED	<b>LAMBERT, JAMES N</b> <a href="#">Search</a>  <a href="#">Search</a> KNUTH, LEE ANN <a href="#">Search</a> KNUTH, RANDALL A <a href="#">Search</a> LAMBERT, APRIL M	<a href="#">Search</a> 26-11-1W SW

Document Details	County	Date	Type	Name	Legal
<a href="#">200708836</a>	Morgan	07/25/2007	MORT : MORTGAGE	<b>LAMBERT, JAMES N</b> <a href="#">Search</a>  <a href="#">Search</a> LAMBERT, APRIL M <a href="#">Search</a> FIRST MAGNUS FINANCIAL CORPORATION <a href="#">Search</a> MORTGAGE ELECTRONIC REGISTRATION SYSTEMS INC	<a href="#">Search</a> 26-11-1W SW
<a href="#">200802157</a>	Morgan	02/27/2008	PLAT : SURVEY	<b>FULLER, ALBERT JAMES</b> <a href="#">Search</a>  <a href="#">Search</a> ASIALA, DON <a href="#">Search</a> ASIALA, DONALD D <a href="#">Search</a> ASIALA, KATHRYN E <a href="#">see details for more</a>	<a href="#">Search</a> 34-14-1E SE
<a href="#">200803786</a>	Morgan	04/07/2008	LIEN : FEDERAL TAX LIEN	<b>THACKER, JAMES ROBERT</b> <a href="#">Search</a>  <a href="#">Search</a> U S TREASURY	
<a href="#">200806915</a>	Morgan	06/25/2008	MORT : MORTGAGE	<b>LAMBERT, JAMES N</b> <a href="#">Search</a>  <a href="#">Search</a> LAMBERT, APRIL M <a href="#">Search</a> AMERICAN GENERAL FINANCIAL SERVICES INC	<a href="#">Search</a> 26-11-1W SW
<a href="#">200808155</a>	Morgan	08/01/2008	ASGN : ASSIGNMENT	<b>ROBERTS, JAMES C</b> <a href="#">Search</a>  <a href="#">Search</a> FIRST HORIZON HOME LOANS <a href="#">Search</a> FIRST TENNESSEE BANK NATIONAL ASSOCIATION <a href="#">Search</a> MIDFIRST BANK	
<a href="#">200809278</a>	Morgan	09/03/2008	DEED : WARRANTY DEED	<b>HICKS, JAMES ROBERT</b> <a href="#">Search</a>  <a href="#">Search</a> HAMBLEN, BETH ANN <a href="#">Search</a> HAMBLEN, DARRELL L <a href="#">Search</a> HICKS, JENNIFER M	<a href="#">Search</a> Lot 9 BOLINS SECOND SUBD [5-9]
<a href="#">200810394</a>	Morgan	10/03/2008	DEED : WARRANTY DEED	<b>HICKS, JAMES ROBERT</b> <a href="#">Search</a>  <a href="#">Search</a> HICKS, JENNIFER M <a href="#">Search</a> GOSS, DEWEY E <a href="#">Search</a> GOSS, NICOLE L	<a href="#">Search</a> Lot 9 BOLINS SECOND SUBD [5-9]

Document Details	County	Date	Type	Name	Legal
<a href="#">200811649</a>	Morgan	11/10/2008	LIEN : ASSOCIATION LIEN	<b>ROBERTS, JAMES C</b> <a href="#">Search</a>  <a href="#">Search</a> FOXCLIFF ESTATES NORTH COMMUNITY ASSOCIATION INC	<a href="#">Search</a> Lot 343 FOXCLIFF ESTATES SEC 11
<a href="#">200902580</a>	Morgan	03/13/2009	MORT : MORTGAGE	<b>BURT, JAMES J</b> <a href="#">Search</a>  <a href="#">Search</a> BURT, LINDA K <a href="#">Search</a> HOME BANK SB	<a href="#">Search</a> Lot 2 CROSSVIEW MINOR PLAT [1-2]
<a href="#">200902637</a>	Morgan	03/16/2009	REL : RELEASE	<b>BURT, JAMES J</b> <a href="#">Search</a>  <a href="#">Search</a> HOME BANK SB <a href="#">Search</a> BURT, LINDA K	
<a href="#">200902638</a>	Morgan	03/16/2009	REL : RELEASE	<b>BURT, JAMES J</b> <a href="#">Search</a>  <a href="#">Search</a> HOME BANK SB <a href="#">Search</a> BURT, LINDA K	
<a href="#">200906766</a>	Morgan	06/29/2009	REL : RELEASE	<b>FULLER, ALBERT JAMES</b> <a href="#">Search</a>  <a href="#">Search</a> FIRST MERCHANTS BANK OF CENTRAL INDIANA <a href="#">Search</a> ASIALA, DONALD D <a href="#">Search</a> ASIALA, KATHRYN E <a href="#">see details for more</a>	
<a href="#">200908468</a>	Morgan	08/12/2009	DEED : QUIT CLAIM DEED	<b>FULLER, ALBERT JAMES</b> <a href="#">Search</a>  <a href="#">Search</a> ASIALA, DONALD D <a href="#">Search</a> ASIALA, KATHRYN E <a href="#">Search</a> FULLER, BRENDA L <a href="#">see details for more</a>	<a href="#">Search</a> 34-14-1E SE
<a href="#">200908469</a>	Morgan	08/12/2009	DEED : QUIT CLAIM DEED	<b>FULLER, ALBERT JAMES</b> <a href="#">Search</a>  <a href="#">Search</a> FARRINGTON, DEBRA S <a href="#">Search</a> FARRINGTON, THOMAS J <a href="#">Search</a> ASIALA, DONALD D <a href="#">see details for more</a>	<a href="#">Search</a> 34-14-1E SE

Document Details	County	Date	Type	Name	Legal
<a href="#">200908470</a>	Morgan	08/12/2009	DEED : QUIT CLAIM DEED	<b>FULLER, ALBERT JAMES</b> <a href="#">Search</a> <a href="#">Search</a> ASIALA, DONALD D <a href="#">Search</a> ASIALA, KATHRYN E <a href="#">Search</a> FULLER, ALBERT JAMES <a href="#">see details for more</a>	<a href="#">Search</a> 34-14-1E SE
<a href="#">200908471</a>	Morgan	08/12/2009	DEED : QUIT CLAIM DEED	<b>FULLER, ALBERT JAMES</b> <a href="#">Search</a> <a href="#">Search</a> ASIALA, DONALD D <a href="#">Search</a> ASIALA, KATHRYN E <a href="#">Search</a> FULLER, BRENDA L <a href="#">see details for more</a>	<a href="#">Search</a> 34-14-1E SW
<a href="#">200909497</a>	Morgan	09/10/2009	DEED : SHERIFF'S DEED	<b>ROBERTS, JAMES C</b> <a href="#">Search</a> <a href="#">Search</a> MIDFIRST BANK	<a href="#">Search</a> Lot 343 FOXCLIFF ESTATES SEC 11
<a href="#">200910309</a>	Morgan	10/05/2009	LIEN : FEDERAL TAX LIEN	<b>THACKER, JAMES ROBERT</b> <a href="#">Search</a> <a href="#">Search</a> U S TREASURY	
<a href="#">200910435</a>	Morgan	10/08/2009	LIEN : ASSOCIATION LIEN	<b>ROBERTS, JAMES C</b> <a href="#">Search</a> <a href="#">Search</a> FOXCLIFF ESTATES NORTH COMMUNITY ASSOCIATION INC	<a href="#">Search</a> Lot 343 FOXCLIFF ESTATES SEC 11
<a href="#">200911896</a>	Morgan	11/18/2009	REL : RELEASE OF LIEN	<b>ROBERTS, JAMES C</b> <a href="#">Search</a> <a href="#">Search</a> FOXCLIFF ESTATES COMMUNITY ASSOCIATION INC <a href="#">Search</a> FOXCLIFF ESTATES NORTH COMMUNITY ASSOCIATION INC	<a href="#">Search</a> Lot 343 FOXCLIFF ESTATES SEC 11
<a href="#">200911969</a>	Morgan	11/20/2009	ASGN : ASSIGNMENT	<b>LAMBERT, JAMES N</b> <a href="#">Search</a> <a href="#">Search</a> FIRST MAGNUS FINANCIAL CORPORATION <a href="#">Search</a> LAMBERT, APRIL M <a href="#">Search</a> MORTGAGE ELECTRONIC REGISTRATION SYSTEMS INC <a href="#">see details for more</a>	
<a href="#">200912983</a>	Morgan	12/18/2009	REL : RELEASE TAX LIEN	<b>THACKER, JAMES ROBERT</b> <a href="#">Search</a> <a href="#">Search</a> U S TREASURY	

Document Details	County	Date	Type	Name	Legal
<a href="#">200912990</a>	Morgan	12/18/2009	LIEN : FEDERAL TAX LIEN	<b>THACKER, JAMES ROBERT</b> <a href="#">Search</a> <a href="#">Search</a> U S TREASURY	
<a href="#">201000814</a>	Morgan	01/29/2010	LIEN : FEDERAL TAX LIEN	<b>LAMBERT, JAMIE</b> <a href="#">Search</a> <a href="#">Search</a> U S TREASURY	
<a href="#">201006770</a>	Morgan	08/11/2010	MORT : MORTGAGE	<b>ROBERTS, JAMES M SR</b> <a href="#">Search</a> <a href="#">Search</a> ROBERTS, DANA J <a href="#">Search</a> BANK OF AMERICA NA <a href="#">Search</a> MORTGAGE ELECTRONIC REGISTRATION SYSTEMS INC	<a href="#">Search</a> Lot 7 LAKEWOOD ACRES FIRST [1-14]
<a href="#">201006822</a>	Morgan	08/13/2010	DEED : WARRANTY DEED	<b>COVERT, ROBERT JAMES</b> <a href="#">Search</a> <a href="#">Search</a> CARNAHAN, BRENDA K <a href="#">Search</a> CARNAHAN, JAMES C <a href="#">Search</a> COVERT, LORETTA <a href="#">see details for more</a>	<a href="#">Search</a> 29-12-1E NE <a href="#">Search</a> 20-12-1E SE
<a href="#">201006823</a>	Morgan	08/13/2010	MORT : MORTGAGE	<b>COVERT, ROBERT JAMES</b> <a href="#">Search</a> <a href="#">Search</a> COVERT, LORETTA <a href="#">Search</a> NIX, IRVIN K <a href="#">Search</a> NIX, RAVEN <a href="#">see details for more</a>	<a href="#">Search</a> 29-12-1E NE <a href="#">Search</a> 20-12-1E SE
<a href="#">201007599</a>	Morgan	09/01/2010	EASEMENT : EASEMENT	<b>COVERT, ROBERT JAMES</b> <a href="#">Search</a> <a href="#">Search</a> COVERT, LORETTA <a href="#">Search</a> COVERT, ROBERT J <a href="#">Search</a> NIX, IRVIN K <a href="#">see details for more</a>	<a href="#">Search</a> 29-12-1E NE <a href="#">Search</a> 20-12-1E SE
<a href="#">201008241</a>	Morgan	09/21/2010	MISC : MANUFACTURED HOME AFFIDAVIT	<b>CLARK, JAMES HUBERT</b> <a href="#">Search</a> <a href="#">Search</a> BUREAU OF MOTOR VEHICLES <a href="#">Search</a> INDIANA BUREAU OF MOTOR VEHICLES <a href="#">Search</a> CLARK, JAMES H	<a href="#">Search</a> 2-13-1W NE <a href="#">Search</a> 36-13-1W SW
<a href="#">201010078</a>	Morgan	11/05/2010	DEED : WARRANTY DEED	<b>ASHER, JAMES ROBERT</b> <a href="#">Search</a> <a href="#">Search</a> CRONE, HARMON	<a href="#">Search</a> 16-11-1W <a href="#">Search</a> 21-11-1W NE <a href="#">Search</a> 21-11-1W NW

Document Details	County	Date	Type	Name	Legal
<a href="#">201010744</a>	Morgan	11/23/2010	REL : RELEASE	<b>ROBERTS, JAMES M SR</b> <a href="#">Search</a> <a href="#">Search</a> MORTGAGE ELECTRONIC REGISTRATION SYSTEMS INC <a href="#">Search</a> ROBERTS, DANA J	
<a href="#">201011829</a>	Morgan	12/20/2010	REL : RELEASE	<b>ROBERTS, JAMES M SR</b> <a href="#">Search</a> <a href="#">Search</a> MORTGAGE ELECTRONIC REGISTRATION SYSTEMS INC <a href="#">Search</a> ROBERTS, DANA J	
<a href="#">201012380</a>	Morgan	12/28/2010	PLAT : SURVEY	<b>ASHER, JAMES ROBERT</b> <a href="#">Search</a> <a href="#">Search</a> LARRISON, JOHN J	<a href="#">Search</a> 28-11-1W NE
<a href="#">201012381</a>	Morgan	12/28/2010	PLAT : SURVEY	<b>ASHER, JAMES ROBERT</b> <a href="#">Search</a> <a href="#">Search</a> ASHER, JAMES <a href="#">Search</a> BRIGHT, J <a href="#">Search</a> BRIGHT, JEREMY J <a href="#">see details for more</a>	<a href="#">Search</a> 28-11-1W NW <a href="#">Search</a> 28-11-1W NE <a href="#">Search</a> 28-11-1W NE <a href="#">Search</a> 28-11-1W NE <a href="#">see details for more</a>
<a href="#">201012388</a>	Morgan	12/28/2010	DEED : WARRANTY DEED	<b>ASHER, JAMES ROBERT</b> <a href="#">Search</a> <a href="#">Search</a> BLACKMAN, LISA A	<a href="#">Search</a> 28-11-1W NW
<a href="#">201012389</a>	Morgan	12/28/2010	DEED : WARRANTY DEED	<b>ASHER, JAMES ROBERT</b> <a href="#">Search</a> <a href="#">Search</a> BLACKMAN, LISA A	<a href="#">Search</a> 28-11-1W NE
<a href="#">201100242</a>	Morgan	01/06/2011	DEED : WARRANTY DEED	<b>ASHER, JAMES ROBERT</b> <a href="#">Search</a> <a href="#">Search</a> BRIGHT, JEREMY J <a href="#">Search</a> BRIGHT, LORIE R	<a href="#">Search</a> 28-11-1W NE
<a href="#">201103441</a>	Morgan	04/19/2011	REL : RELEASE	<b>ROBERTS, JAMES M</b> <a href="#">Search</a> <a href="#">Search</a> JPMORGAN CHASE BANK <a href="#">Search</a> ROBERTS, DANA J	

Document Details	County	Date	Type	Name	Legal
<a href="#">201108447</a>	Morgan	09/26/2011	DEED : SHERIFF'S DEED	<b>WESSELER, JAMES ROBERT JR</b> <a href="#">Search</a> <a href="#">Search</a> WESSELER, DAWN M <a href="#">Search</a> WESSELER, DAWN MICHELLE <a href="#">Search</a> WESSELER, JAMES R JR <a href="#">see details for more</a>	<a href="#">Search</a> 35-13-1W SW SW
<a href="#">201200401</a>	Morgan	01/05/2012	MORT : MORTGAGE	<b>BURT, JAMES J</b> <a href="#">Search</a> <a href="#">Search</a> BURT, LINDA K <a href="#">Search</a> HOME BANK SB	<a href="#">Search</a> Lot 2 CROSSVIEW MINOR PLAT [1-2]
<a href="#">201200415</a>	Morgan	01/05/2012	REL : RELEASE	<b>BURT, JAMES J</b> <a href="#">Search</a> <a href="#">Search</a> HOME BANK SB <a href="#">Search</a> BURT, LINDA K	
<a href="#">201201284</a>	Morgan	01/31/2012	ASGN : ASSIGNMENT	<b>ROBERTS, JAMES C II</b> <a href="#">Search</a> <a href="#">Search</a> CITIMORTGAGE INC <a href="#">Search</a> ROBERTS, ANNETTE M <a href="#">Search</a> MIDFIRST BANK	
<a href="#">201205104</a>	Morgan	05/18/2012	DEED : SHERIFF'S DEED	<b>LAMBERT, JAMES N</b> <a href="#">Search</a> <a href="#">Search</a> LAMBERT, APRIL M <a href="#">Search</a> BAC HOME LOANS SERVICING LP	<a href="#">Search</a> 26-11-1W SE SW
<a href="#">201205219</a>	Morgan	05/22/2012	DEED : QUIT CLAIM DEED	<b>COVERT, ROBERT JAMES</b> <a href="#">Search</a> <a href="#">Search</a> COVERT, LORETTA <a href="#">Search</a> COVERT, LORETTA L <a href="#">Search</a> NIX, IRVIN K <a href="#">see details for more</a>	<a href="#">Search</a> 29-12-1E NE <a href="#">Search</a> 20-12-1E SE
<a href="#">201205220</a>	Morgan	05/22/2012	MORT : MORTGAGE	<b>COVERT, ROBERT JAMES</b> <a href="#">Search</a> <a href="#">Search</a> COVERT, ROBERT J <a href="#">Search</a> NIX, IRVIN K <a href="#">Search</a> NIX, RAVEN <a href="#">see details for more</a>	<a href="#">Search</a> 29-12-1E NE <a href="#">Search</a> 20-12-1E SE



Document Details	County	Date	Type	Name	Legal
<a href="#">201205291</a>	Morgan	05/24/2012	REL : RELEASE	<b>COVERT, ROBERT JAMES</b> <a href="#">Search</a> <a href="#">Search</a> ALLY BANK CORP <a href="#">Search</a> MORTGAGE ELECTRONIC REGISTRATION SYSTEMS INC <a href="#">Search</a> COVERT, LORETTA <a href="#">see details for more</a>	
<a href="#">201206713</a>	Morgan	06/28/2012	REL : RELEASE	<b>GILBERT, JAMES P</b> <a href="#">Search</a> <a href="#">Search</a> JPMORGAN CHASE BANK <a href="#">Search</a> GILBERT, WENDY N	
<a href="#">201206870</a>	Morgan	07/02/2012	MORT : MORTGAGE	<b>GILBERT, JAMES P</b> <a href="#">Search</a> <a href="#">Search</a> GILBERT, WENDY N <a href="#">Search</a> JPMORGAN CHASE BANK	<a href="#">Search</a> 14-11-2W W SW
<a href="#">201213719</a>	Morgan	12/11/2012	DEED : WARRANTY DEED	<b>GILBERT, JAMES PAUL SR</b> <a href="#">Search</a> <a href="#">Search</a> BURNETT HARRY I CREDIT TRUST <a href="#">Search</a> BURNETT, FRANCES E <a href="#">Search</a> BURNETT, HARRY I	<a href="#">Search</a> Lot 3 BLANKENSHIP DELILAH ADDN [1-19]
<a href="#">201301927</a>	Morgan	02/12/2013	REL : RELEASE TAX LIEN	<b>THACKER, JAMES ROBERT</b> <a href="#">Search</a> <a href="#">Search</a> U S TREASURY	
<a href="#">201302128</a>	Morgan	02/15/2013	DEED : WARRANTY DEED	<b>GILBERT, JAMES PAUL SR</b> <a href="#">Search</a> <a href="#">Search</a> PARAGON BIBLE BAPTIST CHURCH	<a href="#">Search</a> Lot 3 BLANKENSHIP DELILAH ADDN [1-19]
<a href="#">201302120</a>	Morgan	02/15/2013	REL : RELEASE TAX LIEN	<b>LAMBERT, JAMIE</b> <a href="#">Search</a> <a href="#">Search</a> U S TREASURY	
<a href="#">201303348</a>	Morgan	03/19/2013	DEED : QUIT CLAIM DEED	<b>GILBERT, JAMES PAUL SR</b> <a href="#">Search</a> <a href="#">Search</a> S & C FINANCIAL GROUP	<a href="#">Search</a> 18-11-1W W NE
<a href="#">201311876</a>	Morgan	10/17/2013	DEED : QUIT CLAIM DEED	<b>GILBERT, JAMES PAUL SR</b> <a href="#">Search</a> <a href="#">Search</a> PARAGON BIBLE BAPTIST CHURCH	<a href="#">Search</a> 18-11-1W W NE

Document Details	County	Date	Type	Name	Legal
<a href="#">201312283</a>	Morgan	10/29/2013	DEED : QUIT CLAIM DEED	<b>GILBERT, JAMES</b> <a href="#">Search</a>  <a href="#">Search</a> YORK, JAMIE LYNNE	<a href="#">Search</a> 17-12-1E SW NW
<a href="#">201313609</a>	Morgan	12/12/2013	MISC : FIRM AND PARTNERSHIP	<b>ROBERTS, JAMES C</b> <a href="#">Search</a>  <a href="#">Search</a> ROBERTS, CYNTHIA M <a href="#">Search</a> CBR HOLDINGS LLC <a href="#">Search</a> CMR CONTRACTORS & SUPPLY	
<a href="#">201401717</a>	Morgan	02/24/2014	MISC : CONTRACT	<b>GILBERT, JAMES</b> <a href="#">Search</a>  <a href="#">Search</a> PIKE LUMBER COMPANY INC	<a href="#">Search</a> 17-12-1E SW NW
<a href="#">201403929</a>	Morgan	05/05/2014	DEED : QUIT CLAIM DEED	<b>COX, JAMES ROBERT</b> <a href="#">Search</a>  <a href="#">Search</a> COX, CAROLYN SUE <a href="#">Search</a> AYLES, TERESA LOUISE <a href="#">Search</a> COX, CHRISTOPHER LEE	<a href="#">Search</a> Lot 18 MORNINGSIDE ACRES SUBD [1-27]
<a href="#">201404227</a>	Morgan	05/16/2014	DEED : WARRANTY DEED	<b>LAMBERT, JAMIE</b> <a href="#">Search</a>  <a href="#">Search</a> BENNETT, CAROL <a href="#">Search</a> LAMBERT, DENNIS	<a href="#">Search</a> 14-12-1E E SE <a href="#">Search</a> 14-12-1E E SE <a href="#">Search</a> 14-12-1E E SE <a href="#">Search</a> 14-12-1E E SE <a href="#">see details for more</a>
<a href="#">201404228</a>	Morgan	05/16/2014	MORT : MORTGAGE	<b>LAMBERT, JAMIE</b> <a href="#">Search</a>  <a href="#">Search</a> LAMBERT, DENNIS <a href="#">Search</a> HUNTINGTON NATIONAL BANK <a href="#">Search</a> MORTGAGE ELECTRONIC REGISTRATION SYSTEMS INC	<a href="#">Search</a> 14-12-1E E SE <a href="#">Search</a> 14-12-1E E SE <a href="#">Search</a> 14-12-1E E SE <a href="#">Search</a> 14-12-1E E SE <a href="#">see details for more</a>
<a href="#">201404406</a>	Morgan	05/21/2014	DEED : SPECIAL WARRANTY DEED	<b>GILBERT, JAMES P</b> <a href="#">Search</a>  <a href="#">Search</a> PEOPLES STATE BANK <a href="#">Search</a> GILBERT, WENDY N	<a href="#">Search</a> Lot 7 Block 5 PARAGON ORIGINAL PLAT <a href="#">Search</a> Lot 8 Block 5 PARAGON ORIGINAL PLAT

Document Details	County	Date	Type	Name	Legal
<a href="#">201404408</a>	Morgan	05/21/2014	MISC : FIRM AND PARTNERSHIP	<b>GILBERT, JAMES P SR</b> <a href="#">Search</a> <a href="#">Search</a> GILBERT, WENDY N <a href="#">Search</a> COUNTRY STORE LLC	
<a href="#">201407359</a>	Morgan	08/06/2014	MISC : ORDINANCE	<b>GILBERT, JAMES</b> <a href="#">Search</a> <a href="#">Search</a> MORGAN COUNTY PLAN COMMISSION <a href="#">Search</a> ORDINANCE NO 7-3-10-42 <a href="#">Search</a> PLAN COMMISSION OF MORGAN COUNTY <a href="#">see details for more</a>	<a href="#">Search</a> Lot 8 Block 5 PARAGON ORIGINAL PLAT <a href="#">Search</a> Lot 7 Block 5 PARAGON ORIGINAL PLAT
<a href="#">201410272</a>	Morgan	10/28/2014	DEED : QUIT CLAIM DEED	<b>ASHER, JAMES ROBERT</b> <a href="#">Search</a> <a href="#">Search</a> ASHER, JAMES ROBERT <a href="#">Search</a> ASHER, PAMELA RENEE	<a href="#">Search</a> 36-11-1W SE SW
<a href="#">201411349</a>	Morgan	11/24/2014	REL : MISCELLANEOUS RELEASE	<b>GILBERT, JAMES</b> <a href="#">Search</a> <a href="#">Search</a> PIKE LUMBER COMPANY	
<a href="#">201503717</a>	Morgan	04/14/2015	DEED : SHERIFF'S DEED	<b>DAVIS, ROBERT JAMES</b> <a href="#">Search</a> <a href="#">Search</a> DAVIS, ROBERT J <a href="#">Search</a> DAVIS, RONNA L <a href="#">Search</a> DAVIS, RONNA LYN <a href="#">see details for more</a>	<a href="#">Search</a> Lot 272 COMMONS AT HEARTLAND CROSSING SEC 2
<a href="#">201509659</a>	Morgan	09/10/2015	EASEMENT : EASEMENT	<b>GILBERT, JAMES</b> <a href="#">Search</a> <a href="#">Search</a> MORGAN COUNTY RURAL WATER CORPORATION	<a href="#">Search</a> 17-12-1E SW NW
<a href="#">201510666</a>	Morgan	10/02/2015	LIEN : SEWER LIEN	<b>ROBERTS, JAMES C II</b> <a href="#">Search</a> <a href="#">Search</a> ROBERTS, ANNETTE M <a href="#">Search</a> TRI COUNTY CONSERVANCY DISTRICT	<a href="#">Search</a> Lot 29 MISSION HEARTLAND CROSSING 2 [15-45]
<a href="#">201512123</a>	Morgan	11/10/2015	REL : RELEASE	<b>JONES, JAMES ROBERT</b> <a href="#">Search</a> <a href="#">Search</a> FIFTH THIRD BANK <a href="#">Search</a> JONES, SUE E	

Document Details	County	Date	Type	Name	Legal
<a href="#">201513106</a>	Morgan	12/10/2015	ASGN : ASSIGNMENT	<b>AUTIO, ROBERT JAMES</b> <a href="#">Search</a> <a href="#">Search</a> FOWLER, KATHLEEN K <a href="#">Search</a> HOUSEHOLD FINANCE CORPORATION III <a href="#">Search</a> SPRINGCASTLE CREDIT FUNDING TRUST <a href="#">see details for more</a>	
<a href="#">201602140</a>	Morgan	03/01/2016	DEED : PERSONAL REPRESENTATIVE DEED	<b>HULSE, JAMES ALBERT</b> <a href="#">Search</a> <a href="#">Search</a> HULSE, JODITH D	<a href="#">Search</a> Lot 1 HULSE SUBD [1-2]
<a href="#">201605909</a>	Morgan	06/17/2016	REL : RELEASE OF LIEN	<b>ROBERTS, JAMES C II</b> <a href="#">Search</a> <a href="#">Search</a> TRI COUNTY CONSERVANCY DISTRICT <a href="#">Search</a> ROBERTS, ANNETTE M	
<a href="#">201606824</a>	Morgan	07/07/2016	DEED : WARRANTY DEED	<b>ABBOTT, JAMES ALBERT</b> <a href="#">Search</a> <a href="#">Search</a> BLACKLIDGE, DANNY J <a href="#">Search</a> BLACKLIDGE, KATHLEEN M <a href="#">Search</a> ABBOTT, BRENDA <a href="#">see details for more</a>	<a href="#">Search</a> Lot 39A VILLAS HEARTLAND CROSSING 2 [26-53]
<a href="#">201606825</a>	Morgan	07/07/2016	MORT : MORTGAGE	<b>ABBOTT, JAMES ALBERT</b> <a href="#">Search</a> <a href="#">Search</a> ABBOTT, BRENDA K <a href="#">Search</a> BAILEY & WOOD FINANCIAL GROUP <a href="#">Search</a> MORTGAGE ELECTRONIC REGISTRATION SYSTEMS INC	<a href="#">Search</a> Lot 2 COLLETT ACRES SECTION 1 [1-50]
<a href="#">201607227</a>	Morgan	07/19/2016	REL : RELEASE	<b>AUTIO, ROBERT JAMES</b> <a href="#">Search</a> <a href="#">Search</a> SPRINGCASTLE CREDIT FUNDING TRUST <a href="#">Search</a> WILMINGTON TRUST NATIONAL ASSOCIATION <a href="#">Search</a> FOWLER, KATHLEEN K	

Document Details	County	Date	Type	Name	Legal
<a href="#">201607502</a>	Morgan	07/26/2016	MORT : MORTGAGE	<b>ROBERTS, JAMES C II</b> <a href="#">Search</a> <a href="#">Search</a> ROBERTS, ANNETTE M <a href="#">Search</a> LOANDEPOT.COM <a href="#">Search</a> MORTGAGE ELECTRONIC REGISTRATION SYSTEMS INC	<a href="#">Search</a> Lot 29 MISSION HEARTLAND CROSSING 2 [15-45]
<a href="#">201607689</a>	Morgan	08/01/2016	REL : RELEASE	<b>ROBERTS, JAMES C II</b> <a href="#">Search</a> <a href="#">Search</a> MIDFIRST BANK <a href="#">Search</a> ROBERTS, ANNETTE M	
<a href="#">201608954</a>	Morgan	08/31/2016	MORT : MORTGAGE	<b>ABBOTT, JAMES ALBERT</b> <a href="#">Search</a> <a href="#">Search</a> ABBOTT, BRENDA K <a href="#">Search</a> BAILEY & WOOD FINANCIAL GROUP <a href="#">Search</a> MORTGAGE ELECTRONIC REGISTRATION SYSTEMS INC	<a href="#">Search</a> Lot 39A VILLAS HEARTLAND CROSSING 2 [26-53]
<a href="#">201611844</a>	Morgan	11/17/2016	MORT : MORTGAGE	<b>LAMBERT, JAMIE</b> <a href="#">Search</a> <a href="#">Search</a> LAMBERT, DENNIS <a href="#">Search</a> NAVY FEDERAL CREDIT UNION	<a href="#">Search</a> 14-12-1E E SE <a href="#">Search</a> 14-12-1E E SE <a href="#">Search</a> 14-12-1E E SE <a href="#">Search</a> 14-12-1E E SE <a href="#">see details for more</a>
<a href="#">201612118</a>	Morgan	11/28/2016	REL : RELEASE	<b>LAMBERT, JAMIE</b> <a href="#">Search</a> <a href="#">Search</a> HUNTINGTON NATIONAL BANK <a href="#">Search</a> MORTGAGE ELECTRONIC REGISTRATION SYSTEMS INC <a href="#">Search</a> LAMBERT, DENNIS	
<a href="#">201700932</a>	Morgan	01/17/2017	DEED : QUIT CLAIM DEED	<b>JONES JAMES ROBERT IRREVOCABLE LIVING TRUST DTD 12-16-2016</b> <a href="#">Search</a> <a href="#">Search</a> JONES, JAMES ROBERT <a href="#">Search</a> JONES, SUE E <a href="#">Search</a> JONES SUE IRREVOCABLE LIVING TRUST DTD 12-16-2016 <a href="#">see details for more</a>	<a href="#">Search</a> 4-12-2E NE SE

Document Details	County	Date	Type	Name	Legal
<a href="#">201700933</a>	Morgan	01/17/2017	DEED : QUIT CLAIM DEED	<b>JONES JAMES ROBERT IRREVOCABLE LIVING TRUST DTD 12-16-2016</b> <a href="#">Search</a> <a href="#">Search</a> JONES, JAMES R <a href="#">Search</a> JONES, SUE E <a href="#">Search</a> JONES SUE IRREVOCABLE LIVING TRUST DTD 12-16-2016 <a href="#">see details for more</a>	<a href="#">Search</a> 4-12-2E SE SE
<a href="#">201700934</a>	Morgan	01/17/2017	DEED : QUIT CLAIM DEED	<b>JONES JAMES ROBERT IRREVOCABLE LIVING TRUST DTD 12-16-2016</b> <a href="#">Search</a> <a href="#">Search</a> JONES, JAMES R <a href="#">Search</a> JONES, SUE E <a href="#">Search</a> JONES SUE IRREVOCABLE LIVING TRUST DTD 12-16-2016 <a href="#">see details for more</a>	<a href="#">Search</a> 4-12-2E NE SE <a href="#">Search</a> 4-12-2E NW SE
<a href="#">201700931</a>	Morgan	01/17/2017	DEED : QUIT CLAIM DEED	<b>JONES JAMES ROBERT IRREVOCABLE LIVING TRUST DTD 12-16-2016</b> <a href="#">Search</a> <a href="#">Search</a> JONES, JAMES R <a href="#">Search</a> JONES, SUE E <a href="#">Search</a> JONES SUE IRREVOCABLE LIVING TRUST DTD 12-16-2016 <a href="#">see details for more</a>	<a href="#">Search</a> 4-12-2E NE SE
<a href="#">201704062</a>	Morgan	04/18/2017	DEED : QUIT CLAIM DEED	<b>COX, JAMES ROBERT</b> <a href="#">Search</a> <a href="#">Search</a> COX, CAROLYN S <a href="#">Search</a> COX, CAROLYN SUE <a href="#">Search</a> AYLES, TERESA LOUISE <a href="#">see details for more</a>	<a href="#">Search</a> Lot 18 MORNINGSIDE ACRES SUBD [1-27]
<a href="#">20170045</a>	Morgan	06/19/2017	UCC : A9-FIXTURE FILING OR NON-UCC	<b>MCNUTT, JAMES ROBERT</b> <a href="#">Search</a> <a href="#">Search</a> J & P EXPRESS LAUNDRIES LLC <a href="#">Search</a> MCNUTT, PATTIE A <a href="#">Search</a> CENTREBANK	<a href="#">Search</a> Lot 2 MOORESVILLE TOWN CENTER 4 REVISED [1-3]
<a href="#">201802325</a>	Morgan	03/07/2018	DEED : WARRANTY DEED	<b>ROBERTS, JAMES T</b> <a href="#">Search</a> <a href="#">Search</a> ROBERTS, CAROL A <a href="#">Search</a> FICEK, SHAWN M	<a href="#">Search</a> Lot 2 CARTERS ADDN (MORGANTOWN) [1-25]

Document Details	County	Date	Type	Name	Legal
<a href="#">201802472</a>	Morgan	03/12/2018	DEED : PERSONAL REPRESENTATIVE DEED	<b>MYNATT, JAMES ROBERT</b> <a href="#">Search</a>  <a href="#">Search</a> MYNATT, TERESA ALLENE <a href="#">Search</a> MYNATT, ROBERT LEE <a href="#">Search</a> SACHS, JESSICA N	<a href="#">Search</a> 25-14-1E S SW NW
<a href="#">201802473</a>	Morgan	03/12/2018	DEED : QUIT CLAIM DEED	<b>MYNATT, JAMES ROBERT</b> <a href="#">Search</a>  <a href="#">Search</a> MYNATT, ROBERT LEE	<a href="#">Search</a> 25-14-1E S SW NW
<a href="#">201802474</a>	Morgan	03/12/2018	DEED : QUIT CLAIM DEED	<b>MYNATT, JAMES ROBERT</b> <a href="#">Search</a>  <a href="#">Search</a> SACHS, JESSICA N	<a href="#">Search</a> 25-14-1E S SW NW
<a href="#">201802945</a>	Morgan	03/27/2018	MISC : AGREEMENT	<b>GILBERT, JAMES P</b> <a href="#">Search</a>  <a href="#">Search</a> GILBERT, WENDY N <a href="#">Search</a> WEST, KELLY <a href="#">Search</a> WEST, SHARON	<a href="#">Search</a> Lot 8 Block 5 PARAGON ORIGINAL PLAT <a href="#">Search</a> Lot 7 Block 5 PARAGON ORIGINAL PLAT
<a href="#">201803023</a>	Morgan	03/28/2018	MISC : CONTRACT	<b>GILBERT, JAMES P</b> <a href="#">Search</a>  <a href="#">Search</a> GILBERT, WENDY N <a href="#">Search</a> WEST, KELLY	<a href="#">Search</a> Lot 7 Block 5 PARAGON ORIGINAL PLAT <a href="#">Search</a> Lot 8 Block 5 PARAGON ORIGINAL PLAT
<a href="#">201803762</a>	Morgan	04/19/2018	REL : RELEASE	<b>ROBERTS, JAMES T</b> <a href="#">Search</a>  <a href="#">Search</a> BANK OF AMERICA NA <a href="#">Search</a> ROBERTS, CAROL A	
<a href="#">201803859</a>	Morgan	04/23/2018	REL : RELEASE TAX LIEN	<b>THACKER, JAMES ROBERT</b> <a href="#">Search</a>  <a href="#">Search</a> U S TREASURY	
<a href="#">201804799</a>	Morgan	05/14/2018	DEED : QUIT CLAIM DEED	<b>WILSON JAMES ALBERT REVOCABLE LIVING TRUST DTD 05-10-2018</b> <a href="#">Search</a>  <a href="#">Search</a> WILSON, JAMES <a href="#">Search</a> WILSON, LORETTA <a href="#">Search</a> WILSON LORETTA REVOCABLE LIVING TRUST DTD 05-10-2018 <a href="#">see details for more</a>	<a href="#">Search</a> 27-14-2E SE SE

Document Details	County	Date	Type	Name	Legal
<a href="#">201807638</a>	Morgan	07/19/2018	MORT : MORTGAGE	<b>ROBERTS, JAMES C II</b> <a href="#">Search</a> <a href="#">Search</a> ROBERTS, ANNETTE M <a href="#">Search</a> LOANDEPOT.COM <a href="#">Search</a> MORTGAGE ELECTRONIC REGISTRATION SYSTEMS INC	<a href="#">Search</a> Lot 29 MISSION HEARTLAND CROSSING 2 [15-45]
<a href="#">201807836</a>	Morgan	07/25/2018	REL : RELEASE	<b>ROBERTS, JAMES C II</b> <a href="#">Search</a> <a href="#">Search</a> LOANDEPOT.COM LLC <a href="#">Search</a> MORTGAGE ELECTRONIC REGISTRATION SYSTEMS INC <a href="#">Search</a> ROBERTS, ANNETTE M	
<a href="#">201812459</a>	Morgan	11/29/2018	MISC : SURVIVORSHIP AFFIDAVIT	<b>BAUER, JAMES ROBERT</b> <a href="#">Search</a> <a href="#">Search</a> BAUER, SANDRA J <a href="#">Search</a> BAUER, MARK ANDREW <a href="#">Search</a> BAUER, MICHAEL ALLEN	<a href="#">Search</a> 35-13-1W W NE SW
<a href="#">201812460</a>	Morgan	11/29/2018	DEED : WARRANTY DEED	<b>BAUER, JAMES ROBERT</b> <a href="#">Search</a> <a href="#">Search</a> BAUER, MARK ANDREW <a href="#">Search</a> BAUER, MICHAEL ALLEN <a href="#">Search</a> BINHACK, JAMIE J <a href="#">see details for more</a>	<a href="#">Search</a> 35-13-1W
<a href="#">201812461</a>	Morgan	11/29/2018	MISC : SURVIVORSHIP AFFIDAVIT	<b>BAUER, JAMES ROBERT</b> <a href="#">Search</a> <a href="#">Search</a> BAUER, SANDRA J <a href="#">Search</a> BAUER, MARK ANDREW <a href="#">Search</a> BAUER, MICHAEL ALLEN	<a href="#">Search</a> 35-13-1W W NE SW <a href="#">Search</a> 35-13-1W NW SW
<a href="#">201812462</a>	Morgan	11/29/2018	DEED : WARRANTY DEED	<b>BAUER, JAMES ROBERT</b> <a href="#">Search</a> <a href="#">Search</a> BAUER, MARK ANDREW <a href="#">Search</a> BAUER, MICHAEL ALLEN <a href="#">Search</a> BINHACK, JAMIE J <a href="#">see details for more</a>	<a href="#">Search</a> 35-13-1W W NE SW <a href="#">Search</a> 35-13-1W NW SW



Document Details	County	Date	Type	Name	Legal
<a href="#">201905962</a>	Morgan	06/17/2019	DEED : QUIT CLAIM DEED	<b>THACKER, JAMES ROBERT</b> <a href="#">Search</a>  <a href="#">Search</a> BRATCHER, MARTHA ANN <a href="#">Search</a> GIBSON, SELINA <a href="#">Search</a> GODWIN, TAMERA LYNN <a href="#">see details for more</a>	<a href="#">Search</a> 4-11-1E W NW
<a href="#">201908305</a>	Morgan	08/13/2019	MISC : AFFIDAVIT	<b>ROBERTS, JAMES T</b> <a href="#">Search</a>  <a href="#">Search</a> ROBERTS, CAROL A <a href="#">Search</a> MORGANTOWN TOWN OF <a href="#">Search</a> TOWN OF MORGANTOWN	<a href="#">Search</a> Lot 16 Block 1 HILL CREST ADDN [1-14 BLK 3; 1-16 BLK 4]
<a href="#">201912623</a>	Morgan	11/18/2019	MISC : FIRM AND PARTNERSHIP	<b>GILBERT, JAMES P</b> <a href="#">Search</a>  <a href="#">Search</a> OLIVER, JEREMY R <a href="#">Search</a> GO HANDYMAN SERVICES	
<a href="#">201912974</a>	Morgan	11/25/2019	REL : MISCELLANEOUS RELEASE	<b>ROBERTS, JAMES T</b> <a href="#">Search</a>  <a href="#">Search</a> MORGANTOWN TOWN OF <a href="#">Search</a> ROBERTS, CAROL A	
<a href="#">201914251</a>	Morgan	12/23/2019	DEED : WARRANTY DEED	<b>ROBERTS, JAMES T</b> <a href="#">Search</a>  <a href="#">Search</a> ROBERTS, CAROL A <a href="#">Search</a> HABITAT FOR HUMANITY OF MORGAN COUNTY INC	<a href="#">Search</a> Lot 16 Block 1 HILL CREST ADDN [1-14 BLK 3; 1-16 BLK 4]
<a href="#">202000576</a>	Morgan	01/21/2020	REL : RELEASE	<b>BURT, JAMES J</b> <a href="#">Search</a>  <a href="#">Search</a> HOME BANK SB <a href="#">Search</a> BURT, LINDA K	
<a href="#">202001266</a>	Morgan	02/04/2020	MISC : SURVIVORSHIP AFFIDAVIT	<b>FULLER, ALBERT JAMES</b> <a href="#">Search</a>  <a href="#">Search</a> FULLER, BRENDA L	<a href="#">Search</a> 34-14-1E SE
<a href="#">202001268</a>	Morgan	02/04/2020	EASEMENT : EASEMENT	<b>FULLER, ALBERT JAMES</b> <a href="#">Search</a>  <a href="#">Search</a> ASIALA, DONALD D <a href="#">Search</a> ASIALA, DONALD D <a href="#">Search</a> ASIALA, KATHRYN A <a href="#">see details for more</a>	<a href="#">Search</a> 34-14-1E SW <a href="#">Search</a> 34-14-1E SW <a href="#">Search</a> 34-14-1E SW

Document Details	County	Date	Type	Name	Legal
<a href="#">202010644</a>	Morgan	09/16/2020	DEED : QUIT CLAIM DEED	<b>WARD, JAMES ALBERT III</b> <a href="#">Search</a> <a href="#">Search</a> WARD, JAMES A III	<a href="#">Search</a> Lot 13 KARRINGTON ESTATES SECTION 1 [1-50]
<a href="#">202010645</a>	Morgan	09/16/2020	MORT : MORTGAGE	<b>WARD, JAMES ALBERT III</b> <a href="#">Search</a> <a href="#">Search</a> HOME BANK SB	<a href="#">Search</a> Lot 13 KARRINGTON ESTATES SECTION 1 [1-50]
<a href="#">202012767</a>	Morgan	10/28/2020	DEED : WARRANTY DEED	<b>FULLER, ALBERT JAMES</b> <a href="#">Search</a> <a href="#">Search</a> FARRINGTON, DEBRA S <a href="#">Search</a> FARRINGTON, THOMAS J	<a href="#">Search</a> 34-14-1E SE
<a href="#">202101914</a>	Morgan	02/10/2021	MORT : MORTGAGE	<b>ABBOTT, JAMES ALBERT</b> <a href="#">Search</a> <a href="#">Search</a> ABBOTT, BRENDA K <a href="#">Search</a> BAILEY & WOOD FINANCIAL GROUP <a href="#">Search</a> MORTGAGE ELECTRONIC REGISTRATION SYSTEMS INC	<a href="#">Search</a> Lot 39A VILLAS HEARTLAND CROSSING 2 [26-53]
<a href="#">202108272</a>	Morgan	06/09/2021	DEED : WARRANTY DEED	<b>KARWOSKI, ROBERT JAMES</b> <a href="#">Search</a> <a href="#">Search</a> PARRISH, JASON <a href="#">Search</a> KARWOSKI, JEFFREY <a href="#">Search</a> KARWOSKI, LINDSAY	<a href="#">Search</a> Lot 4 PATTON AND CRONE MINOR PLAT
<a href="#">202108543</a>	Morgan	06/15/2021	REL : RELEASE	<b>ABBOTT, JAMES ALBERT</b> <a href="#">Search</a> <a href="#">Search</a> BAILEY & WOOD FINANCIAL GROUP <a href="#">Search</a> MORTGAGE ELECTRONIC REGISTRATION SYSTEMS INC <a href="#">Search</a> ABBOTT, BRENDA K	
<a href="#">202108623</a>	Morgan	06/16/2021	MISC : POWER OF ATTORNEY	<b>BUSSER, JAMES ROBERT</b> <a href="#">Search</a> <a href="#">Search</a> BUSSER, JAMES R <a href="#">Search</a> BUSSER, VIRGINIA SCHAEFER <a href="#">Search</a> SCHAEFER <a href="#">Search</a> BUSSER, VIRGINIA <a href="#">see details for more</a>	Non-land <a href="#">Search</a> Lot 11 MARTINSVILLE ORIGINAL PLAT

Document Details	County	Date	Type	Name	Legal
<a href="#">202201498</a>	Morgan	02/10/2022	MISC : POWER OF ATTORNEY	<b>BURT, JAMES</b> <a href="#">Search</a> <a href="#">Search</a> BURT, LINDA <a href="#">Search</a> BURT, JASON	
<a href="#">202201476</a>	Morgan	02/10/2022	DEED : QUIT CLAIM DEED	<b>GILBERT, JAMES P</b> <a href="#">Search</a> <a href="#">Search</a> GILBERT, WENDY <a href="#">Search</a> GILBERT, WENDY N	<a href="#">Search</a> Lot 7 Block 5 PARAGON ORIGINAL PLAT <a href="#">Search</a> Lot 8 Block 5 PARAGON ORIGINAL PLAT
<a href="#">202201477</a>	Morgan	02/10/2022	DEED : QUIT CLAIM DEED	<b>GILBERT, JAMES P</b> <a href="#">Search</a> <a href="#">Search</a> GILBERT, WENDY N	<a href="#">Search</a> 14-11-2W NW SW
<a href="#">202201848</a>	Morgan	02/16/2022	DEED : QUIT CLAIM DEED	<b>BURT, JAMES</b> <a href="#">Search</a> <a href="#">Search</a> BURT, LINDA <a href="#">Search</a> BURT, LINDA K <a href="#">Search</a> BURT, JAMES J	<a href="#">Search</a> Lot 2 CROSSVIEW MINOR PLAT [1-2]
<a href="#">202201878</a>	Morgan	02/17/2022	MORT : MORTGAGE	<b>KARWOSKI, ROBERT JAMES</b> <a href="#">Search</a> <a href="#">Search</a> KARWOSKI, JEFFREY <a href="#">Search</a> KARWOSKI, LINDSAY <a href="#">Search</a> OLD NATIONAL BANK	<a href="#">Search</a> Lot 4 PATTON AND CRONE MINOR PLAT
<a href="#">202203243</a>	Morgan	03/23/2022	DEED : WARRANTY DEED	<b>GERSTENBERGER, ROBERT JAMES</b> <a href="#">Search</a> <a href="#">Search</a> NVR INC <a href="#">Search</a> RYAN HOMES <a href="#">Search</a> GERSTENBERGER, DEBRA ANN	<a href="#">Search</a> Lot 26 ENCLAVE AT HEARTLAND CROSSING SECTION 3
<a href="#">202203244</a>	Morgan	03/23/2022	MORT : MORTGAGE	<b>GERSTENBERGER, ROBERT JAMES</b> <a href="#">Search</a> <a href="#">Search</a> GERSTENBERGER, DEBRA ANN <a href="#">Search</a> MORTGAGE ELECTRONIC REGISTRATION SYSTEMS INC <a href="#">Search</a> NVR MORTGAGE FINANCE INC	<a href="#">Search</a> Lot 26 ENCLAVE AT HEARTLAND CROSSING SECTION 3
<a href="#">202204597</a>	Morgan	04/22/2022	MISC : AFFIDAVIT	<b>ROBERTS, JAMES</b> <a href="#">Search</a> <a href="#">Search</a> ROBERTS, CAROL <a href="#">Search</a> ROBERTS, JAMES T <a href="#">Search</a> BENNETT, JAMES C	<a href="#">Search</a> Lot 2 CARTERS ADDN (MORGANTOWN) [1-25]

Document Details	County	Date	Type	Name	Legal
<a href="#">202205914</a>	Morgan	05/20/2022	DEED : TRANSFER ON DEATH	<b>PARKER, JAMES ROBERT</b> <a href="#">Search</a>  <a href="#">Search</a> PARKER, SANDRA S <a href="#">Search</a> PARKER, SANDRA SUE <a href="#">Search</a> PARKER, SANDRA S <a href="#">see details for more</a>	<a href="#">Search</a> 28-12-1W W NE SW <a href="#">Search</a> 28-12-1W NE SW
<a href="#">202206232</a>	Morgan	05/31/2022	DEED : WARRANTY DEED	<b>GILBERT, JAMES P</b> <a href="#">Search</a>  <a href="#">Search</a> TURNPAUGH, THOMAS KENT JR <a href="#">Search</a> TURNPAUGH, WENDIE WENELL	<a href="#">Search</a> 14-11-2W NW SW
<a href="#">202206327</a>	Morgan	06/02/2022	MORT : MORTGAGE	<b>BURT, JAMES J</b> <a href="#">Search</a>  <a href="#">Search</a> HOME BANK SB	<a href="#">Search</a> Lot 2 CROSSVIEW MINOR PLAT [1-2]
<a href="#">202206387</a>	Morgan	06/03/2022	UCC : A9-AMEND:AMENDMENT	<b>MCNUTT, JAMES ROBERT</b> <a href="#">Search</a>  <a href="#">Search</a> J & P EXPRESS LAUNDRIES LLC <a href="#">Search</a> MCNUTT, PATTIE A <a href="#">Search</a> CENTREBANK	
<a href="#">202206837</a>	Morgan	06/15/2022	DEED : QUIT CLAIM DEED	<b>COVERT, ROBERT JAMES</b> <a href="#">Search</a>  <a href="#">Search</a> NIX, KENNETH IRVIN <a href="#">Search</a> NIX, RAVEN <a href="#">Search</a> NIX, RAVEN LYNN <a href="#">see details for more</a>	<a href="#">Search</a> 29-12-1E NE <a href="#">Search</a> 20-12-1W SE
<a href="#">202206817</a>	Morgan	06/15/2022	REL : RELEASE	<b>GILBERT, JAMES P</b> <a href="#">Search</a>  <a href="#">Search</a> JPMORGAN CHASE BANK NA <a href="#">Search</a> GILBERT, WENDY N	
<a href="#">202207534</a>	Morgan	06/27/2022	DEED : WARRANTY DEED	<b>BURT, JAMES</b> <a href="#">Search</a>  <a href="#">Search</a> QUAKENBUSH, SHARON	Non-land <a href="#">Search</a> Lot 30 MARTINSVILLE ORIGINAL PLAT Non-land Non-land
<a href="#">202207529</a>	Morgan	06/27/2022	DEED : WARRANTY DEED	<b>BURT, JAMES J</b> <a href="#">Search</a>  <a href="#">Search</a> WOODS, ANTHONY H <a href="#">Search</a> WOODS, MARCIA C	<a href="#">Search</a> Lot 2 CROSSVIEW MINOR PLAT [1-2]

Document Details	County	Date	Type	Name	Legal
<a href="#">202208660</a>	Morgan	07/25/2022	REL : RELEASE	<b>BURT, JAMES J</b> <a href="#">Search</a> <a href="#">Search</a> HOME BANK SB	
<a href="#">202209197</a>	Morgan	08/05/2022	REL : RELEASE	<b>COVERT, ROBERT JAMES</b> <a href="#">Search</a> <a href="#">Search</a> OLD NATIONAL BANK <a href="#">Search</a> NIX, IRVIN K <a href="#">Search</a> NIX, RAVEN	
<a href="#">202214526</a>	Morgan	12/30/2022	MORT : MORTGAGE	<b>ROBERTS, JAMES C II</b> <a href="#">Search</a> <a href="#">Search</a> ROBERTS, ANNETTE M <a href="#">Search</a> ACHIEVE LOANS <a href="#">Search</a> LENDAGE LLC <a href="#">see details for more</a>	<a href="#">Search</a> Lot 29 MISSION HEARTLAND CROSSING 2 [15-45]
<a href="#">202300281</a>	Morgan	01/11/2023	MISC : CONTRACT	<b>WESSELER, JAMES ROBERT JR</b> <a href="#">Search</a> <a href="#">Search</a> BRILL, ARTHUR D <a href="#">Search</a> BRILL, BETTY ANN <a href="#">Search</a> WESSELER, J <a href="#">see details for more</a>	<a href="#">Search</a> Lot 15 DETURK & NUTTERS FIRST ADD [3-18] <a href="#">Search</a> Lot 16 DETURK & NUTTERS FIRST ADD [3-18]
<a href="#">202300926</a>	Morgan	02/06/2023	MISC : NAME AFFIDAVIT	<b>LAMBERT, JAMES</b> <a href="#">Search</a> <a href="#">Search</a> LAMBERT, JAMES <a href="#">Search</a> LAMBERT, JAMIE	
<a href="#">202300927</a>	Morgan	02/06/2023	DEED : WARRANTY DEED	<b>LAMBERT, JAMIE</b> <a href="#">Search</a> <a href="#">Search</a> LAMBERT, DENNIS <a href="#">Search</a> GOODIN, ANGELA <a href="#">Search</a> GOODIN, MICHAEL	<a href="#">Search</a> 14-12-1E E SE
<a href="#">202300979</a>	Morgan	02/08/2023	DEED : WARRANTY DEED	<b>LAMBERT, JAMIE</b> <a href="#">Search</a> <a href="#">Search</a> LAMBERT, DENNIS <a href="#">Search</a> GOODIN, ANGELA <a href="#">Search</a> GOODIN, MICHAEL	<a href="#">Search</a> 14-12-1E E SE <a href="#">Search</a> 14-12-1E E SE <a href="#">Search</a> 14-12-1E E SE <a href="#">Search</a> 14-12-1E E SE <a href="#">see details for more</a>
<a href="#">202301357</a>	Morgan	02/23/2023	REL : RELEASE	<b>LAMBERT, JAMIE</b> <a href="#">Search</a> <a href="#">Search</a> NAVY FEDERAL CREDIT UNION <a href="#">Search</a> LAMBERT, DENNIS	

Document Details	County	Date	Type	Name	Legal
<a href="#">202303641</a>	Morgan	05/03/2023	MISC : AFFIDAVIT	<b>JONES JAMES ROBERT IRREVOCABLE LIVING TRUST DTD 12-16-2016</b> <a href="#">Search</a> <a href="#">Search</a> JONES, JAMES R <a href="#">Search</a> JONES, SUE E <a href="#">Search</a> JONES SUE IRREVOCABLE LIVING TRUST DTD 12-16-2016	<a href="#">Search</a> 4-12-2E SE SE
<a href="#">202303642</a>	Morgan	05/03/2023	DEED : TRUSTEES DEED	<b>JONES JAMES ROBERT IRREVOCABLE LIVING TRUST DTD 12-16-2016</b> <a href="#">Search</a> <a href="#">Search</a> JONES SUE IRREVOCABLE LIVING TRUST DTD 12-16-2016 <a href="#">Search</a> JONES, JAMES ROBERT <a href="#">Search</a> JONES, SUE <a href="#">see details for more</a>	<a href="#">Search</a> 4-12-2E SE SE
<a href="#">202303644</a>	Morgan	05/03/2023	MISC : AFFIDAVIT	<b>JONES JAMES ROBERT IRREVOCABLE LIVING TRUST DTD 12-16-2016</b> <a href="#">Search</a> <a href="#">Search</a> JONES, JAMES R <a href="#">Search</a> JONES, SUE E <a href="#">Search</a> JONES SUE IRREVOCABLE LIVING TRUST DTD 12-16-2016	<a href="#">Search</a> 4-12-2E NE SE <a href="#">Search</a> 4-12-2E NW SE
<a href="#">202303645</a>	Morgan	05/03/2023	DEED : TRUSTEES DEED	<b>JONES JAMES ROBERT IRREVOCABLE LIVING TRUST DTD 12-16-2016</b> <a href="#">Search</a> <a href="#">Search</a> JONES SUE IRREVOCABLE LIVING TRUST DTD 12-16-2016 <a href="#">Search</a> JONES, JAMES ROBERT <a href="#">Search</a> JONES, SUE <a href="#">see details for more</a>	<a href="#">Search</a> 4-12-2E NE SE <a href="#">Search</a> 4-12-2E NW SE
<a href="#">202303647</a>	Morgan	05/03/2023	MISC : AFFIDAVIT	<b>JONES JAMES ROBERT IRREVOCABLE LIVING TRUST DTD 12-16-2016</b> <a href="#">Search</a> <a href="#">Search</a> JONES, JAMES R <a href="#">Search</a> JONES, SUE E <a href="#">Search</a> JONES SUE IRREVOCABLE LIVING TRUST DTD 12-16-2016 <a href="#">see details for more</a>	<a href="#">Search</a> 4-12-2E NE SE

Document Details	County	Date	Type	Name	Legal
<a href="#">202303648</a>	Morgan	05/03/2023	DEED : TRUSTEES DEED	<b>JONES JAMES ROBERT IRREVOCABLE LIVING TRUST DTD 12-16-2016</b> <a href="#">Search</a>  <a href="#">Search</a> JONES SUE IRREVOCABLE LIVING TRUST DTD 12-16-2016 <a href="#">Search</a> JONES, JAMES ROBERT <a href="#">Search</a> JONES, SUE <a href="#">see details for more</a>	<a href="#">Search</a> 4-12-2E NE SE
<a href="#">202303650</a>	Morgan	05/03/2023	MISC : AFFIDAVIT	<b>JONES JAMES ROBERT IRREVOCABLE LIVING TRUST DTD 12-16-2016</b> <a href="#">Search</a>  <a href="#">Search</a> JONES, JAMES R <a href="#">Search</a> JONES, SUE E <a href="#">Search</a> JONES SUE IRREVOCABLE LIVING TRUST DTD 12-16-2016 <a href="#">see details for more</a>	<a href="#">Search</a> 4-12-2E NE SE
<a href="#">202303651</a>	Morgan	05/03/2023	DEED : TRUSTEES DEED	<b>JONES JAMES ROBERT IRREVOCABLE LIVING TRUST DTD 12-16-2016</b> <a href="#">Search</a>  <a href="#">Search</a> JONES SUE IRREVOCABLE LIVING TRUST DTD 12-16-2016 <a href="#">Search</a> JONES, JAMES ROBERT <a href="#">Search</a> JONES, SUE <a href="#">see details for more</a>	<a href="#">Search</a> 4-12-2E NE SE
<a href="#">202304720</a>	Morgan	06/06/2023	DEED : WARRANTY DEED	<b>GILBERT, JAMES P</b> <a href="#">Search</a>  <a href="#">Search</a> WEST, KELLY <a href="#">Search</a> WEST, SHARON	<a href="#">Search</a> Lot 7 Block 5 PARAGON ORIGINAL PLAT <a href="#">Search</a> Lot 8 Block 5 PARAGON ORIGINAL PLAT
<a href="#">202304817</a>	Morgan	06/08/2023	LIEN : LIEN	<b>DOREY, JAMES ROBERT</b> <a href="#">Search</a>  <a href="#">Search</a> DOREY, JAMES <a href="#">Search</a> BARNES, BETH A	
<a href="#">202306722</a>	Morgan	08/01/2023	DEED : WARRANTY DEED	<b>MYNATT, JAMES ROBERT</b> <a href="#">Search</a>  <a href="#">Search</a> SHAKE AND BAKE LLC	<a href="#">Search</a> 25-14-1E S SW NW
<a href="#">202307207</a>	Morgan	08/17/2023	MORT : MORTGAGE	<b>WARD, JAMES ALBERT III</b> <a href="#">Search</a>  <a href="#">Search</a> WARD, JAMES <a href="#">Search</a> REGIONS BANK	<a href="#">Search</a> Lot 13 KARRINGTON ESTATES SECTION 1 [1-50]

Document Details	County	Date	Type	Name	Legal
<a href="#">202400564</a>	Morgan	01/10/2024	DEED : PERSONAL REPRESENTATIVE DEED	<b>ELLIS, JAMES ROBERT</b> <a href="#">Search</a> <a href="#">Search</a> ELLIS, JAMES ROBERT I <a href="#">Search</a> ELLIS, JAMES R <a href="#">Search</a> ELLIS, LESLIE L	<a href="#">Search</a> Lot 38 HIGHLAND MEADOWS 8TH SECTION [1-124]
<a href="#">202400997</a>	Morgan	01/26/2024	DEED : GUARDIAN'S DEED	<b>THACKER, JAMES ROBERT</b> <a href="#">Search</a> <a href="#">Search</a> FOSTER, VIRGINIA L <a href="#">Search</a> THACKER, MILDRED ALICE	<a href="#">Search</a> 19-12-1E SW SW
<a href="#">202403266</a>	Morgan	04/12/2024	REL : RELEASE	<b>ABBOTT, JAMES ALBERT</b> <a href="#">Search</a> <a href="#">Search</a> BAILEY & WOOD FINANCIAL GROUP <a href="#">Search</a> MORTGAGE ELECTRONIC REGISTRATION SYSTEMS INC <a href="#">Search</a> ABBOTT, BRENDA K	
<a href="#">202409976</a>	Morgan	10/23/2024	DEED : QUIT CLAIM DEED	<b>WESSELER, JAMES ROBERT JR</b> <a href="#">Search</a> <a href="#">Search</a> WESSELER, JESSICA LYN <a href="#">Search</a> BRILL, ARTHUR D <a href="#">Search</a> BRILL, BETTY ANN	<a href="#">Search</a> Lot 15 DETURK & NUTTERS FIRST ADD [3-18] <a href="#">Search</a> Lot 16 DETURK & NUTTERS FIRST ADD [3-18]

The data or information provided is based on information obtained from Indiana Courts, Clerks, Recorders, and Department of Revenue, and is not to be considered or used as an official record. Doxpop, LLC, the Division of State Court Administration, the Indiana Courts and Clerks of Court, the Indiana Recorders, and the Indiana Department of Revenue: 1) Do not warrant that the information is accurate or complete; 2) Make no representations regarding the identity of any persons whose names appear in the information; and 3) Disclaim any liability for any damages resulting from the release or use of the information. The user should verify the information by personally consulting the official record maintained by the court, clerk, recorder or Department of Revenue.

Copyright © 2002-2024 Doxpop, llc. All Rights Reserved



# Search Results for:

**LOT: 30**  
**SUBDIVISION: MARTINSVILLE ORIGINAL PLAT**  
**REGION: Morgan County, IN**  
**DOCUMENTS VALIDATED THROUGH: 11/15/2024 3:35 PM**

Showing 49 results

Filter:

Document Details	County	Date	Type	Name	Legal
<a href="#">8803751</a>	Morgan	05/27/1988	DEED : WARRANTY DEED	<a href="#">Search</a> MARTIN, LARRY A <a href="#">Search</a> MARTIN, PEGGY P <a href="#">Search</a> QUAKENBUSH, PERRY L <a href="#">Search</a> QUAKENBUSH, SHARON	Non-land <a href="#">see details</a> <a href="#">Search</a> Lot 30 MARTINSVILLE ORIGINAL PLAT
<a href="#">8803752</a>	Morgan	05/27/1988	MORT : MORTGAGE	<a href="#">Search</a> QUAKENBUSH, PERRY L <a href="#">Search</a> QUAKENBUSH, SHARON S <a href="#">Search</a> HOME BUILDING ASSOCIATION	Non-land <a href="#">see details</a> <a href="#">Search</a> 33-12-1E SW SW <a href="#">Search</a> Lot 30 MARTINSVILLE ORIGINAL PLAT
<a href="#">8804999</a>	Morgan	07/05/1988	DEED : WARRANTY DEED	<a href="#">Search</a> KIVETT, IMOGENE I <a href="#">Search</a> BURDEN, DEBRA SUE	<a href="#">Search</a> Lot 30 MARTINSVILLE ORIGINAL PLAT
<a href="#">8900520</a>	Morgan	01/20/1989	DEED : WARRANTY DEED	<a href="#">Search</a> POE, BARBARA A <a href="#">Search</a> POE, BARBARA A <a href="#">Search</a> POE, WILLIAM E <a href="#">Search</a> POE, BARBARA A <a href="#">see details for more</a>	<a href="#">Search</a> Lot 30 MARTINSVILLE ORIGINAL PLAT <a href="#">Search</a> 9-11-1E W NE
<a href="#">9003794</a>	Morgan	05/24/1990	DEED : WARRANTY DEED	<a href="#">Search</a> ELLIS, CONNIE <a href="#">Search</a> ELLIS, DEAN <a href="#">Search</a> SHORT, DONALD R	<a href="#">Search</a> Lot 30 MARTINSVILLE ORIGINAL PLAT
<a href="#">9003795</a>	Morgan	05/24/1990	MORT : MORTGAGE	<a href="#">Search</a> SHORT, DONALD R <a href="#">Search</a> BLOOMINGTON MORTGAGE CORPORATION	<a href="#">Search</a> Lot 30 MARTINSVILLE ORIGINAL PLAT
<a href="#">9105945</a>	Morgan	07/10/1991	DEED : PERSONAL REPRESENTATIVE DEED	<a href="#">Search</a> POE, WILLIAM E <a href="#">Search</a> POE, BARBARA A	<a href="#">Search</a> Lot 30 MARTINSVILLE ORIGINAL PLAT
<a href="#">9111696</a>	Morgan	12/30/1991	MORT : MORTGAGE	<a href="#">Search</a> SHORT, DONALD R <a href="#">Search</a> HOME BANK SB	<a href="#">Search</a> Lot 30 MARTINSVILLE ORIGINAL PLAT

Document Details	County	Date	Type	Name	Legal
<a href="#">9201000</a>	Morgan	01/27/1992	MORT : MORTGAGE	<a href="#">Search</a> RINEHART, KENNETH P <a href="#">Search</a> FIRST NATIONAL BANK	Non-land <a href="#">Search</a> Lot 30 MARTINSVILLE ORIGINAL PLAT
<a href="#">9203722</a>	Morgan	03/31/1992	LIEN : SEWER LIEN	<a href="#">Search</a> BASTIN, DAVID LEON <a href="#">Search</a> CALDWELL, KAREN S <a href="#">Search</a> CALDWELL, STEVEN W <a href="#">Search</a> DANIEL, EDDIE H <a href="#">see details for more</a>	<a href="#">Search</a> Lot 2 Block 24 MARTINSVILLE ORIGINAL PLAT <a href="#">Search</a> Lot 1 Block 24 MARTINSVILLE ORIGINAL PLAT <a href="#">Search</a> Lot 5 Block 16 CUNNINGHAMS 2ND ADDITION <a href="#">Search</a> 34-12-1E SW <a href="#">see details for more</a>
<a href="#">9302898</a>	Morgan	03/22/1993	MORT : MORTGAGE	<a href="#">Search</a> RINEHART, KENNETH P <a href="#">Search</a> FIRST NATIONAL BANK	<a href="#">Search</a> Lot 30 MARTINSVILLE ORIGINAL PLAT Non-land
<a href="#">9306035</a>	Morgan	06/01/1993	DEED : WARRANTY DEED	<a href="#">Search</a> KIRK, BEULAH B <a href="#">Search</a> VALENTINE, SHAWN T	<a href="#">Search</a> Lot 30 MARTINSVILLE ORIGINAL PLAT
<a href="#">9306036</a>	Morgan	06/01/1993	MORT : MORTGAGE	<a href="#">Search</a> VALENTINE, SHAWN T <a href="#">Search</a> MAJESTIC MORTGAGE SERVICES INC	<a href="#">Search</a> Lot 30 MARTINSVILLE ORIGINAL PLAT
<a href="#">9309228</a>	Morgan	08/09/1993	DEED : WARRANTY DEED	<a href="#">Search</a> SHORT, DONALD R <a href="#">Search</a> NOLAN, DENISE L <a href="#">Search</a> NOLAN, ROBERT C	<a href="#">Search</a> Lot 30 MARTINSVILLE ORIGINAL PLAT
<a href="#">9309229</a>	Morgan	08/09/1993	MORT : MORTGAGE	<a href="#">Search</a> NOLAN, DENISE L <a href="#">Search</a> NOLAN, ROBERT C <a href="#">Search</a> NBD MORTGAGE COMPANY	<a href="#">Search</a> Lot 30 MARTINSVILLE ORIGINAL PLAT
<a href="#">9510540</a>	Morgan	09/08/1995	DEED : WARRANTY DEED	<a href="#">Search</a> VALENTINE, SHAWN T <a href="#">Search</a> TAYLOR, DEBORAH SCHLAK	<a href="#">Search</a> Lot 30 MARTINSVILLE ORIGINAL PLAT
<a href="#">9510541</a>	Morgan	09/08/1995	MORT : MORTGAGE	<a href="#">Search</a> TAYLOR, DEBORAH SCHLAK <a href="#">Search</a> HOME BANK SB	<a href="#">Search</a> Lot 30 MARTINSVILLE ORIGINAL PLAT
<a href="#">9610362</a>	Morgan	07/31/1996	DEED : WARRANTY DEED	<a href="#">Search</a> NOLAN, DENISE L <a href="#">Search</a> NOLAN, ROBERT C <a href="#">Search</a> HOBSON, ELIZABETH	<a href="#">Search</a> Lot 30 MARTINSVILLE ORIGINAL PLAT

Document Details	County	Date	Type	Name	Legal
<a href="#">9610363</a>	Morgan	07/31/1996	MORT : MORTGAGE	<a href="#">Search</a> HOBSON, ELIZABETH <a href="#">Search</a> CITIZENS BANK	<a href="#">Search</a> Lot 30 MARTINSVILLE ORIGINAL PLAT
<a href="#">9714924</a>	Morgan	11/13/1997	MISC : AGREEMENT	<a href="#">Search</a> POE BRADLEY T IRREVOCABLE TRUST II DTD 2-17-89 <a href="#">Search</a> POE WILLIAM E TRUST DTD 2-17-89 <a href="#">Search</a> POE, BARBARA A <a href="#">Search</a> POE, BRADLEY T <a href="#">see details for more</a>	<a href="#">Search</a> Lot 30 MARTINSVILLE ORIGINAL PLAT <a href="#">Search</a> 9-11-1E W NE <a href="#">Search</a> 9-11-1E W NE
<a href="#">9815984</a>	Morgan	09/30/1998	DEED : WARRANTY DEED	<a href="#">Search</a> HOBSON, ELIZABETH <a href="#">Search</a> MESSMER, STEVEN R	<a href="#">Search</a> Lot 30 MARTINSVILLE ORIGINAL PLAT
<a href="#">9815985</a>	Morgan	09/30/1998	MORT : MORTGAGE	<a href="#">Search</a> MESSMER, STEVEN R <a href="#">Search</a> CTX MORTGAGE COMPANY	<a href="#">Search</a> Lot 30 MARTINSVILLE ORIGINAL PLAT
<a href="#">9914970</a>	Morgan	09/16/1999	MISC : AFFIDAVIT	<a href="#">Search</a> RINEHART, KENNETH P <a href="#">Search</a> RODGERS, DON A <a href="#">Search</a> RODGERS, LINDA <a href="#">Search</a> RODGERS, LINDA J	Non-land Non-land <a href="#">Search</a> Lot 30 MARTINSVILLE ORIGINAL PLAT <a href="#">Search</a> Lot 31 MARTINSVILLE ORIGINAL PLAT
<a href="#">20004446</a>	Morgan	04/10/2000	MORT : MORTGAGE	<a href="#">Search</a> RINEHART, KEN <a href="#">Search</a> RINEHART, KENNETH P <a href="#">Search</a> HUNTINGTON NATIONAL BANK	Non-land <a href="#">Search</a> Lot 30 MARTINSVILLE ORIGINAL PLAT
<a href="#">20009296</a>	Morgan	07/17/2000	MORT : MORTGAGE	<a href="#">Search</a> RINEHART, KENNETH P <a href="#">Search</a> HUNTINGTON NATIONAL BANK	Non-land <a href="#">Search</a> Lot 30 MARTINSVILLE ORIGINAL PLAT
<a href="#">20117652</a>	Morgan	11/02/2001	DEED : QUIT CLAIM DEED	<a href="#">Search</a> CHAPLIN, DEBORAH SCHLAK <a href="#">Search</a> TAYLOR, DEBORAH SCHLAK <a href="#">Search</a> CHAPLIN, DEBORAH SCHLAK <a href="#">Search</a> CHAPLIN, GARY R	<a href="#">Search</a> Lot 30 MARTINSVILLE ORIGINAL PLAT
<a href="#">20117653</a>	Morgan	11/02/2001	MORT : MORTGAGE	<a href="#">Search</a> CHAPLIN, DEBORAH SCHLAK <a href="#">Search</a> CHAPLIN, GARY R <a href="#">Search</a> HOME BANK SB	<a href="#">Search</a> Lot 5 Block 5 MARTINSVILLE ORIGINAL PLAT <a href="#">Search</a> Lot 6 Block 5 MARTINSVILLE ORIGINAL PLAT <a href="#">Search</a> Lot 30 MARTINSVILLE ORIGINAL PLAT

Document Details	County	Date	Type	Name	Legal
<a href="#">200307897</a>	Morgan	04/22/2003	DEED : QUIT CLAIM DEED	<a href="#">Search</a> POE, BARBARA A <a href="#">Search</a> POE BARBARA A LIVING TRUST	<a href="#">Search</a> Lot 30 MARTINSVILLE ORIGINAL PLAT
<a href="#">200312866</a>	Morgan	06/27/2003	MORT : MORTGAGE	<a href="#">Search</a> CHAPLIN, DEBORAH SCHLAK <a href="#">Search</a> CHAPLIN, GARY R <a href="#">Search</a> HOME BANK SB	<a href="#">Search</a> Lot 30 MARTINSVILLE ORIGINAL PLAT
<a href="#">200316655</a>	Morgan	08/15/2003	MORT : MORTGAGE	<a href="#">Search</a> MESSMER, STEVEN R <a href="#">Search</a> SUNTRUST MORTGAGE INC	<a href="#">Search</a> Lot 30 MARTINSVILLE ORIGINAL PLAT
<a href="#">200323703</a>	Morgan	12/01/2003	MORT : MORTGAGE	<a href="#">Search</a> CHAPLIN, DEBORAH SCHLAK <a href="#">Search</a> CHAPLIN, GARY R <a href="#">Search</a> EDWARD JONES MORTGAGE LLC	<a href="#">Search</a> Lot 30 MARTINSVILLE ORIGINAL PLAT
<a href="#">200615139</a>	Morgan	11/28/2006	MORT : MORTGAGE	<a href="#">Search</a> MESSMER, STEVEN R <a href="#">Search</a> HOME BANK SB	<a href="#">Search</a> Lot 30 MARTINSVILLE ORIGINAL PLAT
<a href="#">200906370</a>	Morgan	06/18/2009	MORT : MORTGAGE	<a href="#">Search</a> QUAKENBUSH, PERRY L <a href="#">Search</a> QUAKENBUSH, SHARON S <a href="#">Search</a> HOME BANK SB	Non-land <a href="#">Search</a> Lot 30 MARTINSVILLE ORIGINAL PLAT
<a href="#">201209401</a>	Morgan	08/27/2012	DEED : QUIT CLAIM DEED	<a href="#">Search</a> BURDEN, DEBRA SUE <a href="#">Search</a> POE BARBARA A LIVING TRUST <a href="#">Search</a> POE, BARBARA A	<a href="#">Search</a> Lot 30 MARTINSVILLE ORIGINAL PLAT
<a href="#">201209402</a>	Morgan	08/27/2012	DEED : QUIT CLAIM DEED	<a href="#">Search</a> BURDEN, DEBRA SUE <a href="#">Search</a> CHAPLIN, DEBORAH SCHLAK <a href="#">Search</a> CHAPLIN, GARY R	<a href="#">Search</a> Lot 30 MARTINSVILLE ORIGINAL PLAT
<a href="#">201209403</a>	Morgan	08/27/2012	DEED : QUIT CLAIM DEED	<a href="#">Search</a> CHAPLIN, DEBORAH SCHLAK <a href="#">Search</a> CHAPLIN, GARY R <a href="#">Search</a> POE BARBARA A LIVING TRUST <a href="#">Search</a> POE, BARBARA A <a href="#">see details for more</a>	<a href="#">Search</a> Lot 30 MARTINSVILLE ORIGINAL PLAT
<a href="#">201209404</a>	Morgan	08/27/2012	DEED : QUIT CLAIM DEED	<a href="#">Search</a> BURDEN, DEBRA SUE <a href="#">Search</a> BURDEN, DEBRA SUE	<a href="#">Search</a> Lot 30 MARTINSVILLE ORIGINAL PLAT

Document Details	County	Date	Type	Name	Legal
<a href="#">201209405</a>	Morgan	08/27/2012	EASEMENT : EASEMENT	<a href="#">Search</a> BURDEN, DEBRA SUE <a href="#">Search</a> CHAPLIN, DEBORAH SCHLAK <a href="#">Search</a> CHAPLIN, GARY R <a href="#">Search</a> POE BARBARA A LIVING TRUST <a href="#">see details for more</a>	<a href="#">Search</a> Lot 30 MARTINSVILLE ORIGINAL PLAT
<a href="#">201903526</a>	Morgan	04/12/2019	DEED : QUIT CLAIM DEED	<a href="#">Search</a> POE, MICHAEL DONALD <a href="#">Search</a> POE BARBARA A LIVING TRUST <a href="#">Search</a> POE, BARBARA A	<a href="#">Search</a> Lot 30 MARTINSVILLE ORIGINAL PLAT
<a href="#">201903527</a>	Morgan	04/12/2019	DEED : TRUSTEES DEED	<a href="#">Search</a> POE BARBARA A LIVING TRUST <a href="#">Search</a> POE, BARBARA A <a href="#">Search</a> POE, ERIC W <a href="#">Search</a> POE, JERRY W	<a href="#">Search</a> Lot 30 MARTINSVILLE ORIGINAL PLAT
<a href="#">201913455</a>	Morgan	12/06/2019	DEED : QUIT CLAIM DEED	<a href="#">Search</a> POE, ERIC W <a href="#">Search</a> POE, JERRY W <a href="#">Search</a> POE, CIARA <a href="#">Search</a> POE, JERRY W	<a href="#">Search</a> Lot 30 MARTINSVILLE ORIGINAL PLAT
<a href="#">202004064</a>	Morgan	04/15/2020	DEED : WARRANTY DEED	<a href="#">Search</a> POE, CIARA <a href="#">Search</a> POE, JERRY W <a href="#">Search</a> JUNE, JOSEPH	<a href="#">Search</a> Lot 30 MARTINSVILLE ORIGINAL PLAT
<a href="#">202004065</a>	Morgan	04/15/2020	MORT : MORTGAGE	<a href="#">Search</a> JUNE, JOSEPH <a href="#">Search</a> BAILEY & WOOD FINANCIAL GROUP <a href="#">Search</a> MORTGAGE ELECTRONIC REGISTRATION SYSTEMS INC	<a href="#">Search</a> Lot 30 MARTINSVILLE ORIGINAL PLAT
<a href="#">202012512</a>	Morgan	10/22/2020	MISC : SURVIVORSHIP AFFIDAVIT	<a href="#">Search</a> QUAKENBUSH, PERRY L <a href="#">Search</a> QUAKENBUSH, SHARON	Non-land <a href="#">Search</a> Lot 30 MARTINSVILLE ORIGINAL PLAT Non-land
<a href="#">202012513</a>	Morgan	10/22/2020	DEED : TRANSFER ON DEATH	<a href="#">Search</a> QUAKENBUSH, SHARON <a href="#">Search</a> MACKIN, MINDY <a href="#">Search</a> QUAKENBUSH, BRADLEY <a href="#">Search</a> QUAKENBUSH, DEL	Non-land <a href="#">Search</a> Lot 30 MARTINSVILLE ORIGINAL PLAT Non-land
<a href="#">202202265</a>	Morgan	02/28/2022	DEED : WARRANTY DEED	<a href="#">Search</a> CHAPLIN, DEBORAH SCHLAK <a href="#">Search</a> CHAPLIN, GARY R <a href="#">Search</a> STEWART, JASON D	<a href="#">Search</a> Lot 30 MARTINSVILLE ORIGINAL PLAT <a href="#">Search</a> Lot 30 MARTINSVILLE ORIGINAL PLAT

Document Details	County	Date	Type	Name	Legal
<a href="#">202202266</a>	Morgan	02/28/2022	MORT : MORTGAGE	<a href="#">Search</a> STEWART, JASON D <a href="#">Search</a> MORTGAGE ELECTRONIC REGISTRATION SYSTEMS INC <a href="#">Search</a> RUOFF MORTGAGE COMPANY INC	<a href="#">Search</a> Lot 30 MARTINSVILLE ORIGINAL PLAT <a href="#">Search</a> Lot 30 MARTINSVILLE ORIGINAL PLAT
<a href="#">202207534</a>	Morgan	06/27/2022	DEED : WARRANTY DEED	<a href="#">Search</a> QUAKENBUSH, SHARON <a href="#">Search</a> BURT, JAMES	Non-land <a href="#">Search</a> Lot 30 MARTINSVILLE ORIGINAL PLAT Non-land Non-land
<a href="#">202308370</a>	Morgan	09/19/2023	MORT : MORTGAGE	<a href="#">Search</a> JUNE, JOSEPH <a href="#">Search</a> INDIANA HOUSING AND COMMUNITY DEVELOPMENT AUTHORITY	<a href="#">Search</a> Lot 30 MARTINSVILLE ORIGINAL PLAT

The data or information provided is based on information obtained from Indiana Courts, Clerks, Recorders, and Department of Revenue, and is not to be considered or used as an official record. Doxpop, LLC, the Division of State Court Administration, the Indiana Courts and Clerks of Court, the Indiana Recorders, and the Indiana Department of Revenue: 1) Do not warrant that the information is accurate or complete; 2) Make no representations regarding the identity of any persons whose names appear in the information; and 3) Disclaim any liability for any damages resulting from the release or use of the information. The user should verify the information by personally consulting the official record maintained by the court, clerk, recorder or Department of Revenue.

Copyright © 2002-2024 Doxpop, llc. All Rights Reserved

## Search Results for:

**NAME: Burt, James (Super Search)**



**PARTY ROLE: Case Party**  
**REGION: Morgan County, IN**

Showing 86 results

Filter:

Case Details	Name	Birth Date	Role	Type	Status	File Date	Disposition Date
<a href="#">55D01-1101-CC-000089</a>	Archer, Robert James		Defendant	Civil	Closed	01/14/2011	04/08/2015
<a href="#">55D01-9004-EU00038</a>	Asher, James Robert		Personal Representative	Civil	Closed	04/11/1990	08/13/1996
<a href="#">55D01-9004-EU-000032</a>	Asher, James Robert		Personal Representative	Civil	Closed	04/02/1990	12/01/1995
<a href="#">55C01-2403-JP-000097</a>	Baker, Robert James		Petitioner	Civil	Closed	03/15/2024	10/24/2024
<a href="#">55D01-9308-DR00417</a>	Ball, Hubert James		Petitioner	Civil	Closed	08/24/1993	11/18/2020
<a href="#">55C01-0706-CM-000153</a>	Blevins, James Robert	12/01/1976	Defendant	Criminal	Closed	06/04/2007	08/07/2007
<a href="#">55D02-1005-DR-000199</a>	Braden, James Albert, Jr.		Respondent	Civil	Closed	05/10/2010	07/09/2010
<a href="#">55D01-0408-DR-000504</a>	Braden, James Albert, Jr.		Respondent	Civil	Closed	08/11/2004	01/31/2005
<a href="#">55D02-2004-DN-000661</a>	Brewer II, James Robert		Respondent	Civil	Closed	04/29/2020	07/13/2020
<a href="#">55D03-1604-DR-000568</a>	Brock, James Albert, Jr.		Petitioner	Civil	Closed	04/15/2016	07/14/2016
<a href="#">55D02-0011-DR-000227</a>	Burton, James T		Petitioner	Civil	Closed	11/29/2000	01/30/2001
<a href="#">55D01-0505-CC-000314</a>	Burton, Jamie		Defendant	Civil	Closed	05/25/2005	07/06/2005
<a href="#">55D01-1406-EU-000066</a>	Champlin, Herbert James		Personal Representative	Civil	Closed	06/18/2014	08/08/2014
<a href="#">55C01-1309-PC-001228</a>	Childs, James Robert, Jr.		Petitioner	Civil	Closed	09/16/2013	09/30/2013
<a href="#">55C01-0909-PC-000306</a>	Childs, James Robert, Jr.		Petitioner	Civil	Closed	09/09/2009	02/10/2010
<a href="#">55C01-0210-FB-000281</a>	Childs, James Robert, Jr.	03/13/1953	Defendant	Criminal	Closed	10/28/2002	06/07/2016
<a href="#">55C01-2109-DN-001434</a>	Dorey, James Robert		Respondent	Civil	Closed	09/20/2021	05/23/2022

Case Details	Name	Birth Date	Role	Type	Status	File Date	Disposition Date
<a href="#">55C01-0211-MF-000680</a>	Doty, Robert James		Defendant	Civil	Closed	11/04/2002	04/01/2003
<a href="#">55D01-2310-DN-001881</a>	Duncan, James Robert		Respondent	Civil	Closed	10/25/2023	01/02/2024
<a href="#">55D02-2211-EU-000214</a>	Ellis, James Robert		Decedent	Civil	Open	11/08/2022	
<a href="#">55D01-9707-DR-000271</a>	Ellis, James Robert, II		Respondent	Civil	Closed	07/02/1997	08/05/1998
<a href="#">55D01-1807-DN-001299</a>	Gilbert, James		Respondent	Civil	Closed	07/17/2018	10/02/2020
<a href="#">55D03-2308-SC-000513</a>	Gilbert, James P		Plaintiff	Civil	Open	08/04/2023	02/23/2024
<a href="#">55D02-2204-CC-000549</a>	Gilbert, James P		Defendant	Civil	Closed	04/17/2022	05/27/2022
<a href="#">55D01-9711-CM-000250</a>	Gilbert, James P, II	06/24/1979	Defendant	Criminal	Closed	11/18/1997	07/06/1998
<a href="#">55D01-1512-DR-002131</a>	Gilbert, James Paul		Respondent	Civil	Closed	12/18/2015	01/13/2017
<a href="#">55D03-2004-F5-000547</a>	Grider, James Robert	10/18/1988	Defendant	Criminal	Closed	04/02/2020	12/17/2020
<a href="#">55D03-1912-F5-002183</a>	Grider, James Robert	10/18/1988	Defendant	Criminal	Closed	12/18/2019	12/17/2020
<a href="#">55D02-0905-FD-000147</a>	Grider, James Robert	10/18/1988	Defendant	Criminal	Closed	05/26/2009	03/25/2010
<a href="#">55D01-1712-PL-002267</a>	Groce, James Robert		Plaintiff	Civil	Closed	12/22/2017	11/28/2018
<a href="#">55D03-1708-DC-001554</a>	Hawkins, Robert James		Respondent	Civil	Closed	08/25/2017	09/17/2018
<a href="#">55D02-1106-DR-001347</a>	Hovious, Robert James		Petitioner	Civil	Closed	06/30/2011	10/19/2011
<a href="#">55D01-0703-DR-000104</a>	Hovious, Robert James		Petitioner	Civil	Closed	03/05/2007	01/07/2008
<a href="#">55D01-1507-EU-000095</a>	Hulse, James Albert		Decedent	Civil	Closed	07/24/2015	06/16/2017
<a href="#">55D01-9509-DF-000172</a>	Hunt, James Robert	04/30/1948	Defendant	Criminal	Closed	09/27/1995	12/19/1996
<a href="#">55E01-9401-SC-000056</a>	Jones, James Robert		Defendant	Civil	Closed	01/13/1994	02/28/1994
<a href="#">55D01-0507-CT-000431</a>	Lamb, Robert James		Plaintiff	Civil	Closed	07/08/2005	11/21/2006
<a href="#">55D03-1512-SC-001418</a>	Lambert, James		Defendant	Civil	Closed	12/03/2015	01/15/2016
<a href="#">55D03-1407-SC-000842</a>	Lambert, James		Defendant	Civil	Closed	07/21/2014	09/10/2014



Case Details	Name	Birth Date	Role	Type	Status	File Date	Disposition Date
<a href="#">55D03-1407-SC-000826</a>	Lambert, James		Defendant	Civil	Closed	07/18/2014	03/22/2023
<a href="#">55C01-1006-CC-000612</a>	Lambert, James		Defendant	Civil	Closed	06/25/2010	12/01/2010
<a href="#">55D03-0902-SC-000317</a>	Lambert, James		Defendant	Civil	Closed	02/13/2009	06/23/2009
<a href="#">55D03-0610-SC-001809</a>	Lambert, James		Defendant	Civil	Closed	10/16/2006	11/14/2006
<a href="#">55D01-1006-CC-000332</a>	Lambert, James N		Defendant	Civil	Closed	06/18/2010	08/12/2010
<a href="#">55C01-0911-MF-001009</a>	Lambert, James N		Defendant	Civil	Closed	11/16/2009	09/21/2010
<a href="#">55D01-1102-DR-000231</a>	Lambert, James Nolan		Petitioner	Civil	Closed	02/09/2011	04/13/2011
<a href="#">55D03-9608-SC-001272</a>	Lambert, James R		Defendant	Civil	Closed	08/19/1996	03/30/1998
<a href="#">55D03-0802-SC-000455</a>	Lambert, Jamie		Defendant	Civil	Open	02/26/2008	
<a href="#">55E01-9306-CP-000033</a>	Lambert, Jamie		Defendant	Civil	Closed	06/25/1993	02/02/1999
<a href="#">55D02-1107-DR-001471</a>	Lee, James Robert		Respondent	Civil	Closed	07/15/2011	10/11/2011
<a href="#">55D01-0906-CM-000221</a>	Martin, James Hubert, Jr.	07/17/1962	Defendant	Criminal	Closed	06/15/2009	07/15/2009
<a href="#">55D03-2106-CT-000906</a>	McNutt, James Robert		Defendant	Civil	Closed	06/17/2021	08/03/2022
<a href="#">55C01-0612-FD-000397</a>	Menke, James Robert	10/14/1953	Defendant	Criminal	Closed	12/05/2006	02/13/2008
<a href="#">55D03-0606-FD-000142</a>	Menke, James Robert	10/14/1953	Defendant	Criminal	Closed	06/06/2006	11/30/2006
<a href="#">55D01-0902-DR-000081</a>	Moore, Robert James		Respondent	Civil	Closed	02/24/2009	03/15/2010
<a href="#">55D02-1101-DR-000066</a>	Morrison, James Albert		Petitioner	Civil	Closed	01/10/2011	10/04/2016
<a href="#">55D01-1705-EU-000050</a>	Mynatt, James Robert		Petitioner	Civil	Closed	05/03/2017	06/26/2018
<a href="#">55D01-1705-EU-000050</a>	Mynatt, James Robert		Personal Representative	Civil	Closed	05/03/2017	06/26/2018
<a href="#">55D02-1107-DR-001455</a>	Ping, James Robert		Respondent	Civil	Closed	07/15/2011	01/06/2023
<a href="#">55C01-1211-DR-002455</a>	Pitman, James Robert		Respondent	Civil	Closed	11/13/2012	09/11/2023
<a href="#">55D03-0810-DR-000460</a>	Pitman, James Robert		Respondent	Civil	Closed	10/28/2008	11/13/2012
<a href="#">55D03-9702-SC-000272</a>	Roberts, James		Plaintiff	Civil	Open	02/28/1997	

Case Details	Name	Birth Date	Role	Type	Status	File Date	Disposition Date
<a href="#">55D03-1608-CC-001249</a>	Roberts, James		Defendant	Civil	Closed	08/10/2016	06/26/2018
<a href="#">55D03-0902-SC-000278</a>	Roberts, James		Defendant	Civil	Closed	02/09/2009	05/15/2009
<a href="#">55C01-0811-MF-001108</a>	Roberts, James C		Defendant	Civil	Closed	11/14/2008	02/05/2009
<a href="#">55D03-0806-SC-001217</a>	Roberts, James C		Defendant	Civil	Closed	06/16/2008	01/21/2009
<a href="#">55D03-0711-SC-001667</a>	Roberts, James C		Defendant	Civil	Closed	11/15/2007	08/15/2008
<a href="#">55D01-0409-CC-000615</a>	Roberts, James C		Defendant	Civil	Closed	09/23/2004	07/19/2005
<a href="#">55C01-9811-CP-000440</a>	Roberts, James M, Sr.		Defendant	Civil	Closed	11/23/1998	06/08/1999
<a href="#">55C01-9811-CP-000440</a>	Roberts, James M, Sr.		Cross-Claim Defendant	Civil	Closed	11/23/1998	06/08/1999
<a href="#">55D01-1303-CT-000451</a>	Roberts, James R		Plaintiff	Civil	Closed	03/11/2013	05/01/2014
<a href="#">55D03-0807-SC-001327</a>	Roberts, James T		Plaintiff	Civil	Open	07/11/2008	
<a href="#">55D03-1304-PL-000682</a>	Roberts, James T		Plaintiff	Civil	Closed	04/15/2013	08/15/2024
<a href="#">55D03-0208-SC-001446</a>	Roberts, James T		Plaintiff	Civil	Closed	08/08/2002	08/27/2002
<a href="#">55D03-0001-SC-000102</a>	Roberts, James T		Plaintiff	Civil	Closed	01/21/2000	04/10/2000
<a href="#">55D02-1006-DR-000263</a>	Russell, James Robert		Respondent	Civil	Closed	06/10/2010	08/09/2010
<a href="#">55D03-0501-SC-000226</a>	Russell, James Robert		Defendant	Civil	Closed	01/24/2005	03/11/2005
<a href="#">55D03-1009-SC-001353</a>	Smith, James Robert		Defendant	Civil	Closed	09/24/2010	10/29/2010
<a href="#">55C01-0507-CM-000200</a>	Smith, James Robert	12/16/1956	Defendant	Criminal	Closed	07/14/2005	12/06/2006
<a href="#">55D01-1107-DR-001441</a>	Snyder, James Robert		Respondent	Civil	Closed	07/13/2011	06/25/2012
<a href="#">55D01-1301-DR-000185</a>	Somers I, Robert James		Petitioner	Civil	Closed	01/28/2013	04/24/2013
<a href="#">55D03-1301-DR-000037</a>	Somers I, Robert James		Petitioner	Civil	Closed	01/08/2013	01/28/2013
<a href="#">55D01-9905-DR-000246</a>	Ward, James Albert, Jr.		Respondent	Civil	Closed	05/28/1999	12/14/1999
<a href="#">55D02-1703-DN-000575</a>	Wessler, James Robert, Jr.		Respondent	Civil	Closed	03/31/2017	06/25/2018
<a href="#">55C01-0707-MF-000556</a>	Wessler, James Robert, Jr.		Defendant	Civil	Closed	07/05/2007	08/15/2007

Case Details	Name	Birth Date	Role	Type	Status	File Date	Disposition Date
<a href="#">55D01-9802-DR-000054</a>	White, James Robert, Jr.		Respondent	Civil	Closed	02/05/1998	10/14/2014

The data or information provided is based on information obtained from Indiana Courts, Clerks, Recorders, and Department of Revenue, and is not to be considered or used as an official record. Doxpop, LLC, the Division of State Court Administration, the Indiana Courts and Clerks of Court, the Indiana Recorders, and the Indiana Department of Revenue: 1) Do not warrant that the information is accurate or complete; 2) Make no representations regarding the identity of any persons whose names appear in the information; and 3) Disclaim any liability for any damages resulting from the release or use of the information. The user should verify the information by personally consulting the official record maintained by the court, clerk, recorder or Department of Revenue.

Copyright © 2002-2024 Doxpop, Ilc. All Rights Reserved